

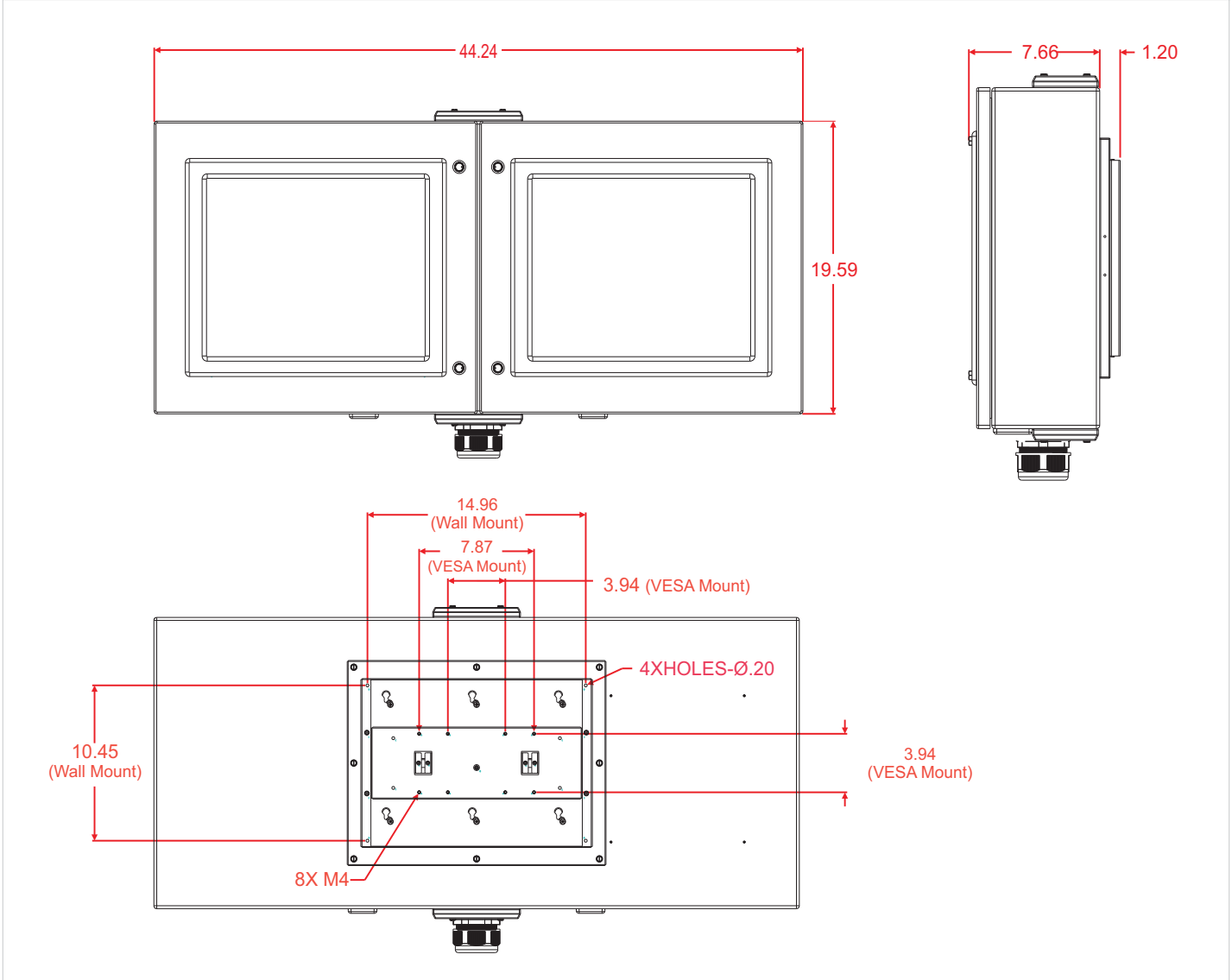
Features

- ▶ Active Matrix 2 x 19 inch TFT LCD Display
- ▶ Native Resolution at 1280 x 1024
- ▶ 5 Wire Resistive Touch Screen
- ▶ NEMA 4X stainless steel full closed enclosure
- ▶ Fanless Cooling
- ▶ ACP version available


AMA-7229AX


- 1 ARP 1700 Series
- 2 ARP 2200 Series
- 3 ARP 3600 Series
- 4 ARP 5500AX Series
- 5 ADM 1500 Series
- 6 ADM 1800 Series
- 7 ADM 5800 Series
- 8 ARD 1000
- 9 Box PC
- 10 AMA Series
- 11 AMS Series
- 12 AVW Series
- 13 Thin Clients
- 14 MPC Series
- 15 RS Series

Specifications	AMA-7229AX-A00	AMA-7229AX-D00
LCD Display		
Display Size (Diagnol)	2 x 19 inch	2 x 19 inch
Resolution	1280 x 1024	1280 x 1024
Backlight Lifetime (Hours)	50,000	50,000
Visual Characteristics		
Colors	16 Million	16 Million
Aspect ratio	4:3	4:3
Viewing angle (V/H)	178° / 178°	178° / 178°
Response time(Typical)	20 ms	20 ms
Pixel Pitch(mm)	0.294 x 0.294	0.294 x 0.294
Contrast ratio	700:1	700:1
Brightness	300 nits	300 nits
Touch Screen		
Technology	5 Wire Resistive	5 Wire Resistive
Touch rating	35 Million Touches	35 Million Touches
MTBF	490,000 hours	490,000 hours
Interface	RS-232	RS-232
Driver	WinXP Pro, XPe	WinXP Pro
Front Bezel		
NEMA 4	N/A	N/A
NEMA 4x	Stainless Steel	Stainless Steel
System		
CPU	VIA 1.5GHz C7 CPU	Core 2 Duo Mobile
Chipset	VIA CN 700	GME965 + ICH8M
Memory	Up to 1GB	Up to 4GB
Video Controller	CN 700 Integrated S3 Graphic Engine	GME965 GMA X3100
Video Interface	VGA	VGA, DVI
Storage Option	2.5"SATA HDD	2.5"SATA HDD
Compact Flash	Optional CF	Optional CF
Keyboard/Mouse	2 x PS/2 Connectors	2 x PS/2 Connectors
Audio	Line in, Line Out, MIC-In	Line in, Line Out, MIC-In
Watchdog Timer	Programmable 1 - 255 sec	Programmable 1 - 255 sec
Expansion Slot	1 x PCI	1 x PCI
I/O Communication		
USB Port	4 x USB 2.0	4 x USB 2.0
Serial Port	5 x RS-232, 1 x RS-232/422/485	5 x RS-232, 1 x RS-232/422/485
IEEE 1394	N/A	2 x IEEE 1394B (Optional)
LAN	Dual Gigabit LAN	Dual Gigabit LAN
Parallel	1 x Port	1 x Port
OS Support		
OS Support	WinXP Pro, XPe	WinXP Pro
Power/Thermal Specs.		
Power Requirement (Max)	120VAC/0.775A, 24VDC/3.8A	120VAC/0.96A, 24VDC/4.8A
Power Consumption (Max)	113W	135W
Heat Dissipation	385 BTU/hr	459 BTU/hr
Physical Information		
Mounting		
Net Weight		
Physical Dimension (WxHxD)		
Cutout Dimension (WxH)		
Environmental		
Operating Temp	0° - 50° C (32° - 122° F)	0° - 50° C (32° - 122° F)
Storage Temp	-20° - 60° C (-4° - 140° F)	-20° - 60° C (-4° - 140° F)
Relative Humidity	0% - 95% (non-condensing)	0% - 95% (non-condensing)
Rating	NEMA 4/4X	NEMA 4/4X
Certification		

AMA-7229 Series Line Drawing

Ordering Information

AMA-7229AX-A00	AMA-7229AX-A00-000	AMA-7229AX-A00-001	AMA-7229AX-A00-002	AMA-7229AX-A00-003
LCD Display	2 x 19 inch	2 x 19 inch	2 x 19 inch	2 x 19 inch
Touch Screen	5-Wire Resistive	5-Wire Resistive	5-Wire Resistive	5-Wire Resistive
CPU	VIA 1.5 GHz C7	VIA 1.5 GHz C7	VIA 1.5 GHz C7	VIA 1.5 GHz C7
Memory	1 GB DDR	1 GB DDR	1 GB DDR	1 GB DDR
Enclosure	Black Colour	Black Colour	Black Colour	Black Colour
Power Supply	DC 24V Input	110/220 VAC Input	DC 24V Input	110/220 VAC Input
ACP Enabled	N/A	N/A	Yes	Yes
Storage	160GB 2.5" SATA HDD	160GB 2.5" SATA HDD	N/A	N/A

AMA-7229AX-D00	AMA-7229AX-D00-000	AMA-7229AX-D00-001	AMA-7229AX-D00-002	AMA-7229AX-D00-003
LCD Display	2 x 19 inch	2 x 19 inch	2 x 19 inch	2 x 19 inch
Touch Screen	5-Wire Resistive	5-Wire Resistive	5-Wire Resistive	5-Wire Resistive
CPU	1.83GHz Core 2 Duo Mobile	1.83GHz Core 2 Duo Mobile	1.83GHz Core 2 Duo Mobile	1.83GHz Core 2 Duo Mobile
Memory	2GB DDR2-667	2GB DDR2-667	2GB DDR2-667	2GB DDR2-667
Enclosure	Stainless Steel	Stainless Steel	Stainless Steel	Stainless Steel
Power Supply	DC 24V Input	110/220 VAC Input	DC 24V Input	110/220 VAC Input
ACP Enabled	N/A	N/A	Yes	Yes
Storage	160GB 2.5" SATA HDD	160GB 2.5" SATA HDD	N/A	N/A