

Features

- Fit 100mm x 100mm and 75mm x 75mm Desktop VESA stand
- 180° of base swivel and 90° of screen rotation
- Enclosed rear wiring channel with 10 wire clips
- 2 inches of verticle adjustment (only DS-100)
- Heavy duty spring loaded action



DS-75

DS-100

DS-Series Specifications

DS-75 VESA Stand

Chassis Material	ABS plastic case on metal frame
Mounting	4 hole 75mm VESA pattern
Dimensions (L x W x H)	11.417 x 11.077 x 7.913 inch 290.0 x 281.36 x 201.0 mm
Height Adjustable	No
Base Swivel	180°
Screen Rotation	90°
Cable Management	Removable cover w / 8 wire clips

DS-75 Model Applications

ADM Series	ADM 1512AP ADM 1815BP ADM 1517AP
ARP 1700 Series	ARP 1715BP-108A/K ARP 1717AP-108A/K ARP 1719AP-108A/K ARP1720AP-108A/K
BoxPC Series	BoxPC 108A BoxPC 108K

DS-100 VESA Stand

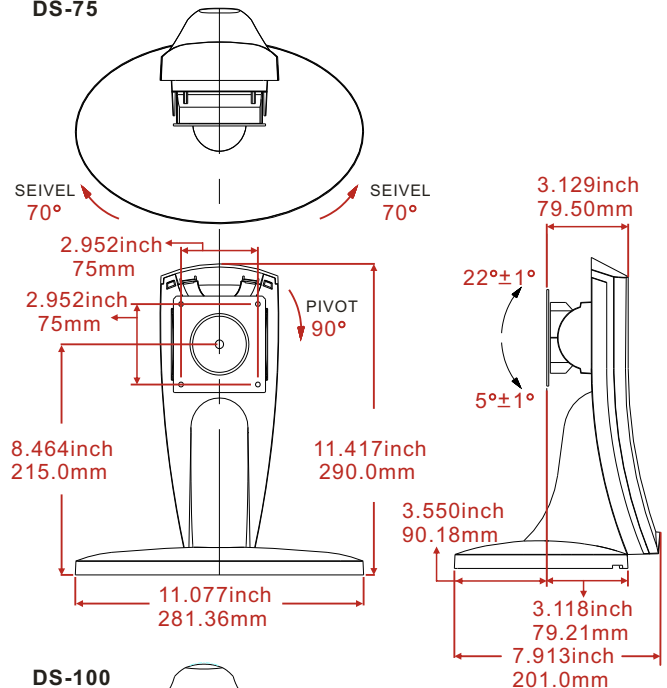
Chassis Material	ABS plastic case on metal frame
Mounting	4 hole 100mm VESA pattern
Dimensions (L x W x H)	14.96 x 13.055 x 9.876 inch 380.0 x 331.62 x 250.86 mm
Height Adjustable	Yes
Base Swivel	180°
Screen Rotation	90°
Cable Management	Removable cover w / 10 wire clips

DS-100 Model Applications

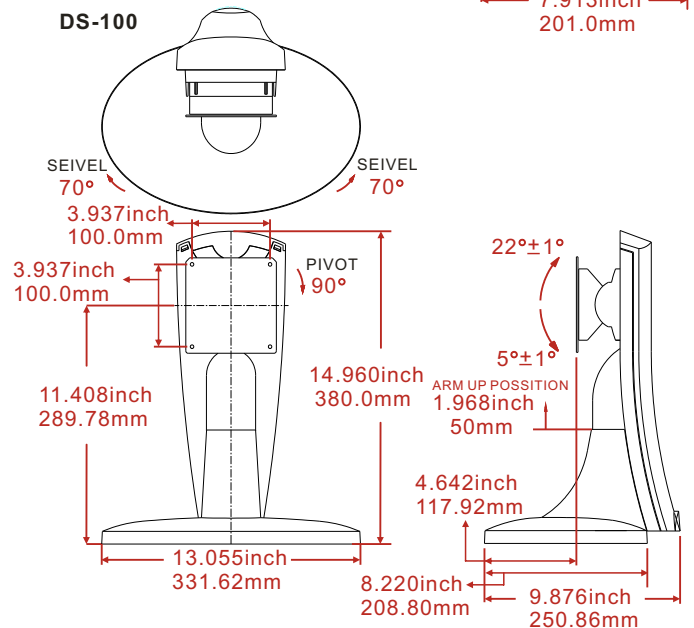
ADM Series	ADM 1815BP ADM 1517AP ADM 1817AP ADM 1519AP ADM 1819AP ADM 1820AP
ARP 1700 Series	ARP 1715BP-108A/K ARP 1717AP-108A/K ARP 1719AP-108A/K ARP1720-108A/K
Fanless Panel PC's	ARP 2015BP-CO2 ARP 2215 ARP 2217 ARP 2219
BoxPC Series	BoxPC 108A BoxPC 108K

DS-Series Line Drawing

DS-75



DS-100



Ordering Information

Item	Description
DS - 75 :	75 mm VESA pattern desktop stand
DS - 100 :	100 mm VESA pattern desktop stand with vertical adjustment