

### Features

- > Fanless Design
- > Meets IP50 rating requirements
- > Supports Intel Core 2 Duo Mobile CPU
- > Supports DDR2-667 Memory up to 4GB
- > Dual Gigabit Ethernet
- > 1 x VGA, 1 x DVI display output
- > Dual field-removable 2.5" SATA HDD
- > 2 x PCI expansion slots
- > Built-in dual IEEE 1394B



### BoxPC-238D Specifications

#### System

CPU	Core 2 Duo Mobile
Chipset	GME965+ICH8M
Memory	DDR2-667 up to 4GB
Display	GME965 GMA X3100
VRAM	DVMT 4.0 up to 384MB video memory
Storage Option	UP to 2 x 2.5" SATA HDD, RAID 0/1 support
Compact Flash	Type II CF Slot
Keyboard/Mouse	2 x PS / 2 connectors
Audio	Line in, Line Out, Mic-In
Watchdog Timer	Programmable 1~255 sec
Expansion Slot	2 x PCI

#### I/O Communication

USB Port	4 x USB 2.0
Serial Port	3 x (RS-232), 1 x (RS-232/422/485)
IEEE 1394	2 x IEEE1394B
LAN	Dual Gigabit LAN
Parallel	N/A

#### OS Support

OS Support	WinXP Pro
------------	-----------

#### Power/Thermal Specs.

Power Requirement ( Max )	24VDC / 4.6A
Power Consumption ( Max )	110 W
Heat Dissipation	375 BTU/hr

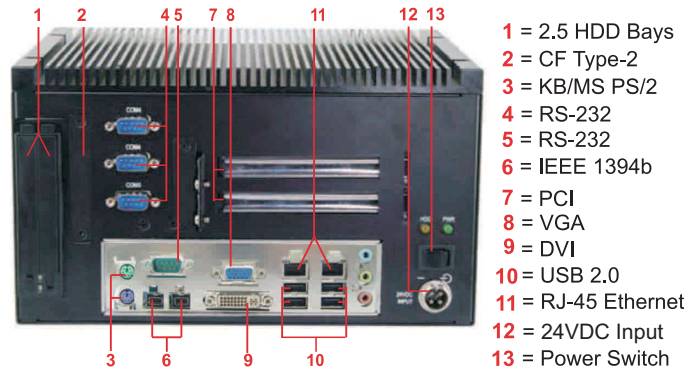
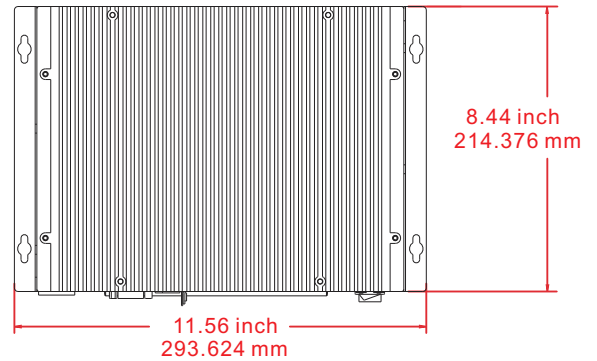
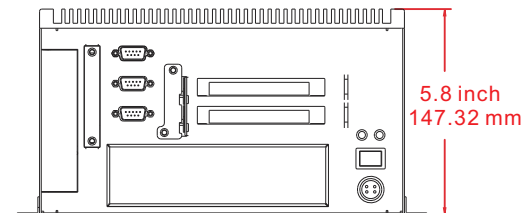
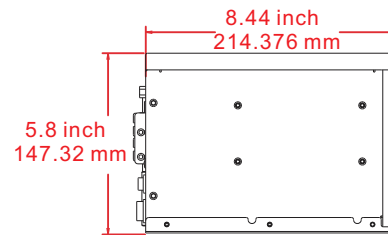
#### Physical Information

Mounting	Wall Mount
Net Weight	
Physical Dimension (L x W x H)	11.56 x 8.44 x 5.8 inch 293.624 x 214.376 x 147.32 mm

#### Environmental

Operating Temp	0° ~ 50°C ( 32° ~ 122°F )
Storage Temp	-20° ~ 60°C ( -4° ~ 140°F )
Relative Humidity	0% ~ 95% ( non-condensing )
Rating	IP50
Certification	

### BoxPC-238D Line Drawing



### Features

- > Fanless Design
- > Meets IP50 rating requirements
- > VIA 1.5 GHz C7 CPU
- > Supports DDR-400 Memory up to 1GB
- > Dual Gigabit Ethernet
- > 1 x VGA display output
- > 1 x PCI expansion slot
- > Capable to support up to 3 x monitors



VGA output



4x USB 2.0



6x RS-232



Fanless Cooling



Low Heat



Protection against dust



### BoxPC-140A Specifications

#### System

CPU	VIA 1.5GHz C7 CPU
Chipset	VIA CN700
Memory	DDR-400 up to 1GB
Display	CN700 Integrated S3 Graphic Engine
VRAM	Up to 64MB share with system
Storage Option	1 x 2.5" SATA HDD(Optional)
Compact Flash	Type II CF Slot
Keyboard/Mouse	2 x PS / 2 connectors
Audio	Line in, Line Out, Mic-In
Watchdog Timer	Programmable 1~255 sec
Expansion Slot	1 x PCI

#### I/O Communication

USB Port	4 x USB 2.0
Serial Port	5 x (RS-232), 1 x (RS-232/422/485)
IEEE 1394	N/A
LAN	Dual Gigabit LAN
Parallel	1 x Port

#### OS Support

OS Support	WinXP Pro, XPe
------------	----------------

#### Power/Thermal Specs.

Power Requirement ( Max )	24VDC / 2.7A
Power Consumption ( Max )	65 W
Heat Dissipation	221 BTU/hr

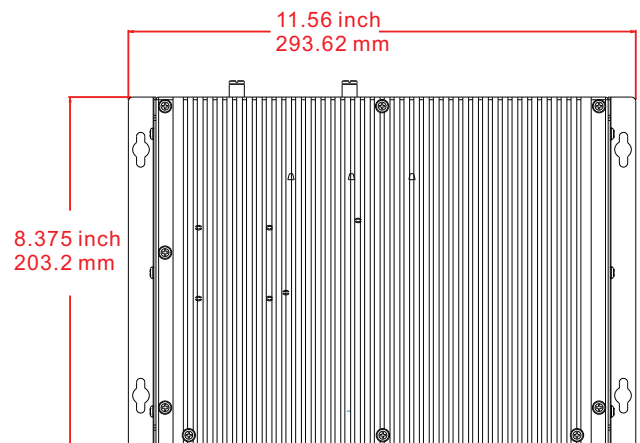
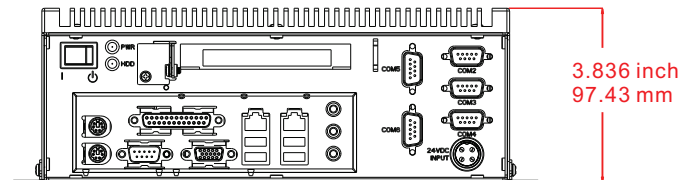
#### Physical Information

Mounting	Wall Mount
Net Weight	
Physical Dimension (L x W x H)	11.56 x 8.375 x 3.836 inch 293.62 x 203.2 x 97.43 mm

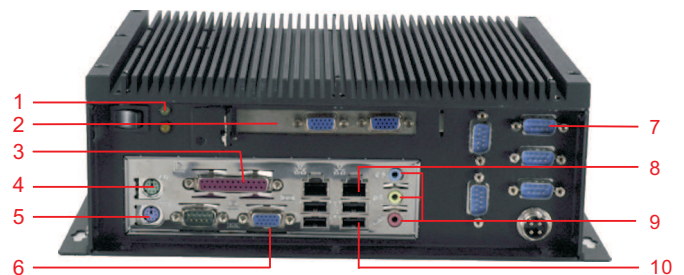
#### Environmental

Operating Temp	0° ~ 50°C ( 32° ~ 122°F )
Storage Temp	-20° ~ 60°C ( -4° ~ 140°F )
Relative Humidity	0% ~ 95% ( non-condensing )
Rating	IP50
Certification	

### BoxPC-140A Line Drawing



- 1 = LED
- 2 = PCI
- 3 = Parallel Port
- 4 = PS2/Mouse
- 5 = PS2/Keyboard
- 6 = RS-232
- 7 = RS-232
- 8 = RJ-45 Ethernet
- 9 = Audio
- 10 = USB 2.0



### Features

- > Fanless Design
- > Meets IP50 rating requirements
- > VIA 1.5 GHz C7 CPU
- > Supports DDR-400 Memory up to 1GB
- > Dual Gigabit Ethernet
- > 1 x VGA display output
- > 2 x PCI expansion slots
- > Capable to support up to 5 x monitors



### BoxPC-240A Specifications

#### System

CPU	VIA 1.5GHz C7 CPU
Chipset	VIA CN 700
Memory	DDR-400 up to 1GB
Display	CN700 Integrated S3 Graphic Engine
VRAM	Up to 64MB share with system
Storage Option	1 x 2.5" SATA HDD(Optional)
Compact Flash	Type II CF Slot
Keyboard/Mouse	2 x PS / 2 connectors
Audio	Line in, Line Out, Mic-In
Watchdog Timer	Programmable 1~255 sec
Expansion Slot	2 x PCI

#### I/O Communication

USB Port	4 x USB 2.0
Serial Port	5 x (RS-232), 1 x (RS-232/422/485)
IEEE 1394	N/A
LAN	Dual Gigabit LAN
Parallel	1 x Port

#### OS Support

OS Support	WinXP Pro, XPe
------------	----------------

#### Power/Thermal Specs.

Power Requirement ( Max )	24VDC / 3.0A
Power Consumption ( Max )	70 W
Heat Dissipation	238 BTU/hr

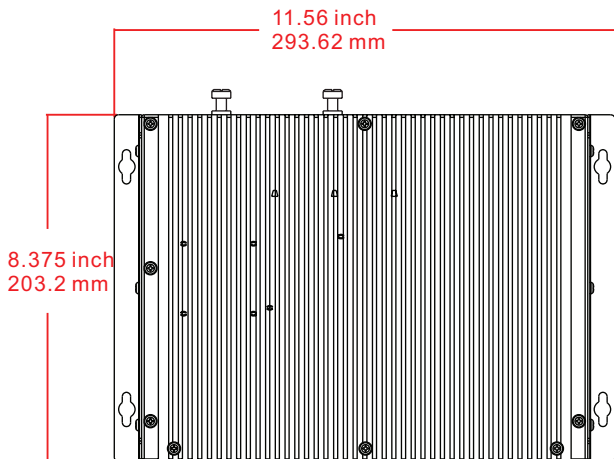
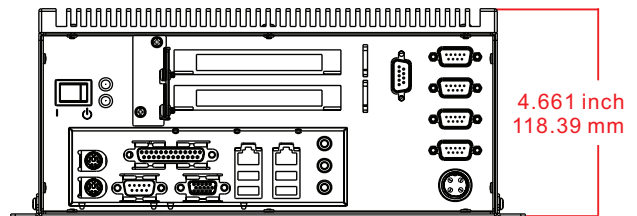
#### Physical Information

Mounting	Wall Mount
Net Weight	
Physical Dimension (L x W x H)	11.56 x 8.375 x 4.661 inch 293.62 x 203.2 x 118.39 mm

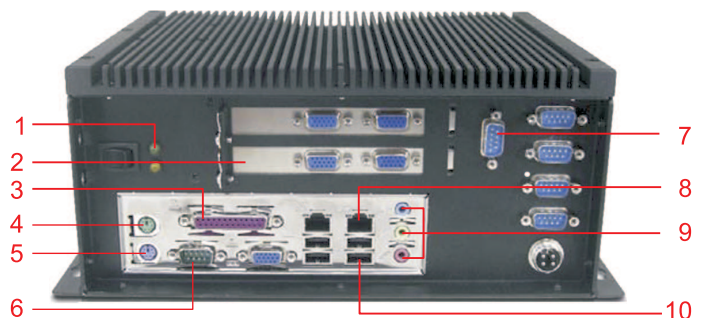
#### Environmental

Operating Temp	0°C ~ 50°C ( 32°F ~ 122°F )
Storage Temp	-20°C ~ 60°C ( -4°F ~ 140°F )
Relative Humidity	0% ~ 95% ( non-condensing )
Rating	IP50
Certification	

### BoxPC-240A Line Drawing

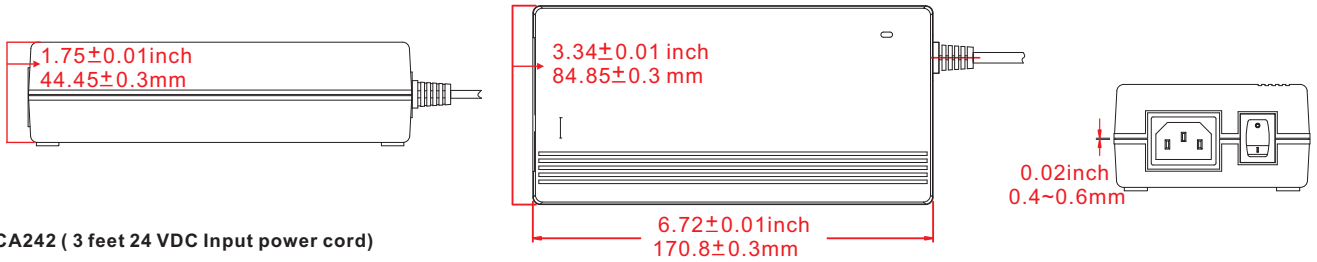


- 1 = LED
- 6 = RS-232
- 2 = PCI
- 7 = RS-232
- 3 = Parallel Port
- 8 = RJ-45 Ethernet
- 4 = PS2/Mouse
- 9 = Audio
- 5 = PS2/Keyboard
- 10 = USB 2.0

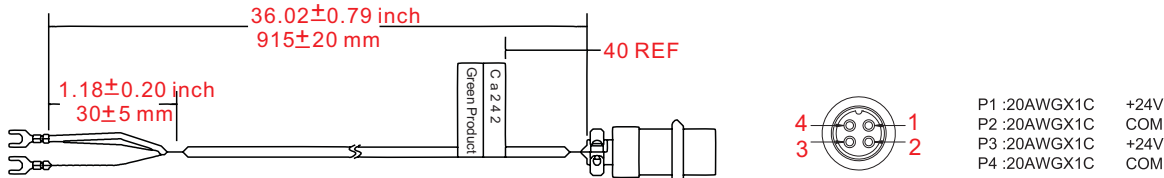


### Box-238D Series Power Supply

Model : PSA-150A-024 (110~220 VAC Input, 24VDC Output power supply )

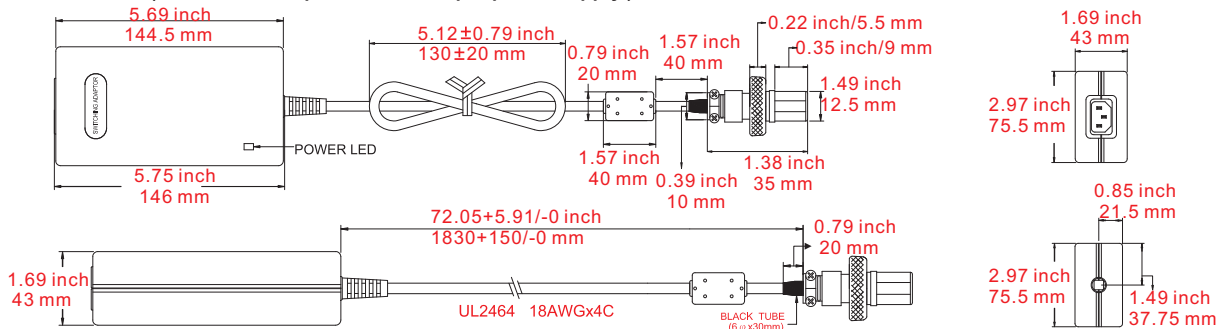


Model : CA242 ( 3 feet 24 VDC Input power cord )

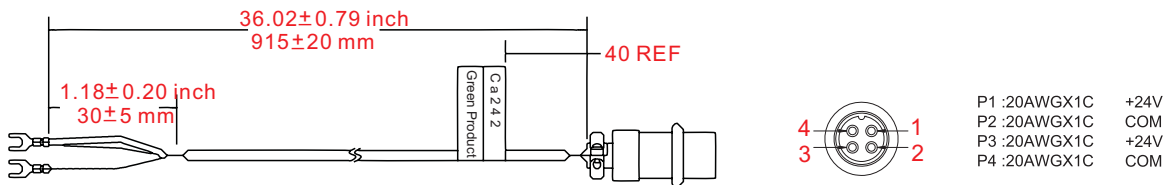


### BoxPC-140A/240A Power Supply

Model:PSA-066A-024 (110~220 VAC Input, 24 VDC Output power supply )



Model : CA242 (3 feet 24 VDC Input power cord )



### Ordering Information

	Standard		ACP Enabled	
	BoxPC-140A-A00-000	BoxPC-140A-A00-001	BoxPC-140A-A00-002	BoxPC-140A-A00-003
<b>BoxPC-140A</b>				
CPU	VIA 1.5GHz C7			
Memory	1 GB DDR			
Storage	160GB 2.5" SATA HDD	160GB 2.5" SATA HDD	N/A	N/A
PCI Slot	1	1	N/A	N/A
VGA Output	1	1	3	3
Power Supply	DC 24V Input	110 / 220 VAC Input	DC 24V Input	110 / 220 VAC Input
ACP Enabled	N/A	N/A	Yes	Yes
<b>BoxPC-240A</b>				
CPU	VIA 1.5GHz C7			
Memory	1 GB DDR			
Storage	160GB 2.5" SATA HDD	160GB 2.5" SATA HDD	N/A	N/A
PCI Slot	2	2	N/A	N/A
VGA Output	1	1	5	5
Power Supply	DC 24V Input	110/220VAC Input	DC 24V Input	110/220VAC Input
ACP Enabled	N/A	N/A	Yes	Yes
<b>BoxPC-238D</b>				
CPU	1.83 GHz Core 2 Duo Mobile			
Memory	2 GB DDR2-667			
Storage	160GB 2.5" SATA HDD	160GB 2.5" SATA HDD	N/A	N/A
PCI Slot	2	2	N/A	N/A
VGA Output	1	1	5	5
DVI Output	1	1	1	1
Power Supply	DC 24V Input	110 / 220 VAC Input	DC 24V Input	110 / 220 VAC Input
ACP Enabled	N/A	N/A	Yes	Yes

### Accessories Options

Accessories	Description
XP Pro :	Windows XP Pro Operating System
XPe :	Windows XP Embedded Operating System
CA242 :	3 feet 24 VDC Input power cord
PSA-150A-024 :	110~220VAC Input, 24 VDC Output 150W Power Adaptor
APM-004 :	PSA-150A-024 Power Adaptor Mounting Bracket