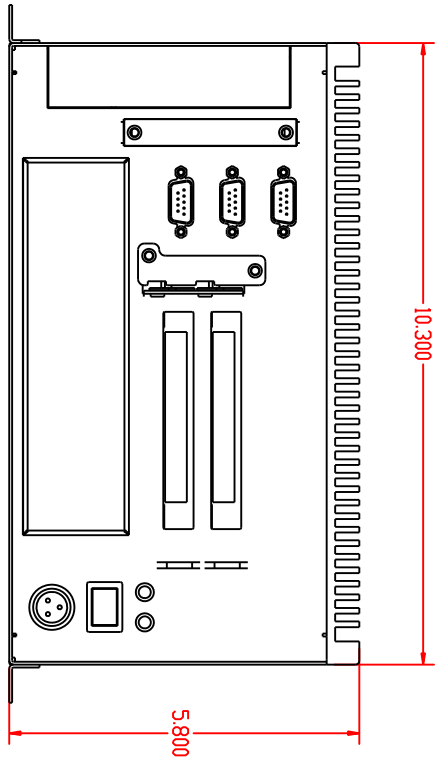
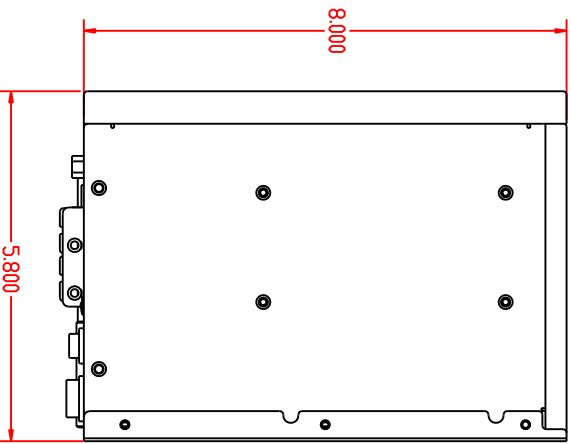
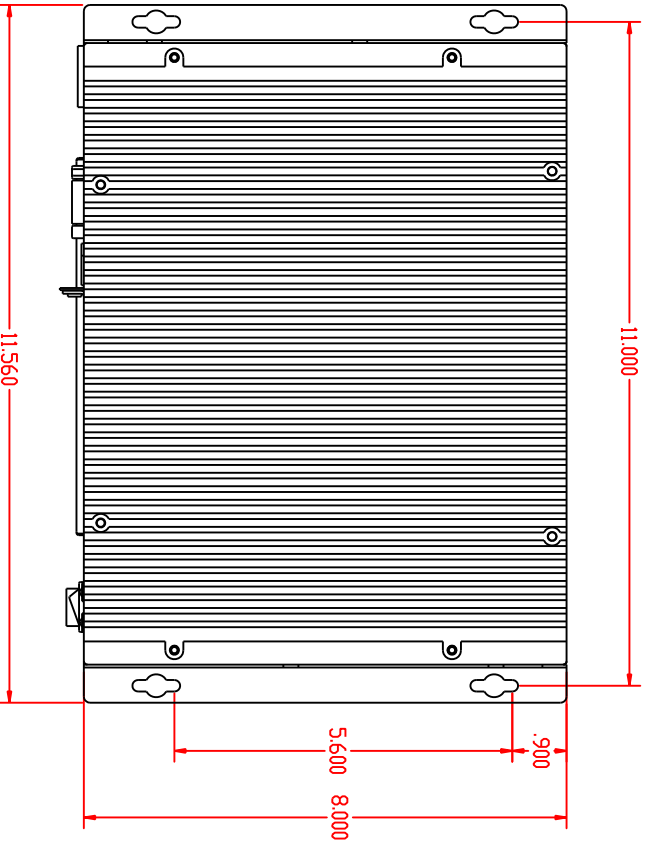


PARTS LIST		Part Number
ITEM	DESCRIPTION	
017		



SCALE: 1:100

REV	DATE	DESCRIPTION	BY	APP/CHK'D

The information disclosed on this drawing is the property of ARISTA CORPORATION. Reproduction, disclosure, or the use of this document without the written permission of ARISTA CORPORATION is prohibited.

UNLESS OTHERWISE SPECIFIED DIMENSIONS ARE IN INCHES DIMENSIONS ARE TO CENTER UNLESS NOTED OTHERWISE	TITLE ARISTA CORPORATION 4180 River Rd., Fremont, CA 94538 ASM, BOX-C-238
DESIGNER ANGELA L. JIN	DATE 02/07/06
CHECKED ANGELA L. JIN	SCALE 1:100
REVISION	SCALE 1:100
	REV ARAJ350AV