

Features

- > Fanless Design
- > Meets IP50 rating requirements
- > Supports 3rd Generation Intel® Core™ Processor
- > Support DDR 3-1600 Memory to 16 GB
- > Dual Gigabit Ethnet
- > 1xHDMI, 1xDVI, 1xDisplay port
- > 2.5" SATA HDD
- > 1xPCIe expansion slots



Fanless



HDMI Output



DVI Output



6x USB



5x RS-232

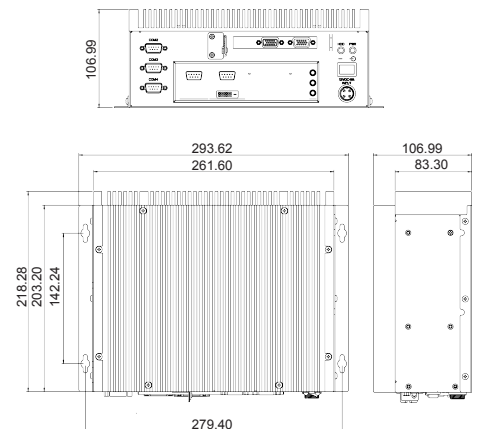
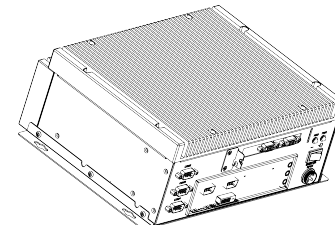
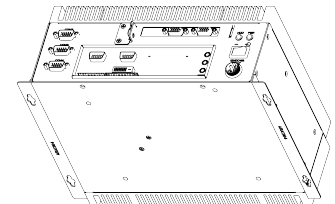


2x Gigabit



Protection against dust



Specifications	BoxPC-138G	Line Drawing	
System			
CPU	i7-3630QM	  	
Chipset	QM77		
Memory	DDR3-1600 8GB		
Video Controller	Intel HD Graphics (by CPU)		
Video Interface	HDMI, DVI, Display port		
Storage Option	1 x 2.5" SATA HDD		
Compact Flash	N/A		
Keyboard/Mouse	1 x PS / 2 connectors		
Audio	Line in, Line Out, Mic-In		
Watchdog Timer	Programmable 1 - 255 sec		
Expansion Slot	1 x PCIe x16		
I/O Communication			
USB Port	4 x USB 2.0, 2 x USB 3.0		
Serial Port	3 x (RS-232), 2 x (RS-232/422/485)		
IEEE 1394	N/A		
LAN	Dual Gigabit LAN		
Parallel	N/A		
OS SUPPORT			
OS Support	Win XP Pro, Win 7		
Power/Thermal Specs.			
Power Requirement (Max)	24VDC 4.6A		
Power Consumption (Max)	110 W		
Heat Dissipation	375 BTU/hr		
Physical Information			
Mounting	Wall Mount		
Net Weight			
Physical Dimension (WxHxD)	293.62 x 218.28 x 106.69 mm 1.2 inch x 8.6 inch x 4.2 inch		
Environmental			
Operating Temp	0° - 50° C (32° - 122° F)		
Storage Temp	-20° - 60° C (-4° - 140° F)		
Relative Humidity	0% - 95% (non-condensing)		
Rating	IP50		
Certification	N/A		

