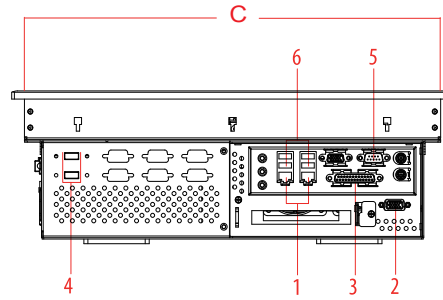
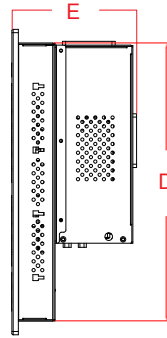
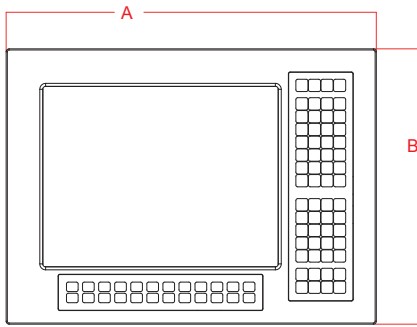


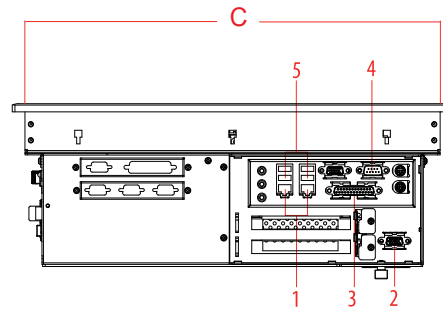
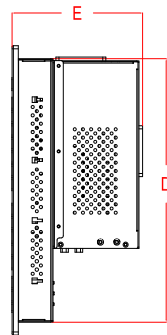
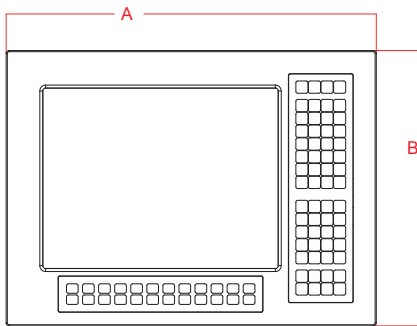
ARP-1715BW Series Line Drawing

ARP-1715 BW-108Q



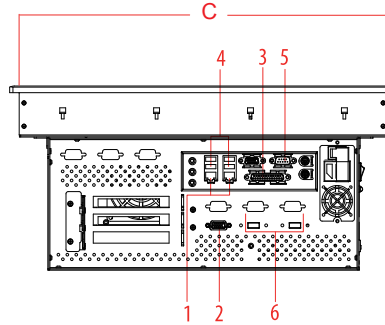
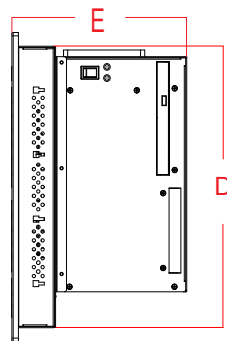
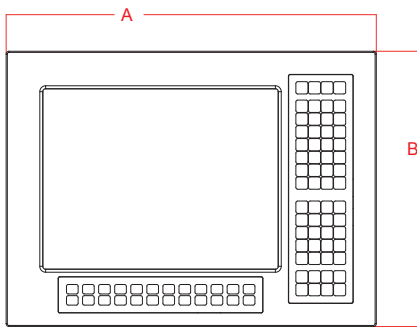
- 1 = RJ-45 Ethernet Ports
- 2 = VGA in
- 3 = Parallel Port
- 4 = USB
- 5 = RS-232
- 6 = USB

ARP-1715 BW-202Q



- 1 = RJ-45 Ethernet Ports
- 2 = VGA in
- 3 = Parallel Port
- 4 = RS-232
- 5 = USB

ARP-1715 BW-304Q



- 1 = RJ-45 Ethernet Ports
- 2 = VGA in
- 3 = Parallel Port
- 4 = USB
- 5 = RS-232
- 6 = USB

	ARP-1715 BW-108Q	ARP-1715 BW-202Q	ARP-1715 BW-304Q
A	19.00inch / 482.6mm	19.00inch / 482.6mm	19.00inch / 482.6mm
B	13.88inch / 352.6mm	13.88inch / 352.6mm	13.88inch / 352.6mm
C	16.93inch / 430.0mm	16.93inch / 430.0mm	16.93inch / 430.0mm
D	12.64inch / 321.1mm	12.64inch / 321.1mm	12.64inch / 321.1mm
E	5.77inch / 146.6mm	6.37inch / 161.8mm	8.00inch / 203.2mm