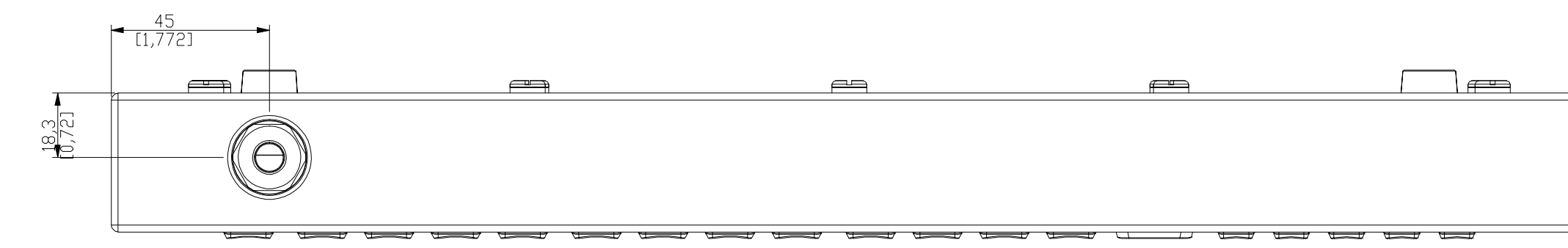
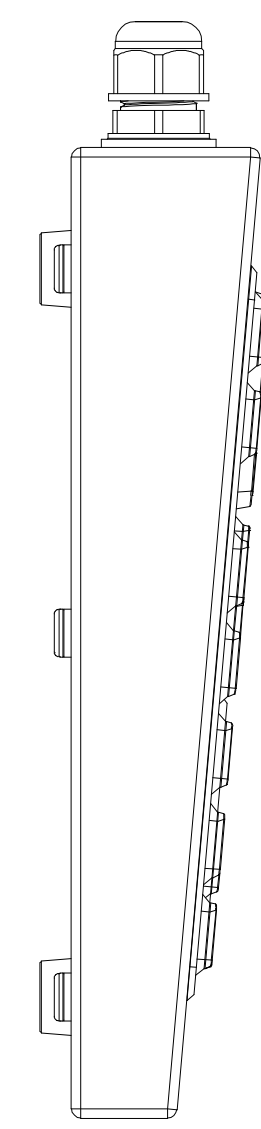
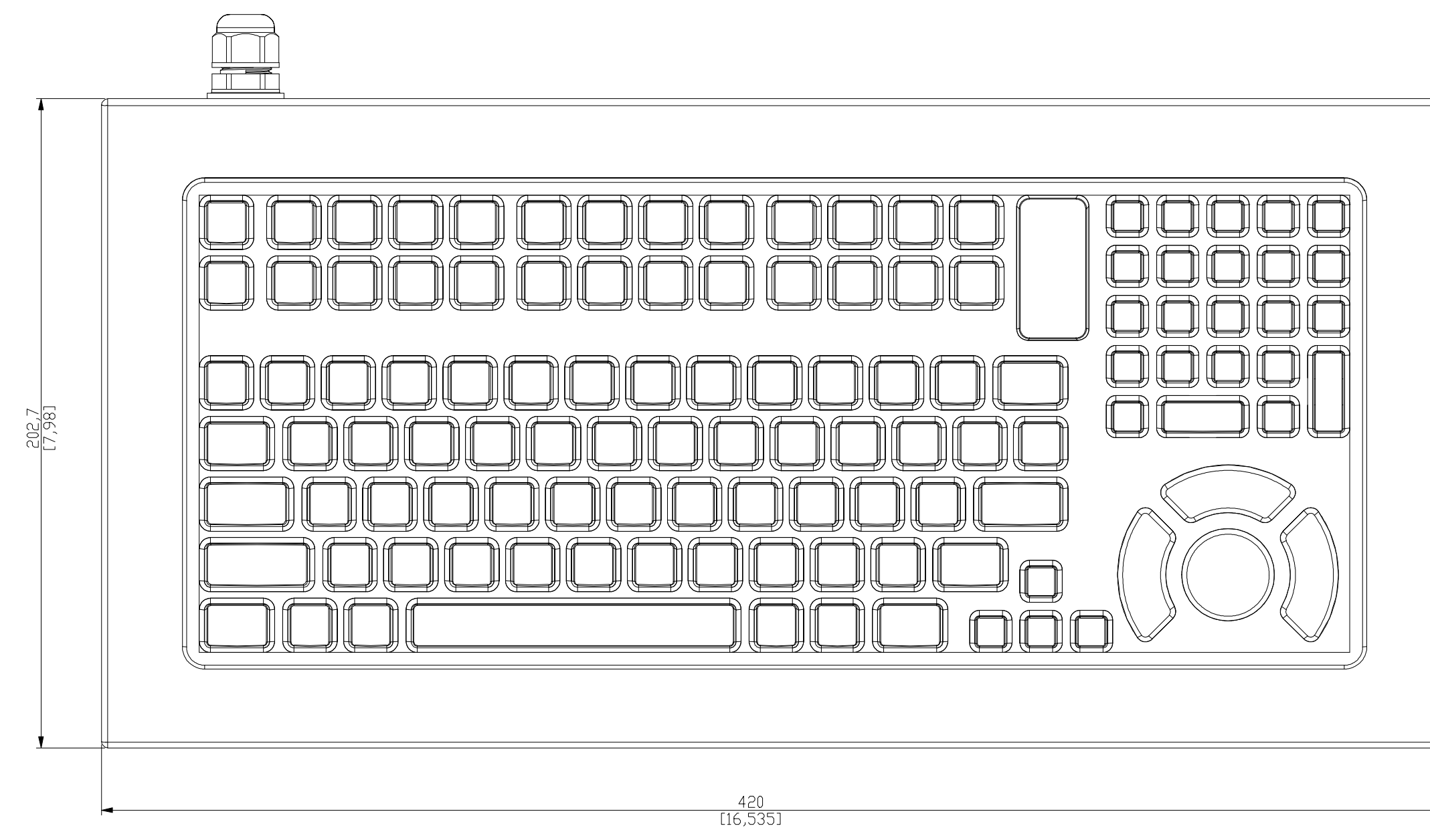
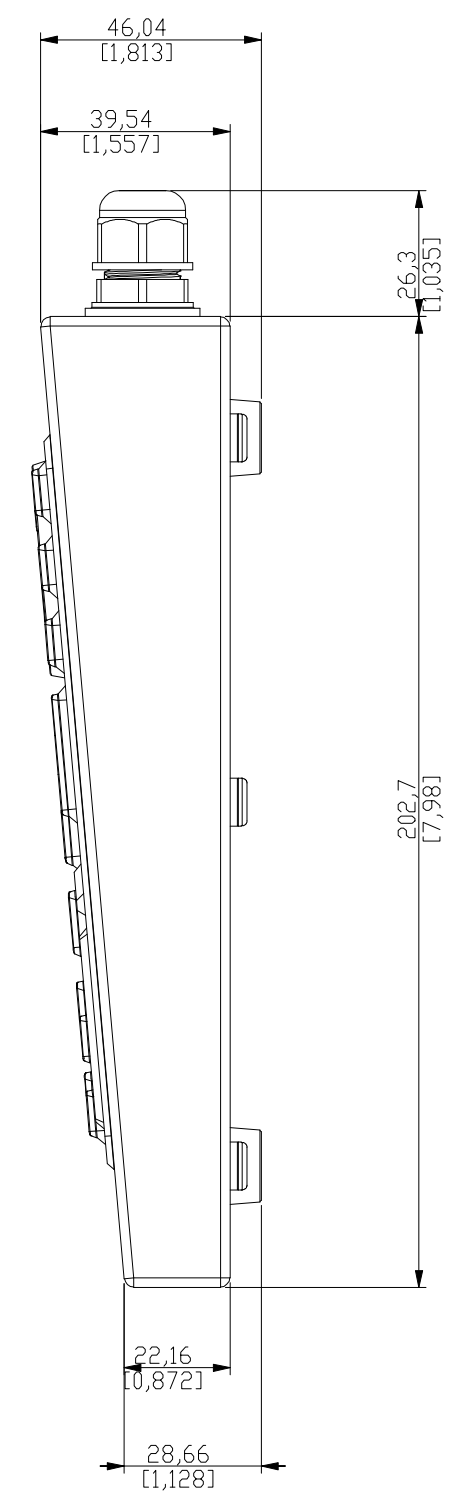
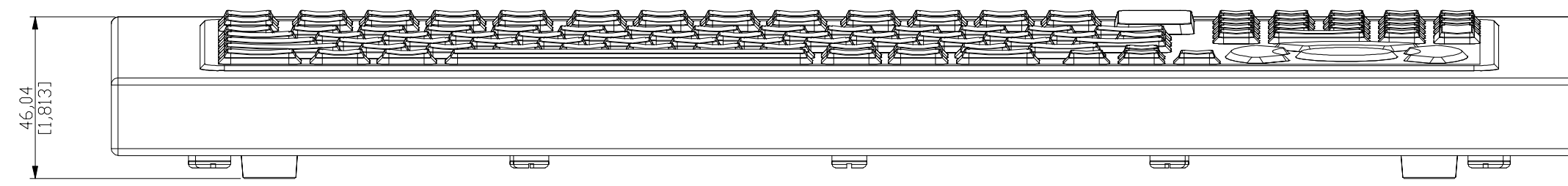
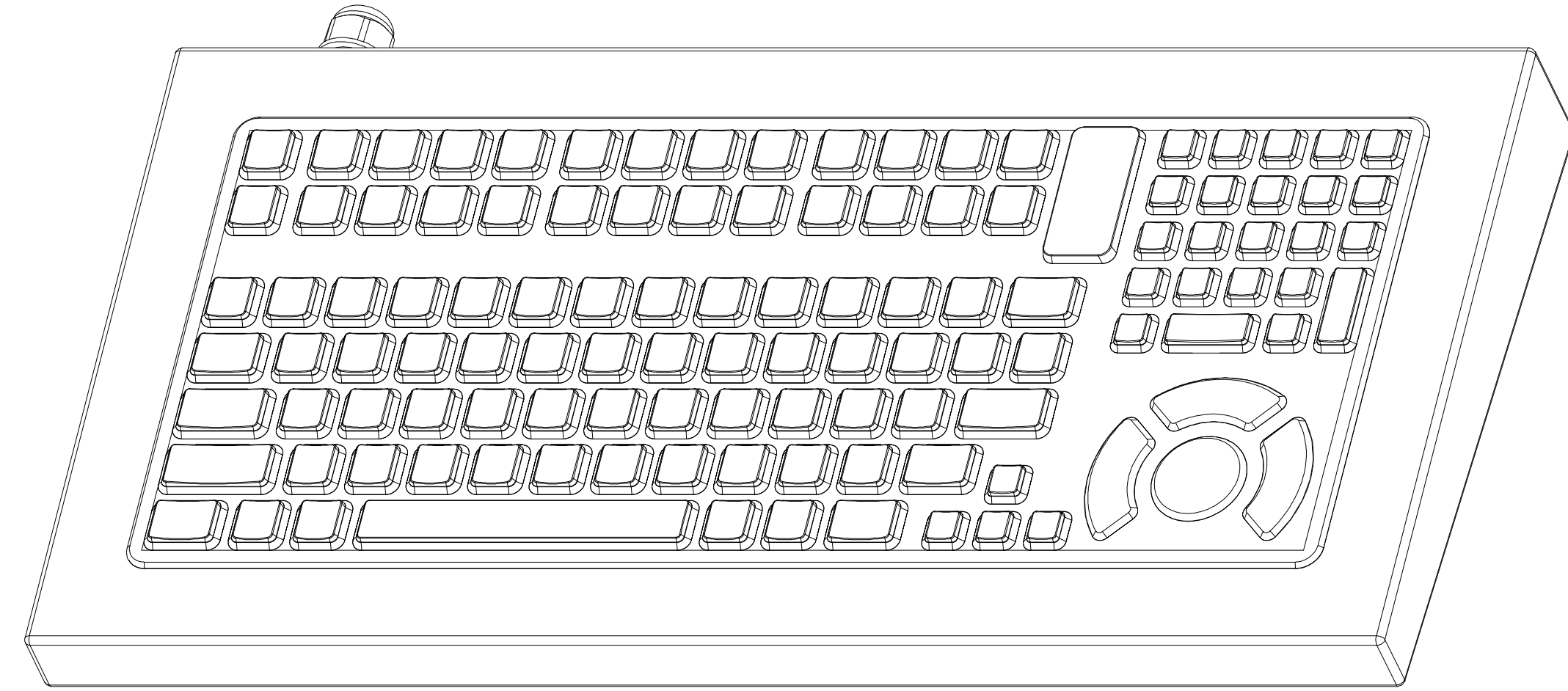


PARTS LIST			
ITEM	QTY	DESCRIPTION	P/N



The information disclosed on this document is the exclusive property of ARISTA CORPORATION. Reproduction, disclosure, or the use of this document or information without the written permission of ARISTA CORPORATION is prohibited.

TOLERANCES	A	B	C	REVISIONS		DATE	APPROVED
				ZONE	REV		
0-30mm	±0.1	±0.25	±0.4	ARISTA CORPORATION 4100 Bayce Rd, Fremont, CA 94538			
30-125mm	±0.15	±0.4	±0.5				
125-315mm	±0.2	±0.6	±0.6				
315mm	±0.3	±1.1	±2.5				
DRN				DATE			
CHECKED				SIZE	FROM NO.	ENG NO.	REV
DESIGN				E			
				SCALE	INV. NO.	SHEET	OF