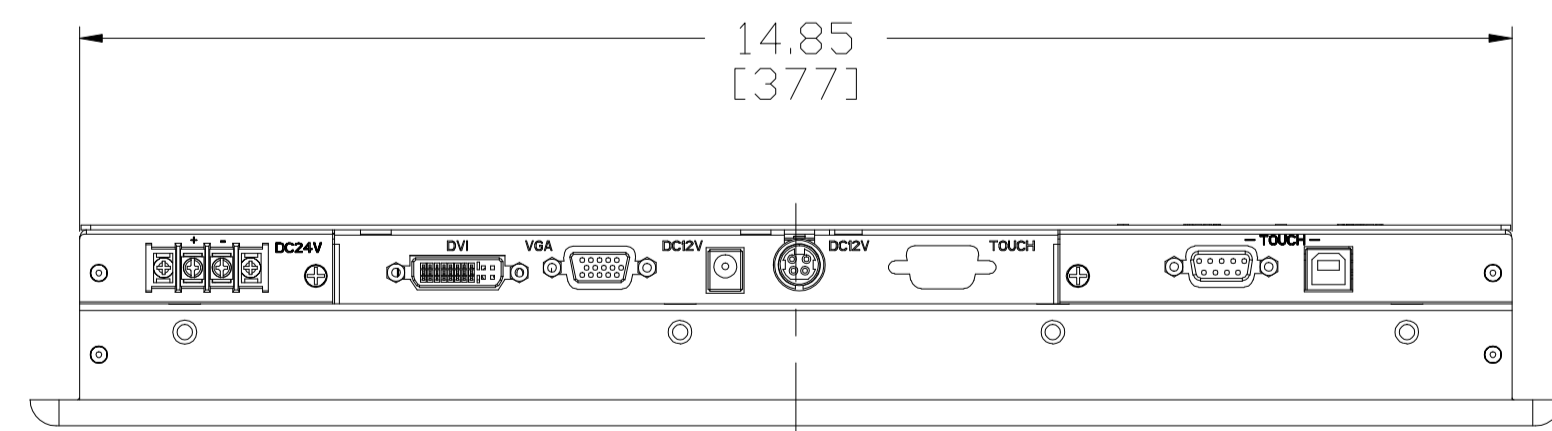
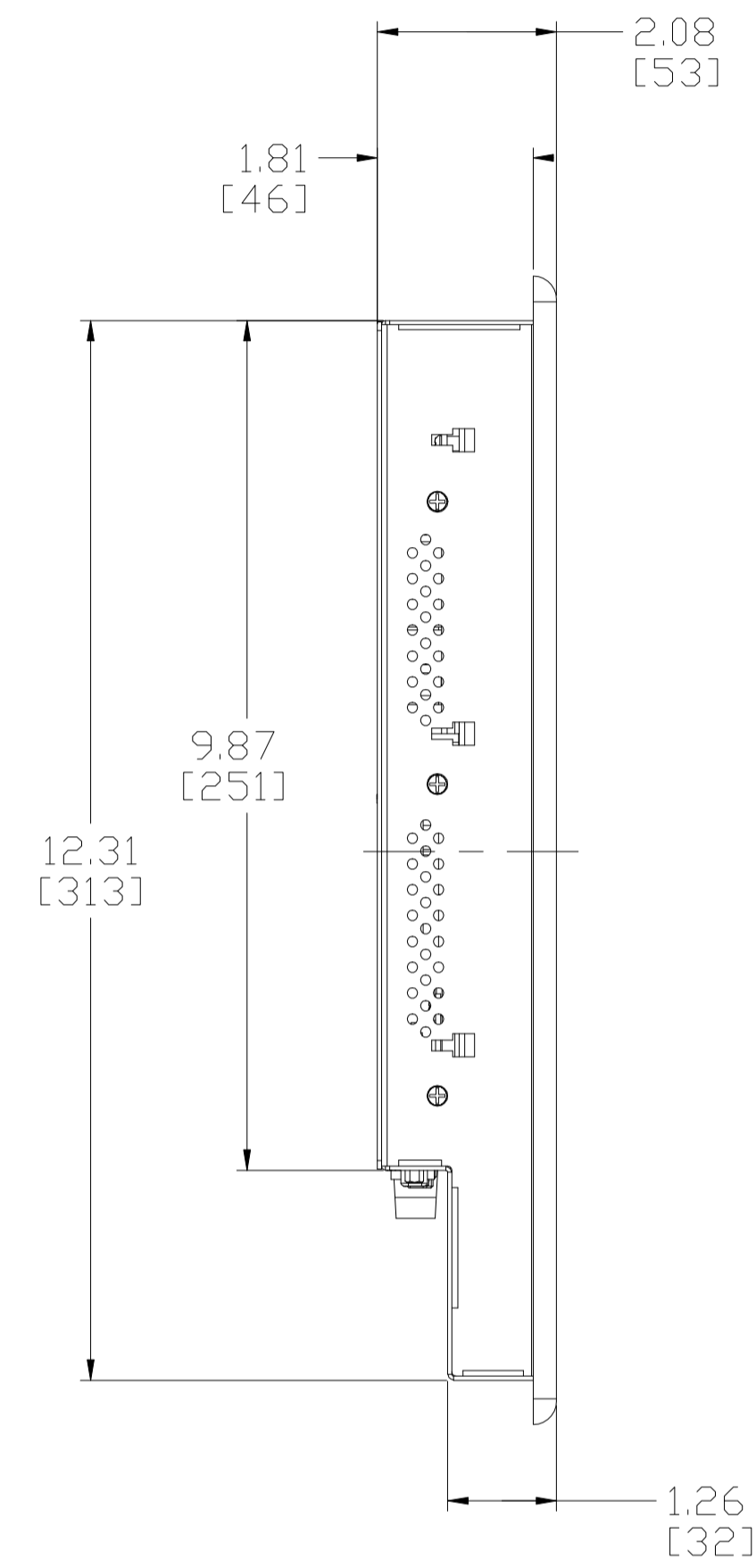
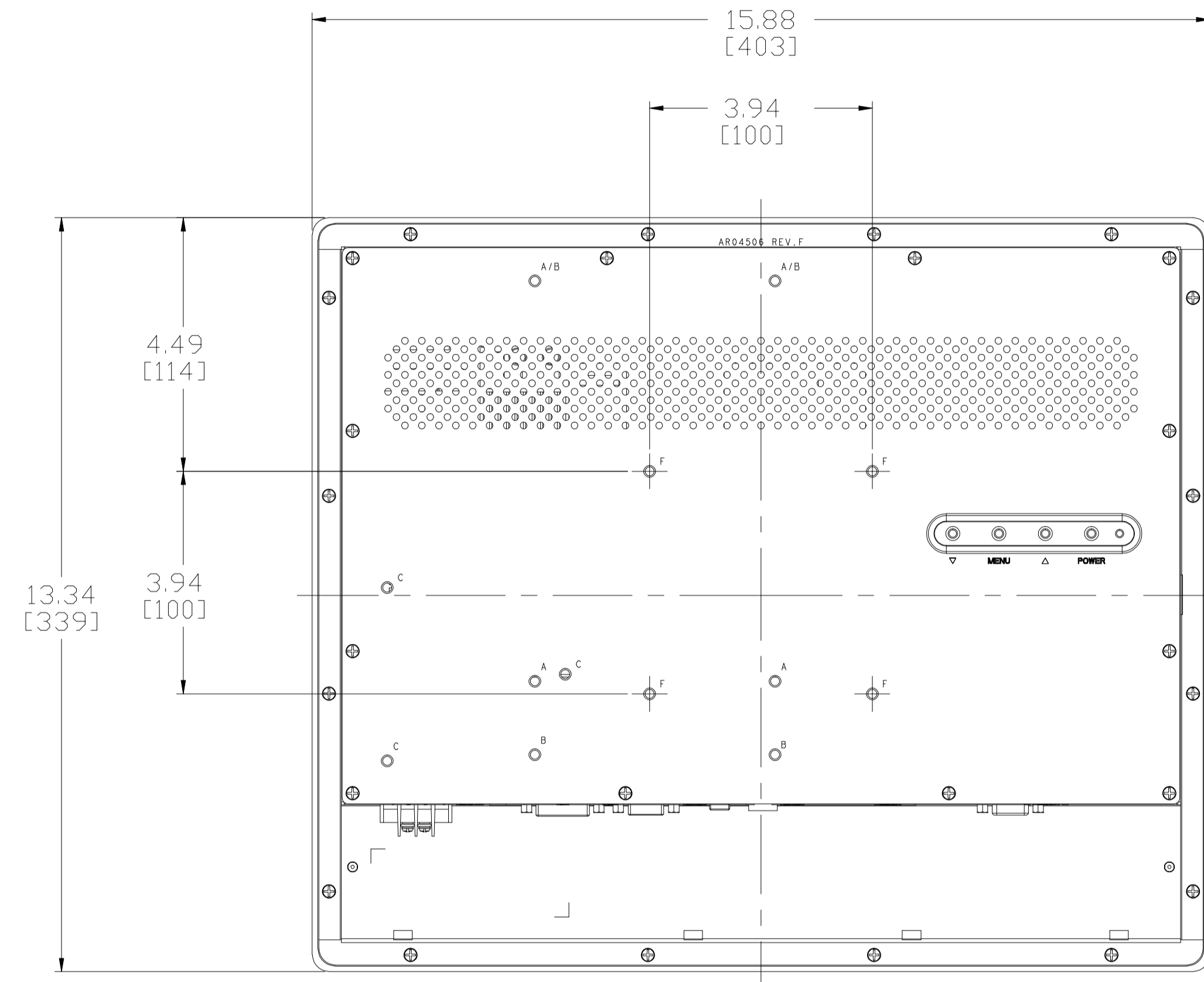


PARTS LIST			
ITEM	QTY	DESCRIPTION	P/N



ZONE	REV	DESCRIPTION	DATE	APPROVED
REVISIONS				

<p>The information disclosed on this document is the exclusive property of ARISTA CORPORATION. Reproduction, disclosure, or the use of this document or information without the written permission of ARISTA CORPORATION is prohibited.</p>			UNLESS OTHERWISE SPECIFIED: DIMENSIONS ARE IN INCHES TOLERANCES: DECIMALS      ANGULAR .XX    ±0.1      ± 0.5° .XXX   ±0.03		ARISTA CORPORATION 41300 Bayce Rd, Fremont, CA 94538			
			DRN	DATE	TITLE		SIZE	FSCM NO.
CHECKED		03/17/14	D					
DESIGN	ECN	I.N	C.N	SCALE	INV. NO.	SHEET	OF	