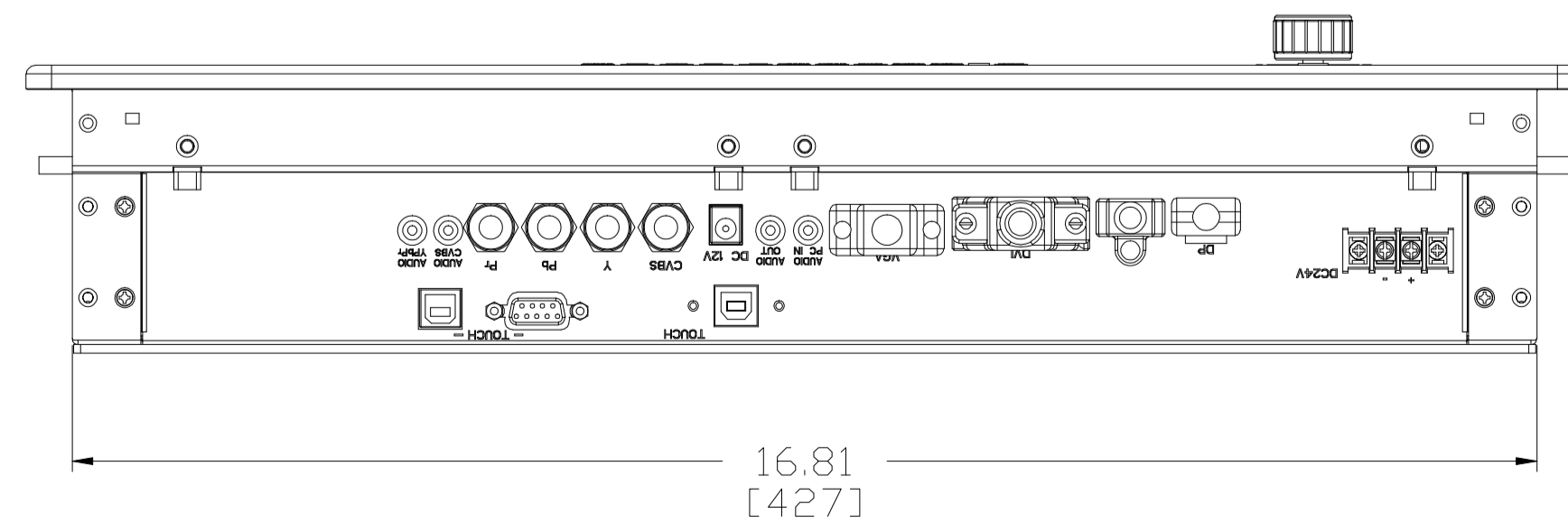
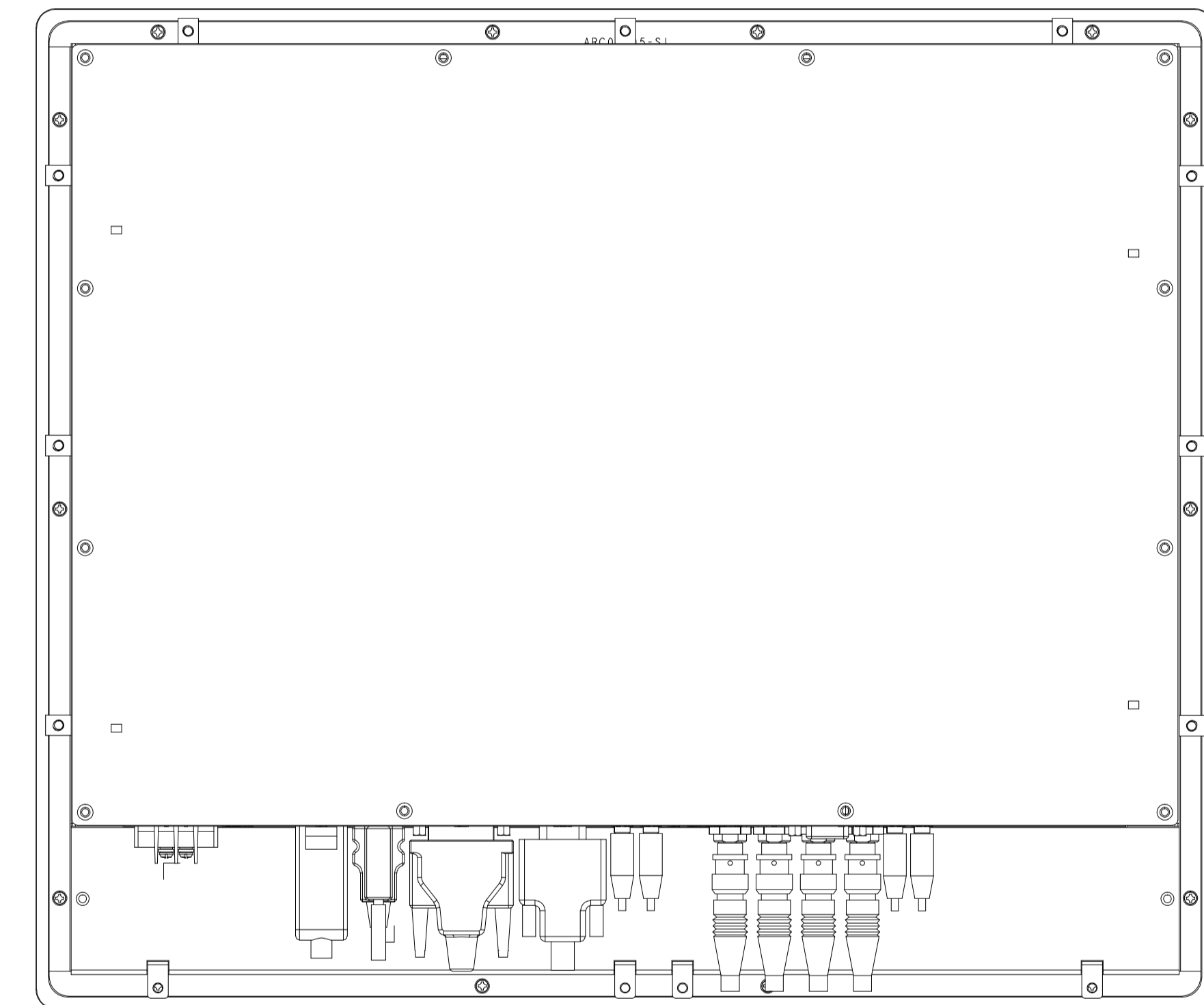
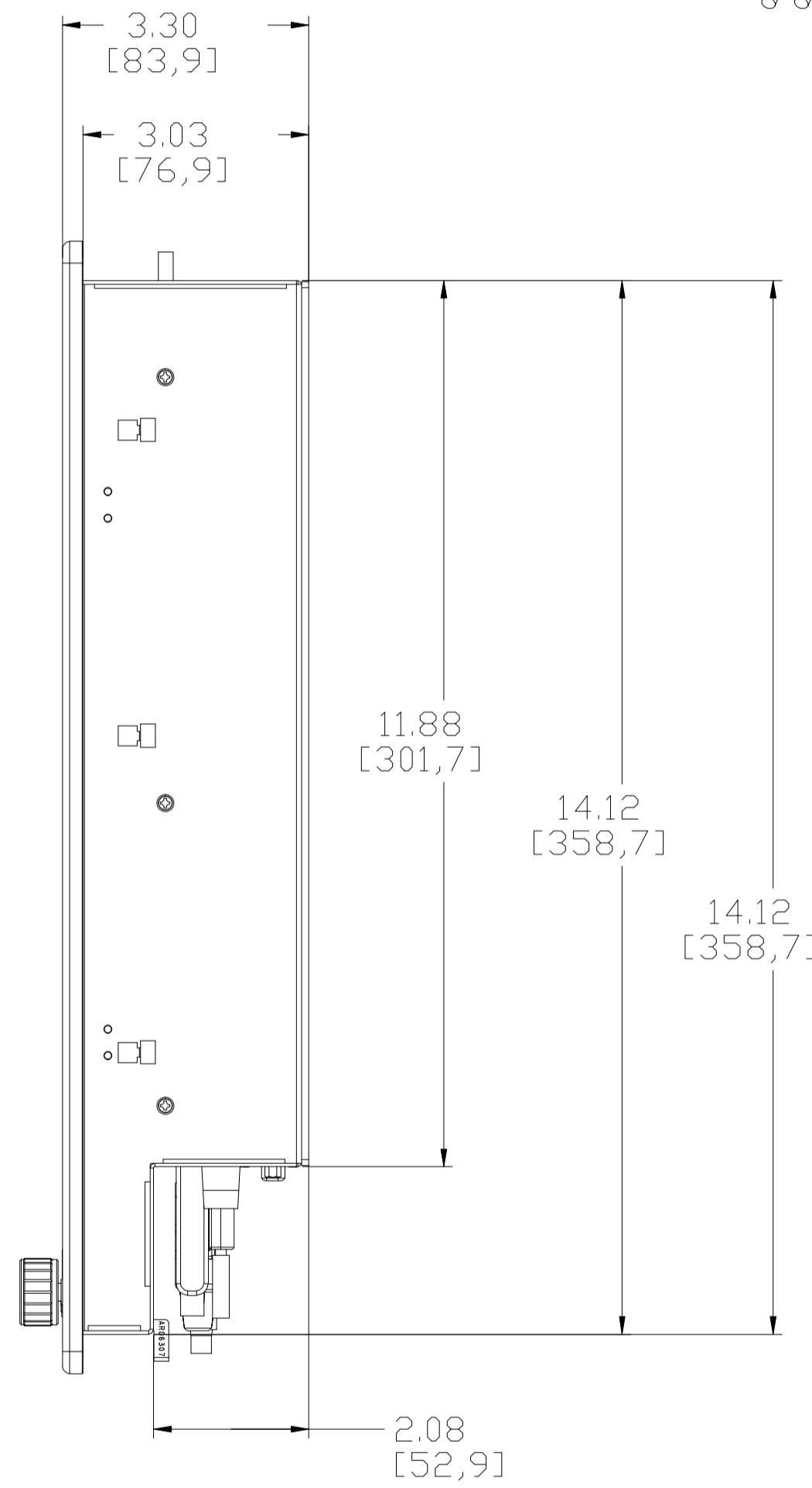
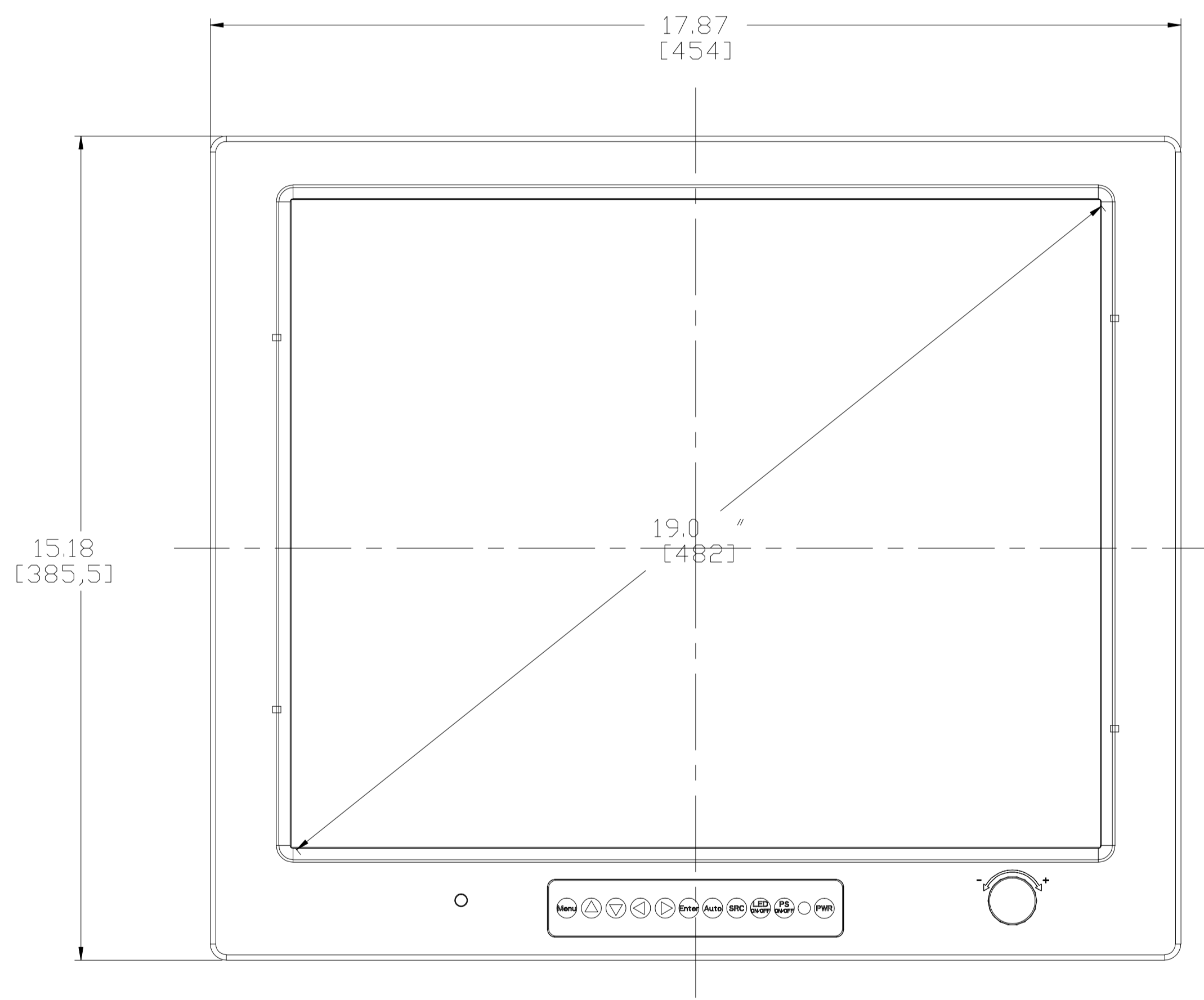
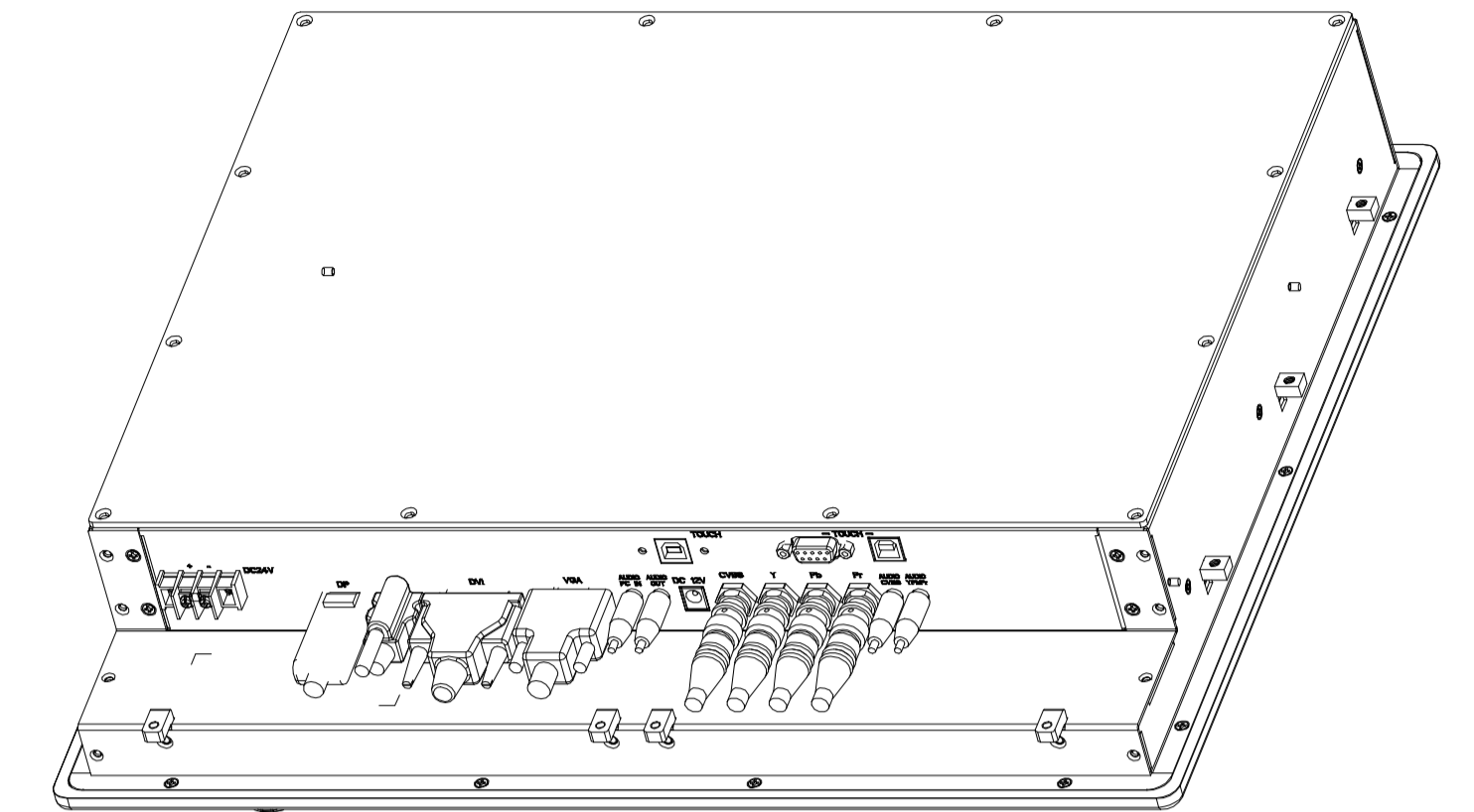
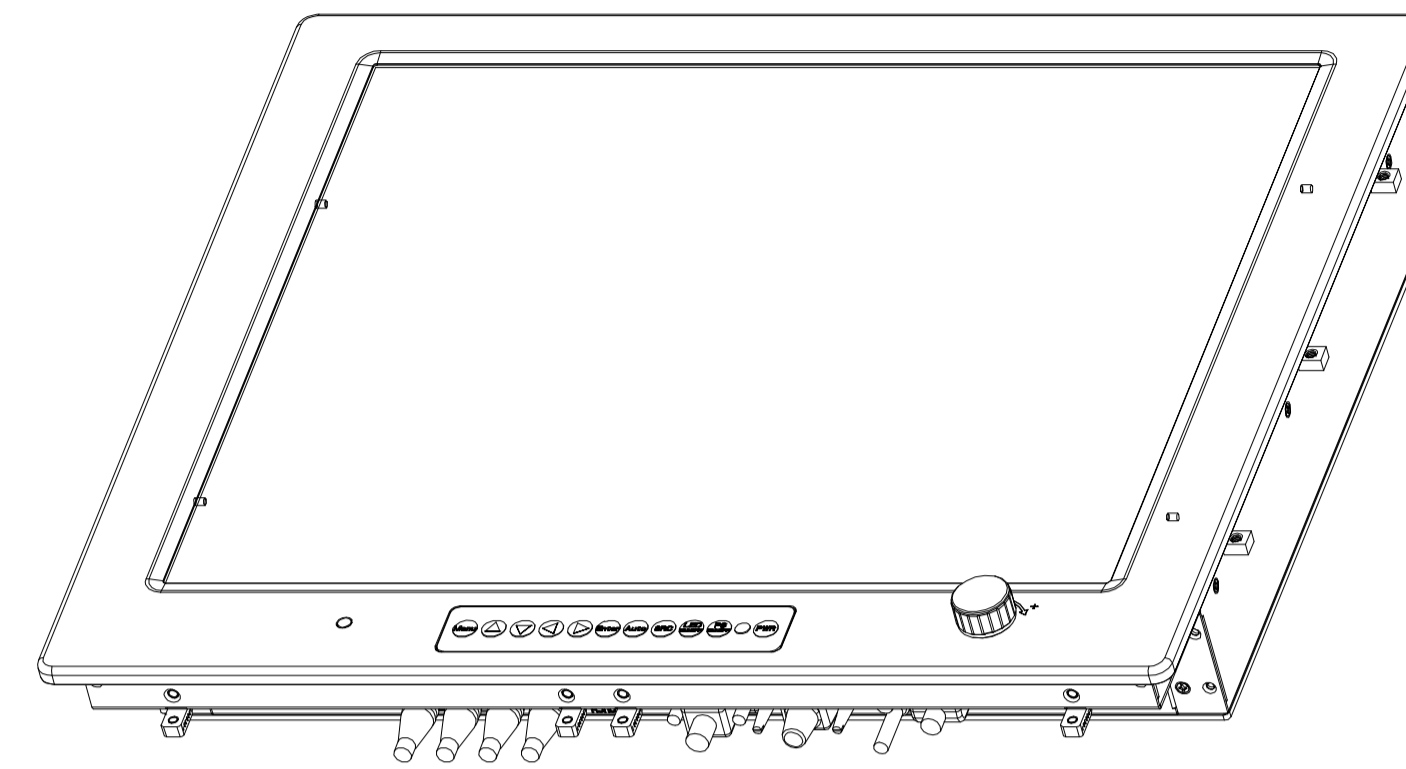


PARTS LIST			
ITEM	QTY	DESCRIPTION	P/N



ALL DIMENSIONS IN MILLIMETRES
 THIRD ANGLE PROJECTION

ZONE	REV	DESCRIPTION	DATE	APPROVED
REVISIONS				

The information disclosed on this document is the exclusive property of ARISTA CORPORATION. Reproduction, disclosure, or the use of this document or information without the written permission of ARISTA CORPORATION is prohibited.		TOLERANCES	A	B	C	ARISTA CORPORATION 41300 Bayce Rd, Fremont, CA 94538			
		0-30mm	±0.1	±0.25	±0.6				
DRN Pelton		30-120mm	±0.15	±0.46	±1.1	TITLE ADM-1819AP-AMD_ARC07900			
		120-315mm	±0.2	±0.6	±1.6				
CHECKED DESIGN		>315mm	±0.3	±1.1	±2.5	DATE 3/20/15			
		SIZE D	FSCM NO.		DWG NO.				
ECN		CN	SCALE 1:1		INV. NO.	SHEET		OF	