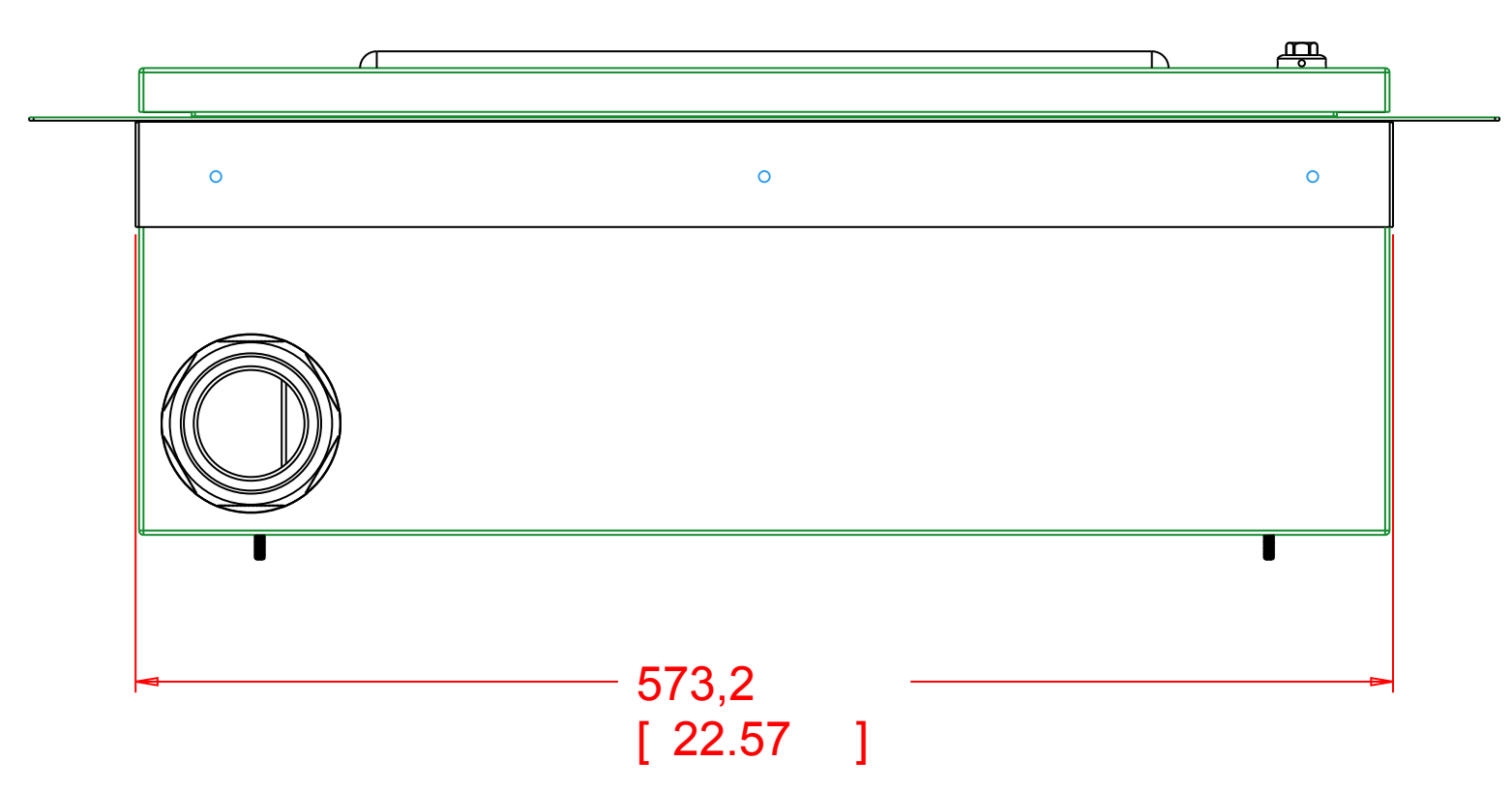
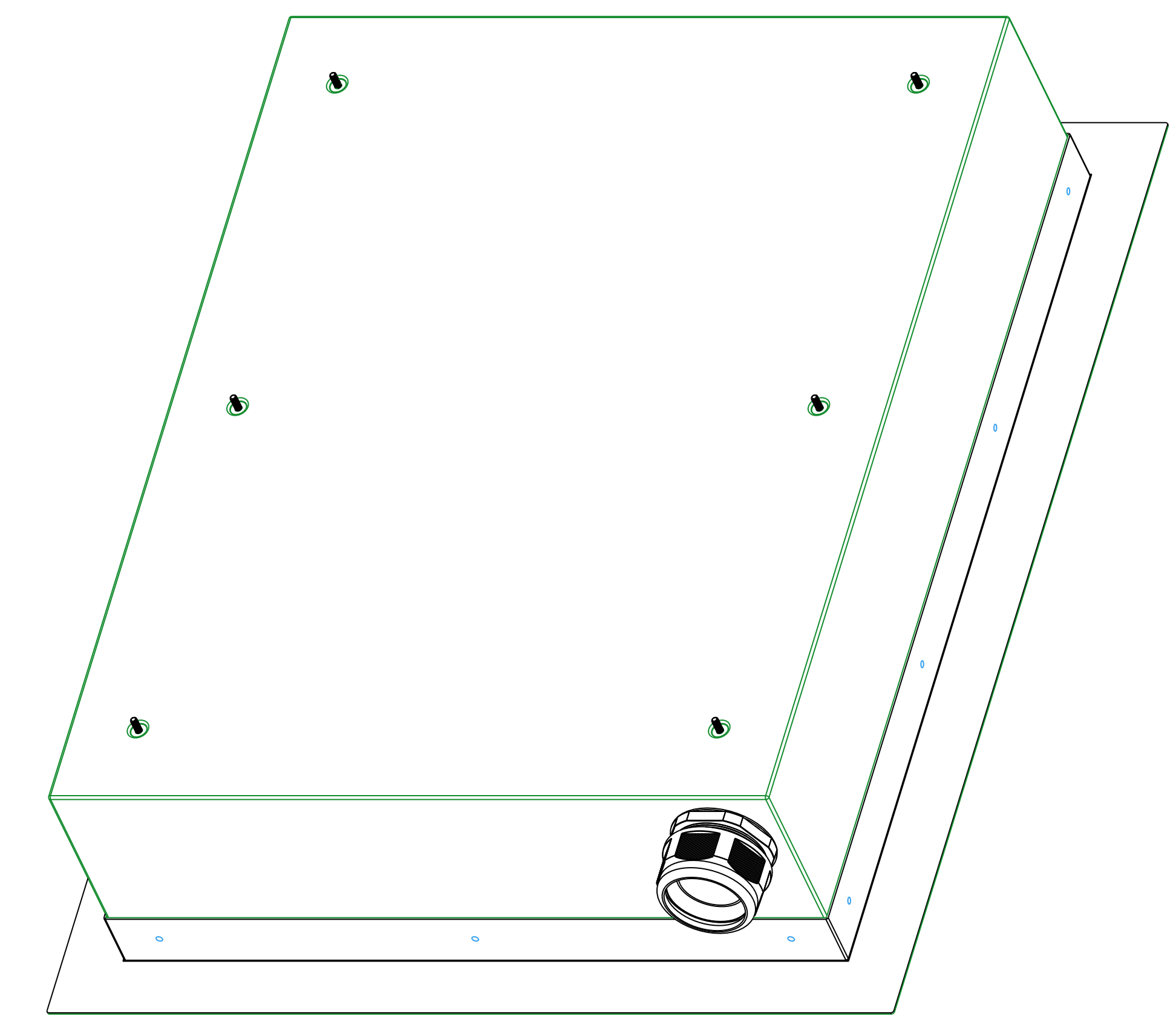
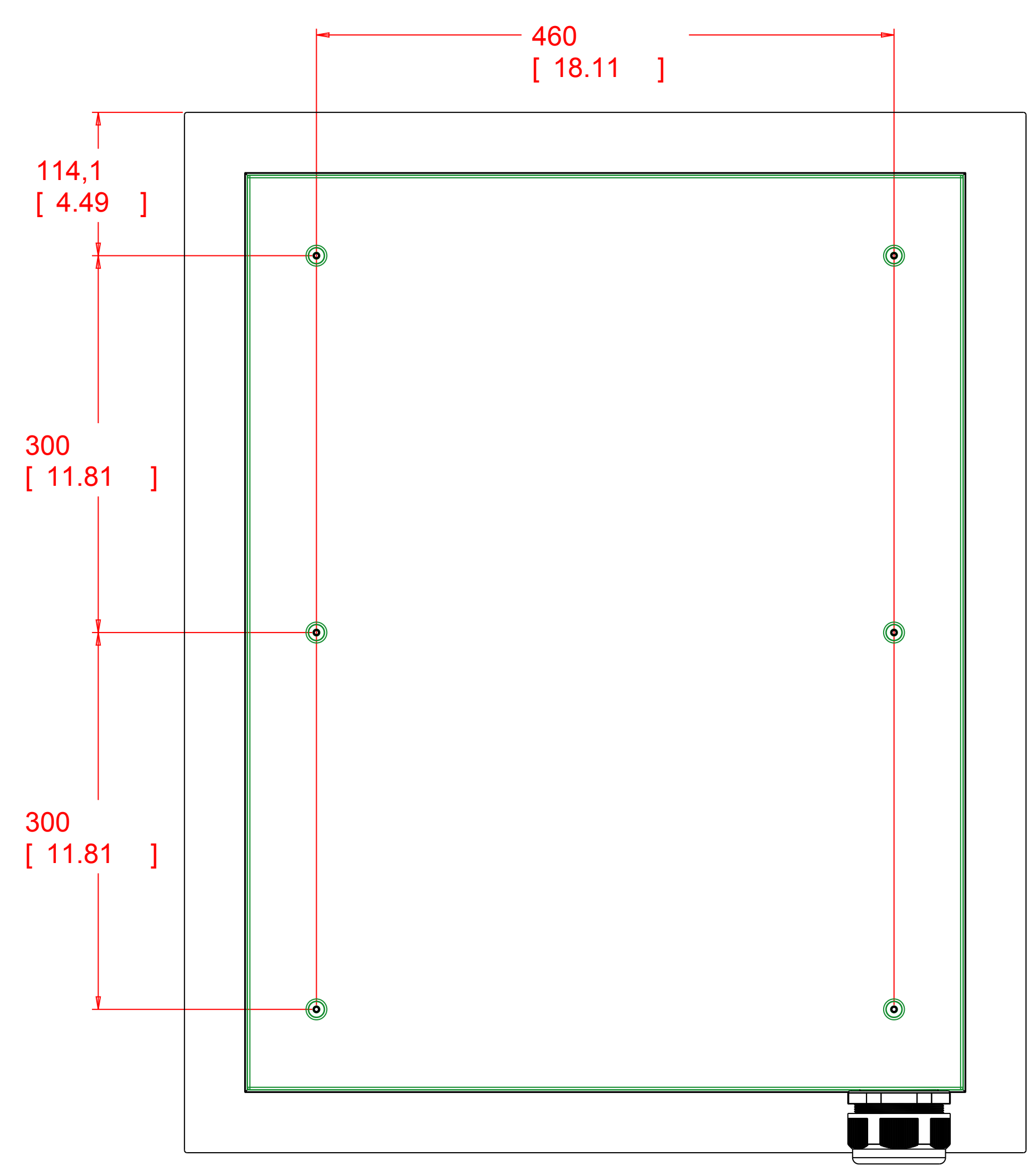
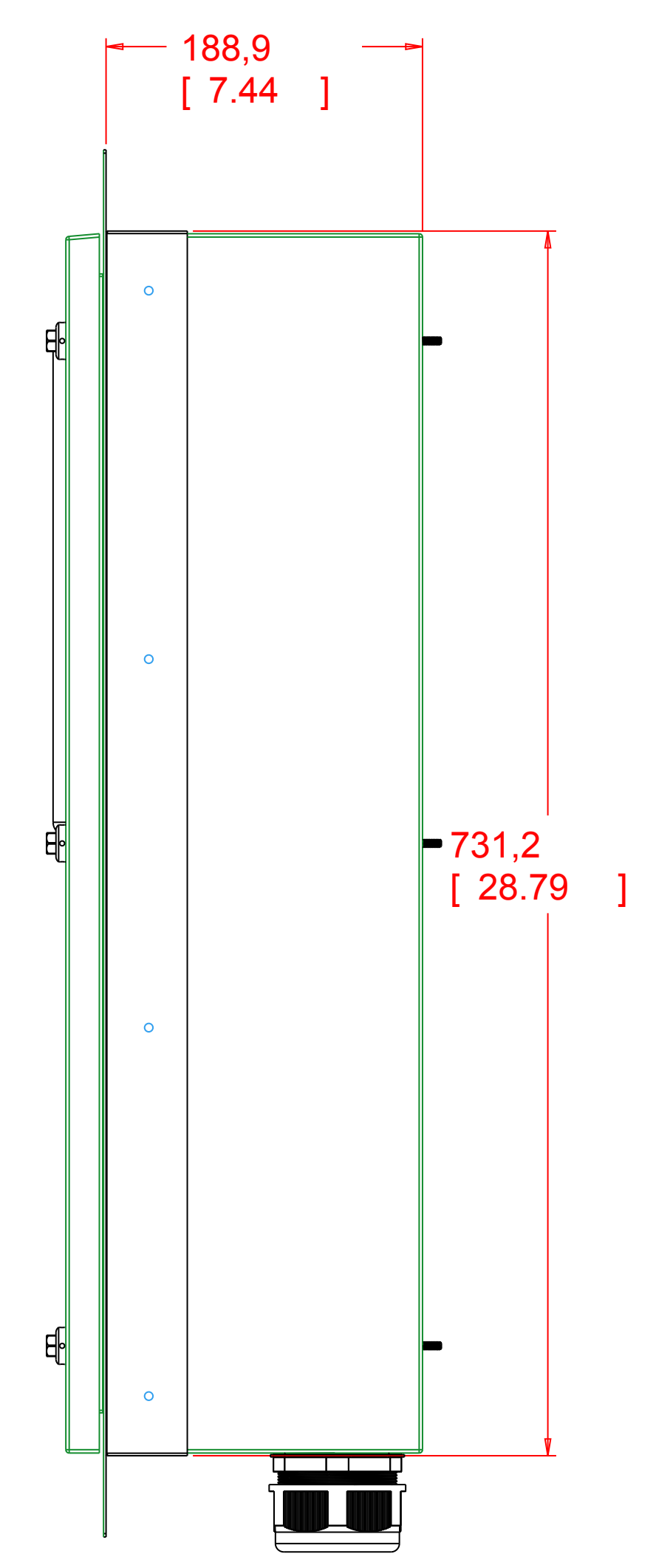
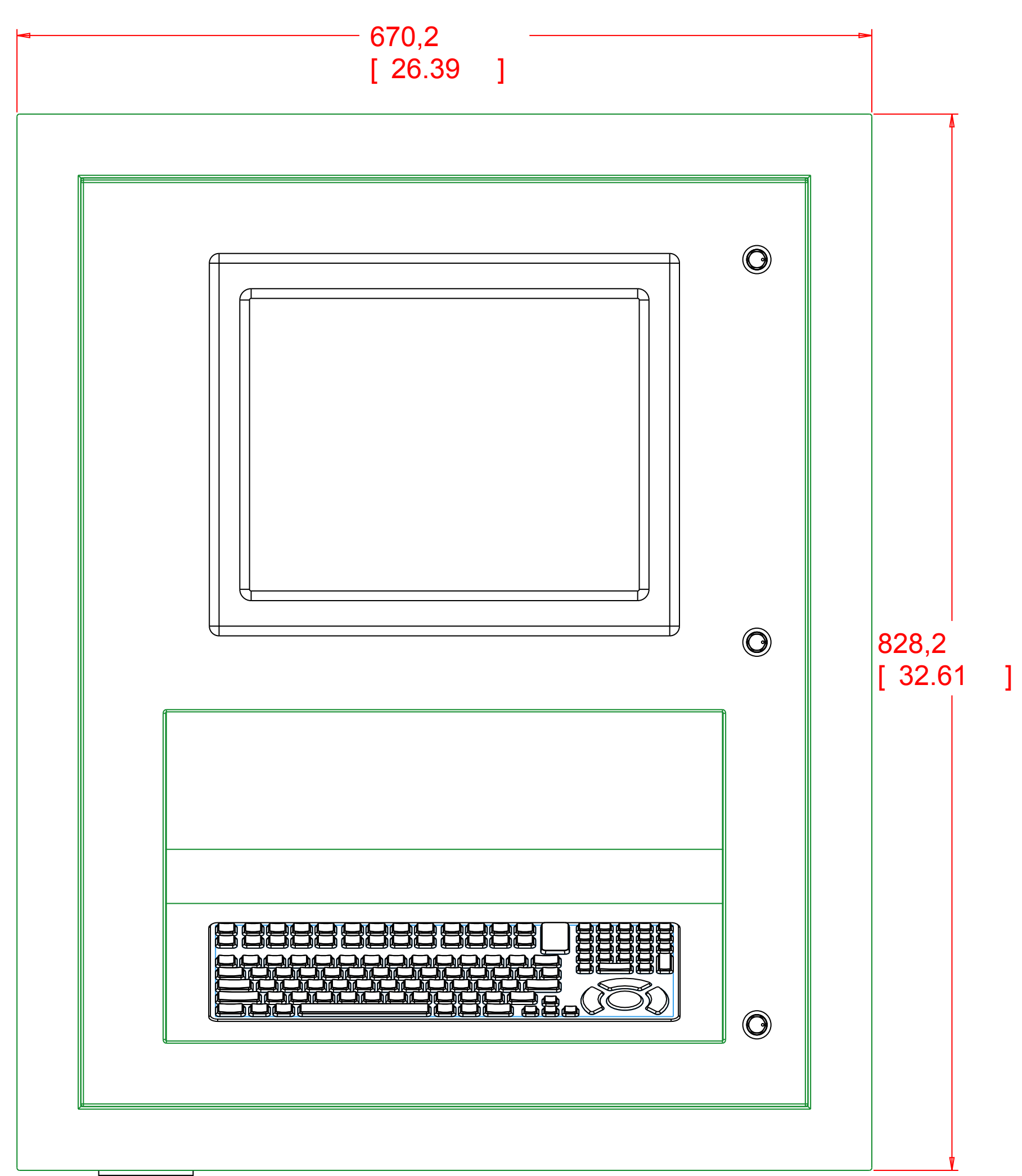
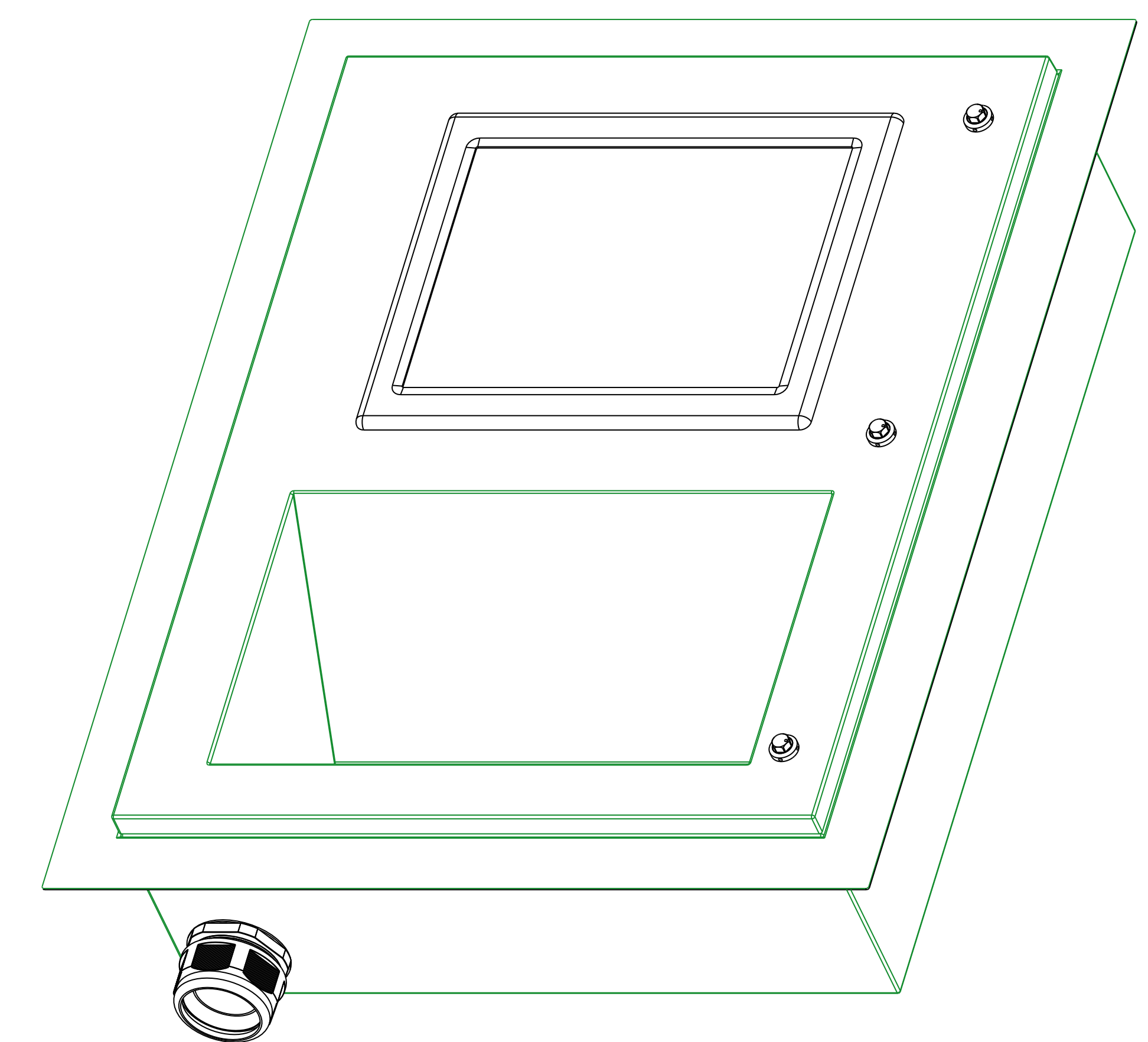
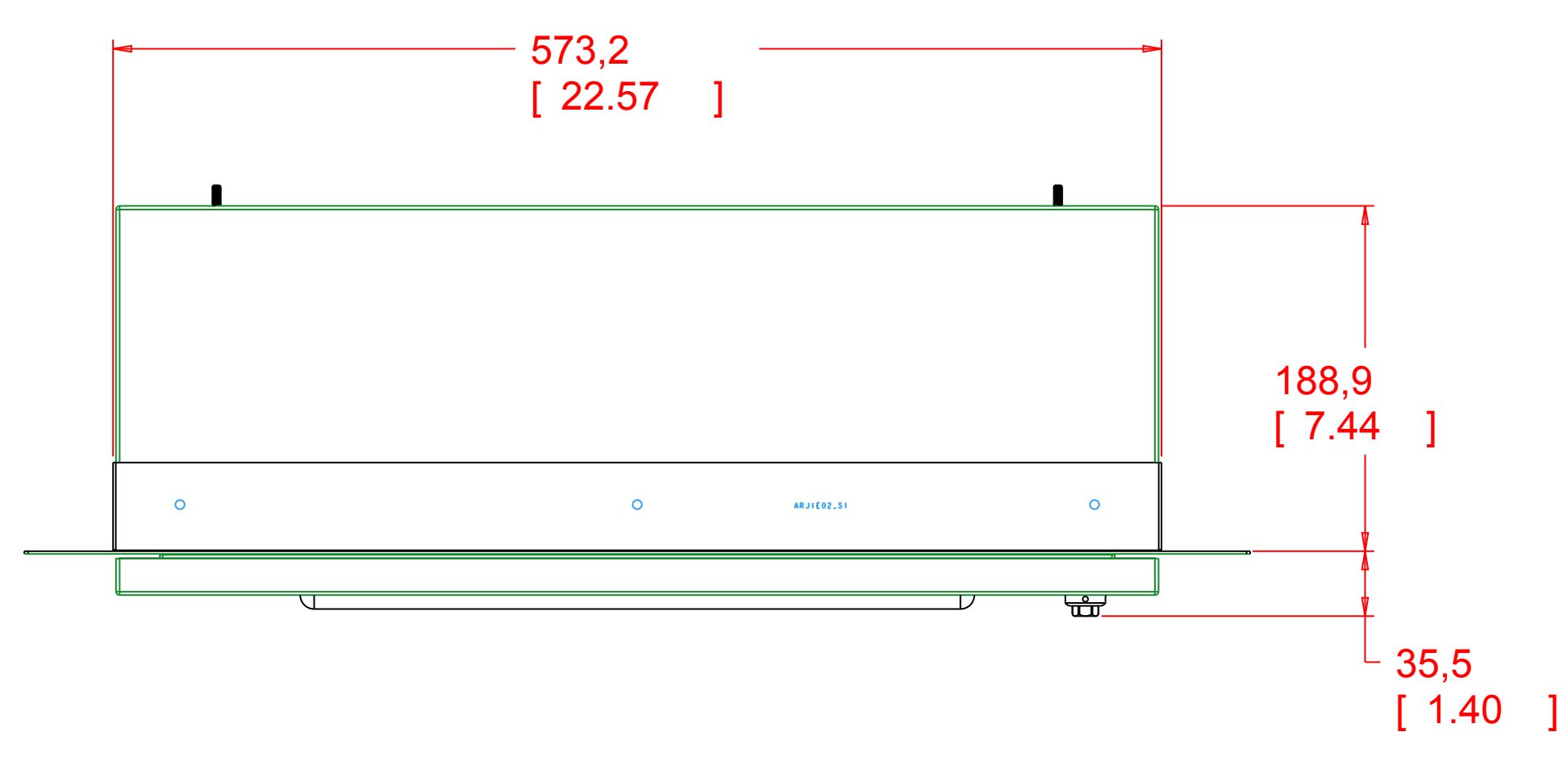


PARTS LIST		
ITEM	QTY	DESCRIPTION



UNITS: MM/INCH

ZONE	REV	DESCRIPTION	DATE	APPROVED
REVISIONS				

The information disclosed on this document is the exclusive property of ARISTA CORPORATION. Reproduction, disclosure, or the use of this document or information without the written permission of ARISTA CORPORATION is prohibited.

UNLESS OTHERWISE SPECIFIED:
DIMENSIONS ARE IN INCHES
TOLERANCES:
DECIMALS ANGULAR
XX 0/1 ± 0.5 °
XXX 0/3

ARISTA CORPORATION
41300 Blythe Rd, Fremont, CA 94538

TITLE
AMA-7015AX ASSEMBLY

DRN YoyoSu	DATE 6/26/17	SIZE E	FSCM NO.	DWG NO.	REV
CHECKED		SCALE 0.300	INV. NO.	SHEET	OF