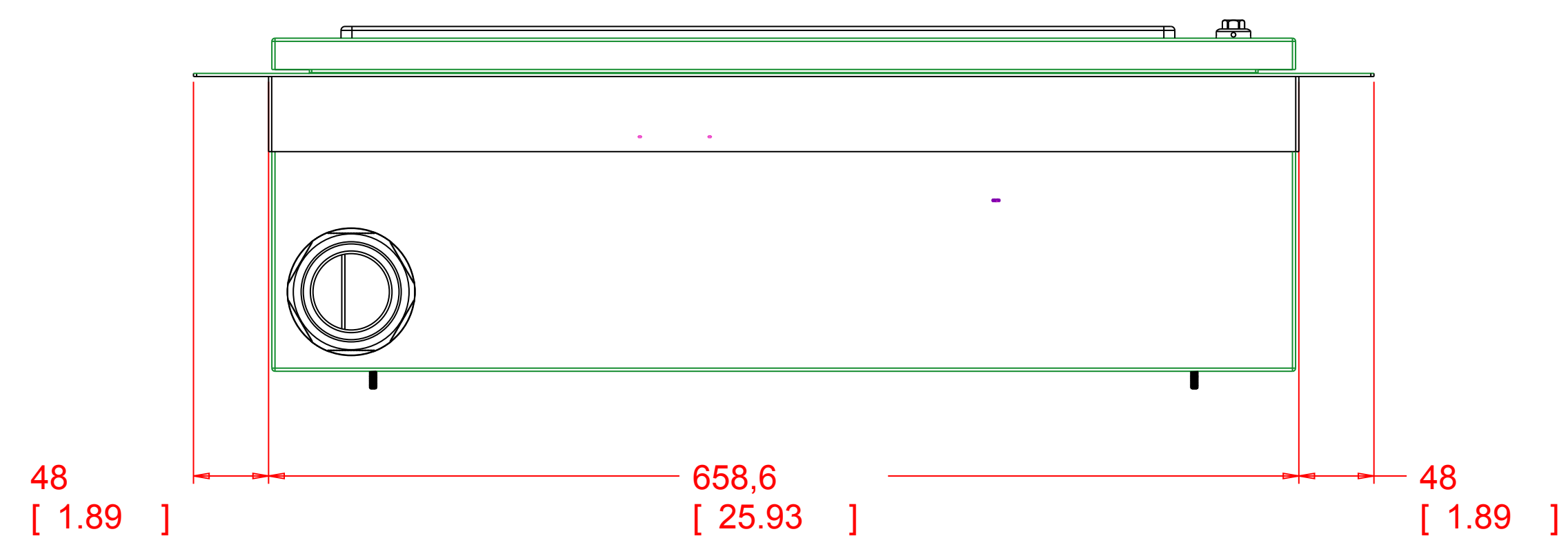
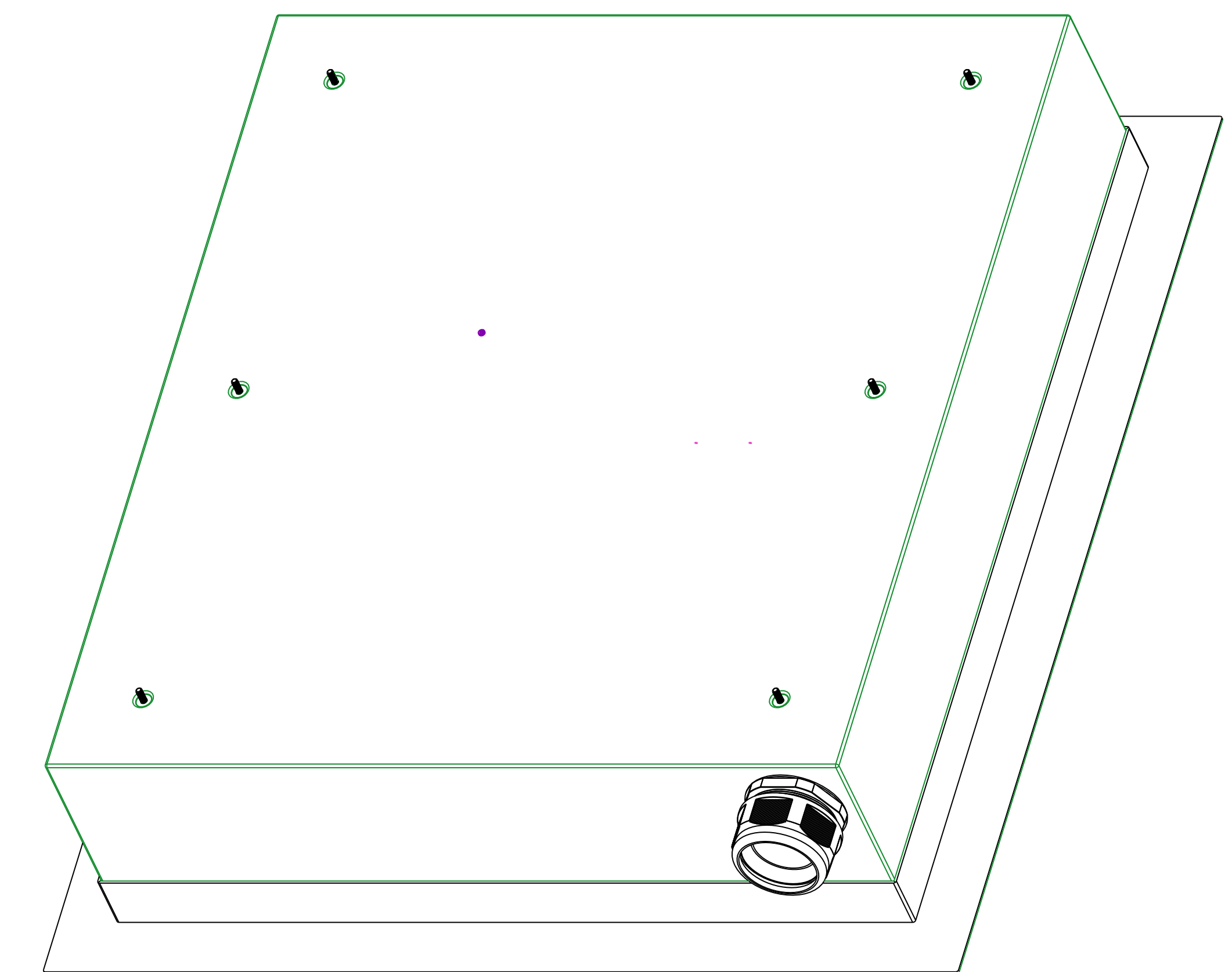
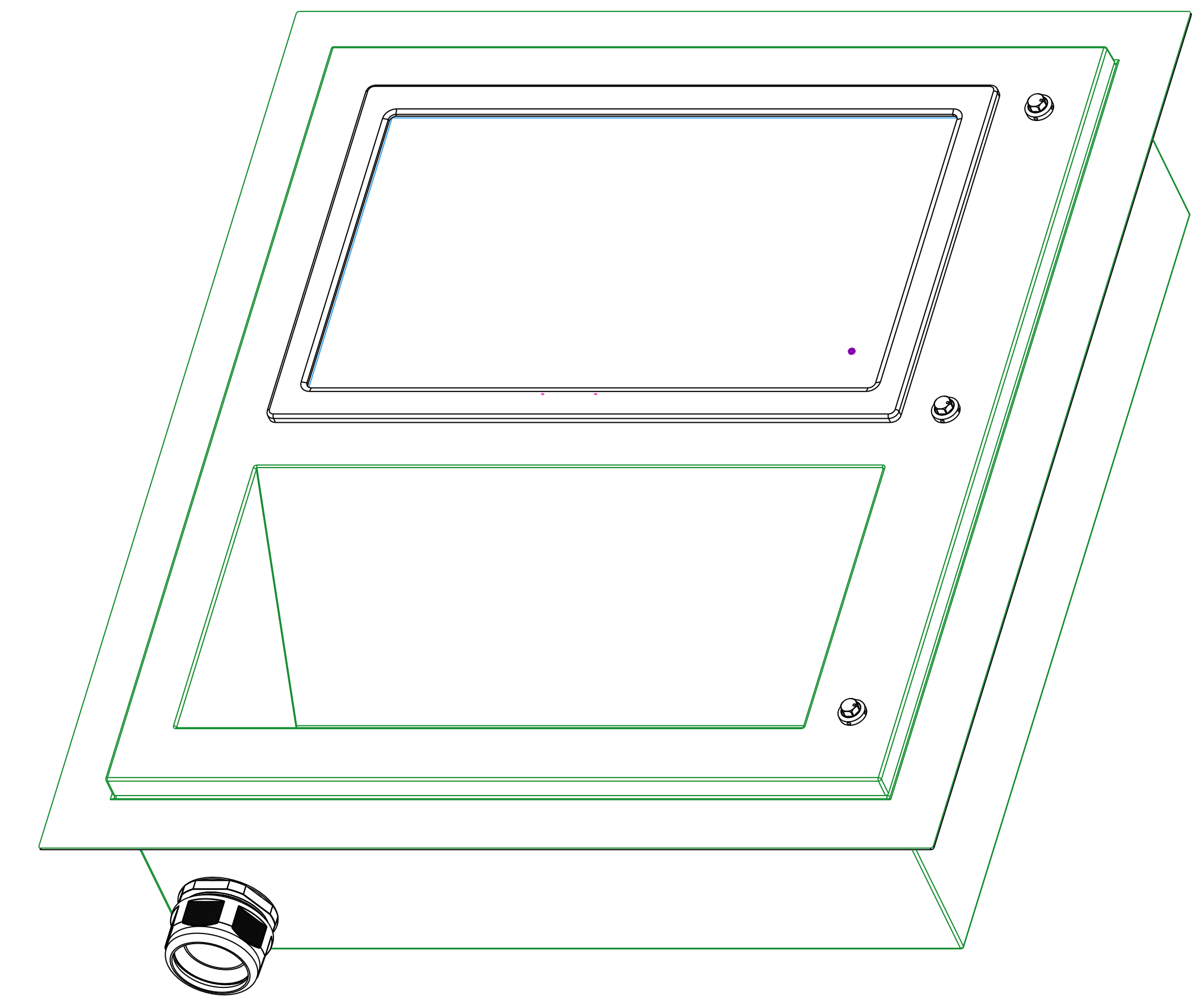
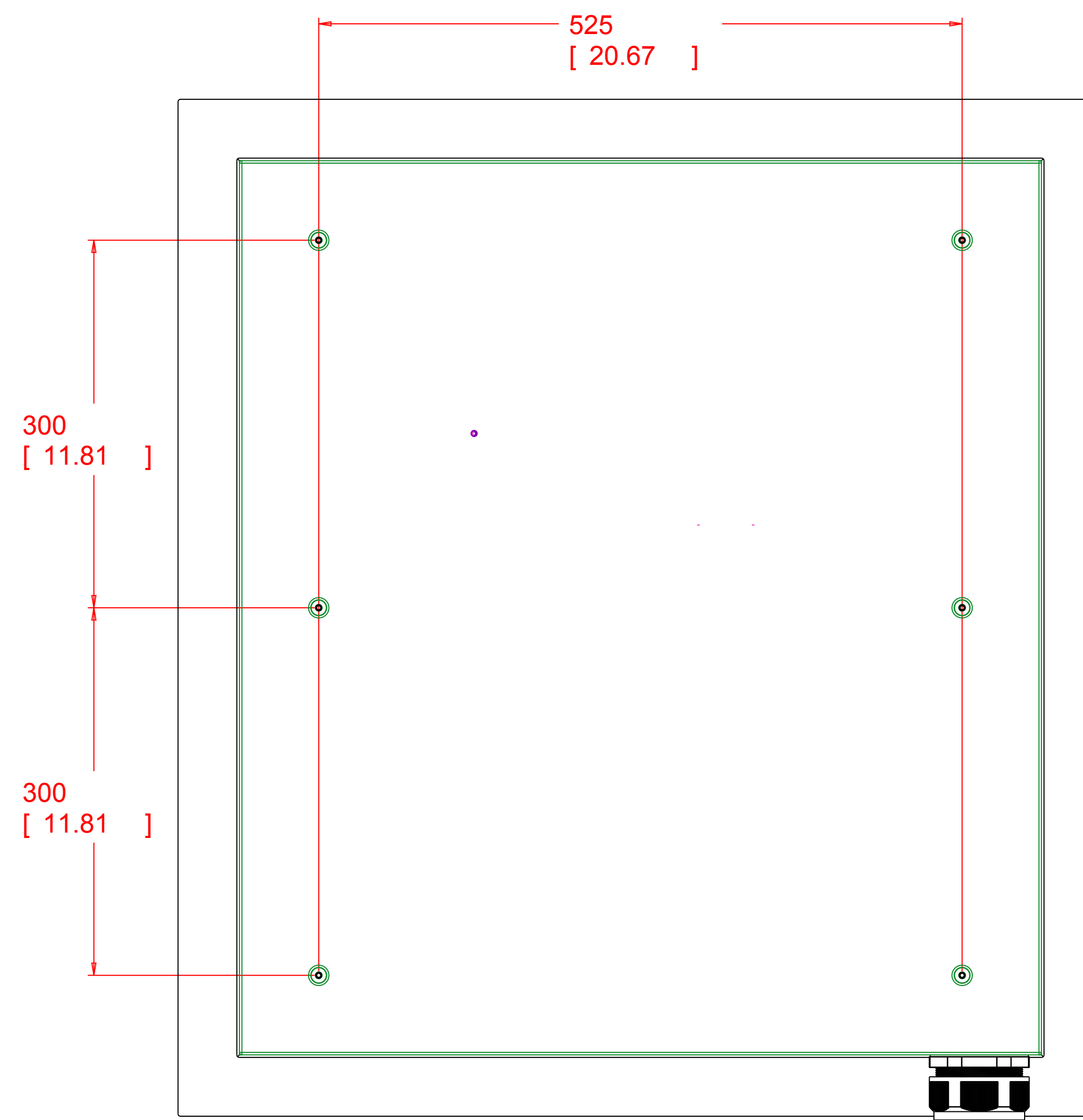
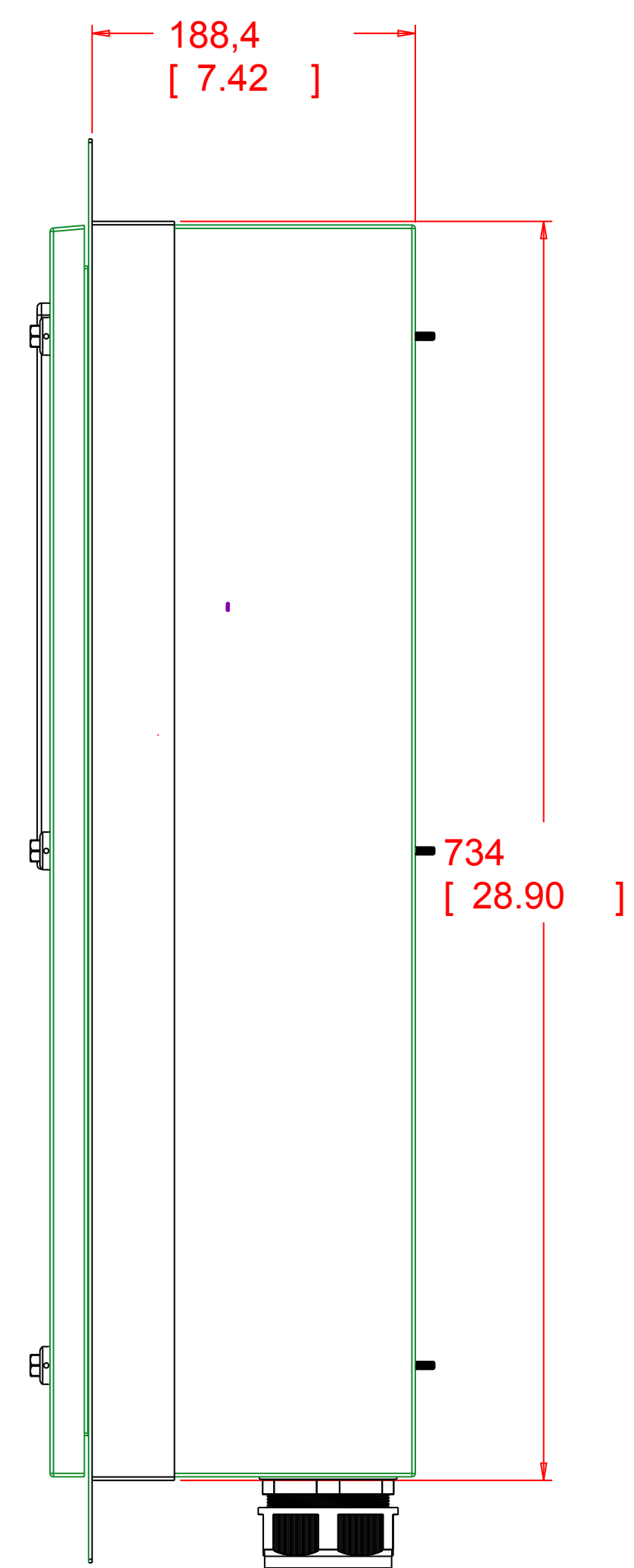
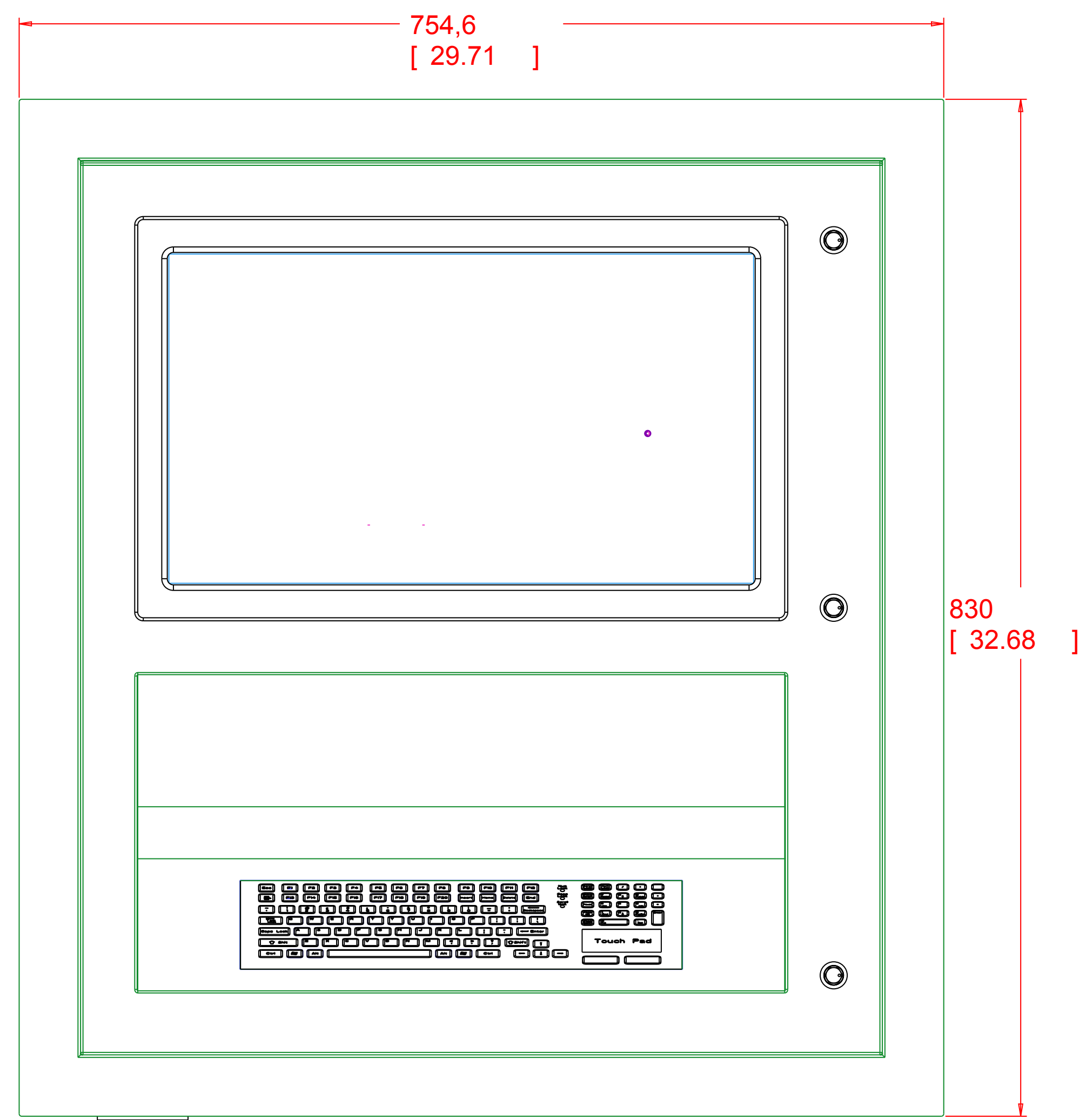
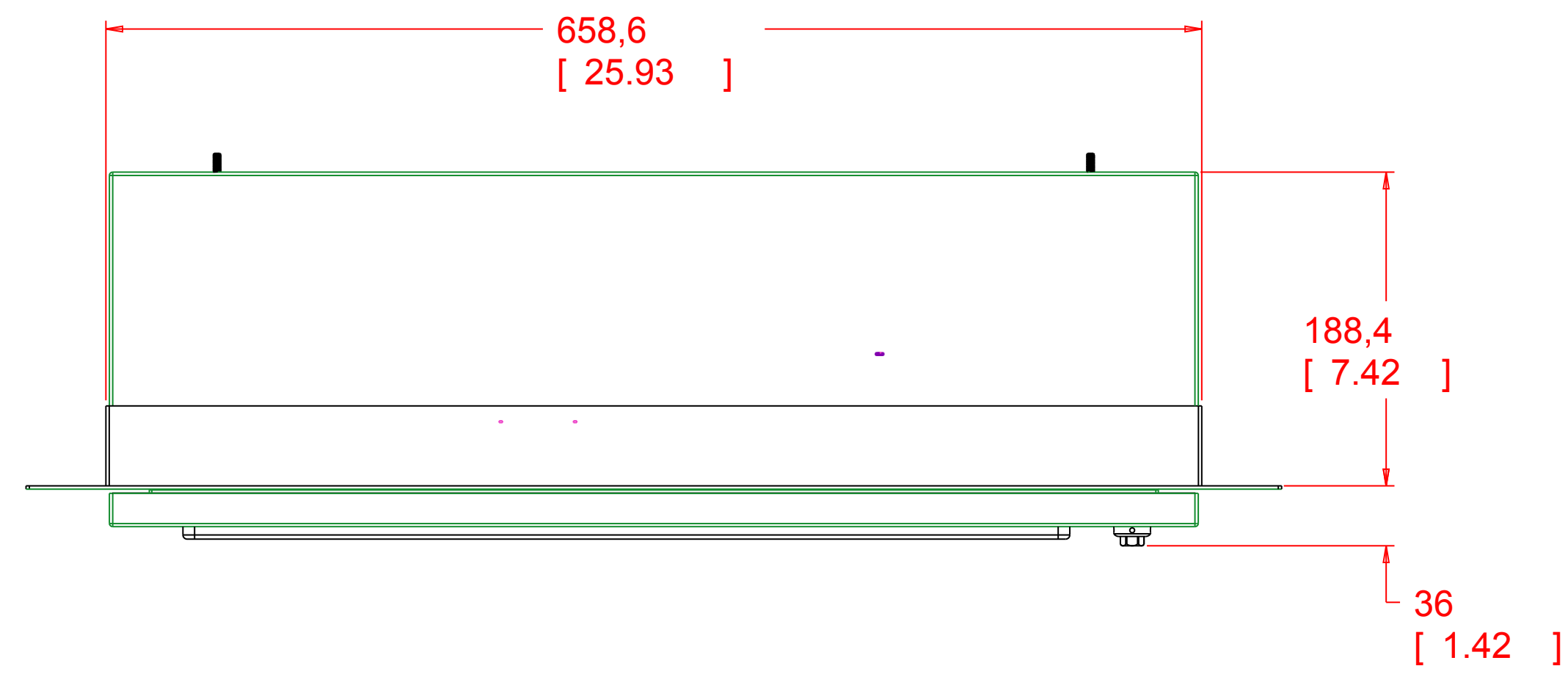


| PARTS LIST |     |             |
|------------|-----|-------------|
| ITEM       | QTY | DESCRIPTION |
|            |     |             |



| ZONE      | REV | DESCRIPTION | DATE | APPROVED |
|-----------|-----|-------------|------|----------|
| REVISIONS |     |             |      |          |

|  |         |  |          |
|--|---------|--|----------|
| UNLESS OTHERWISE SPECIFIED:<br>DIMENSIONS ARE IN INCHES<br>TOLERANCES: |         | ARISTA CORPORATION<br>41300 Blythe Rd, Fremont, CA 94538 |          |
| DECIMALS   | ANGULAR | TITLE  |          |
| XX .05   | ± 0.5 ° | <b>AMA-7021AX ASSEMBLY</b>                               |          |
| XXX .003   |         | DRN  | DATE     |
|  |         | YoyoSu   | 3/17/17  |
| CHECKED  | SIZE    | FSCM NO.   | DWG NO.  |
|  | E       |  |          |
| DESIGN   | SCALE   | REV  |          |
|  | 0.300   | INV. NO.   | SHEET OF |

The information disclosed on this document is the exclusive property of ARISTA CORPORATION. Reproduction, disclosure, or the use of this document or information without the written permission of ARISTA CORPORATION is prohibited.