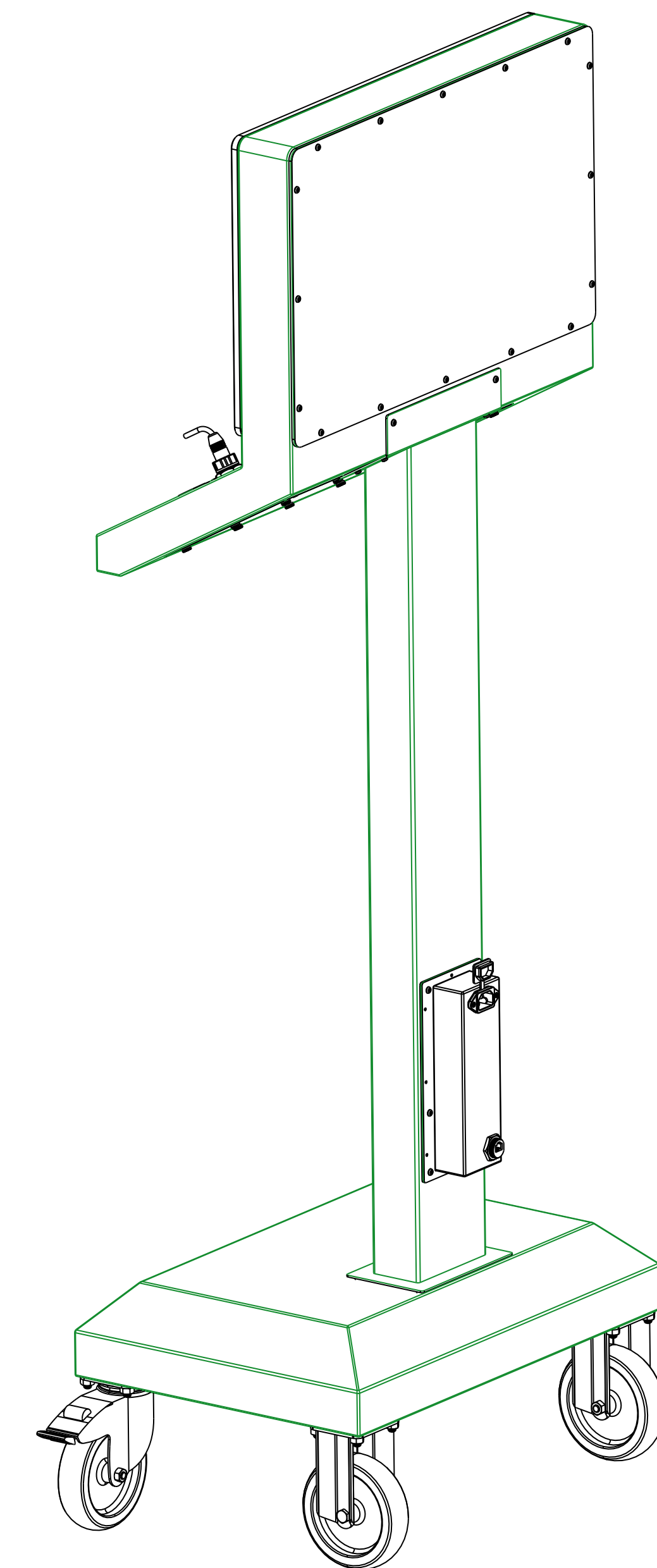
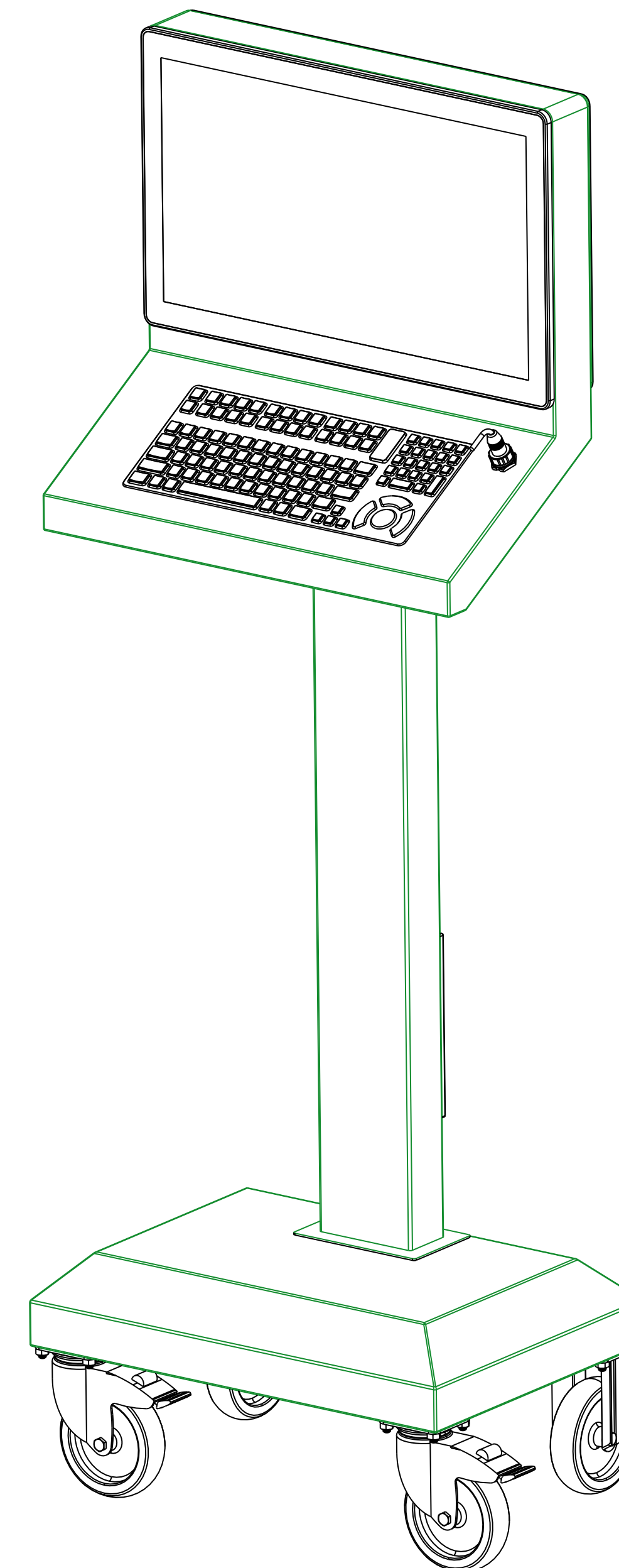
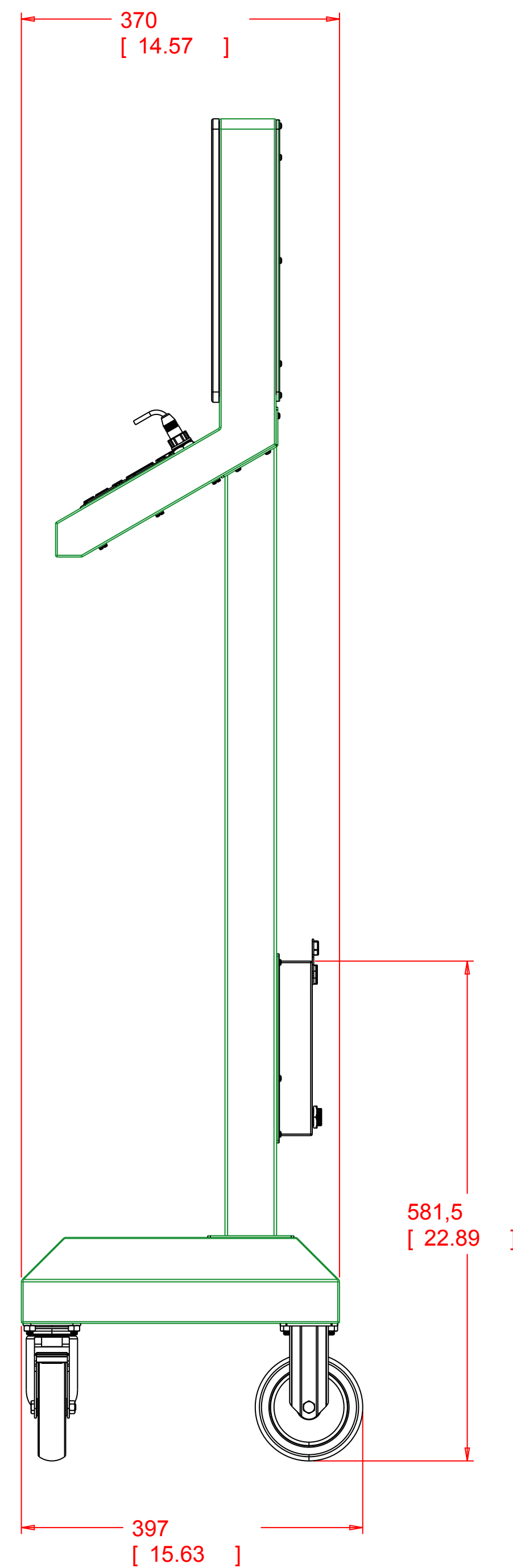
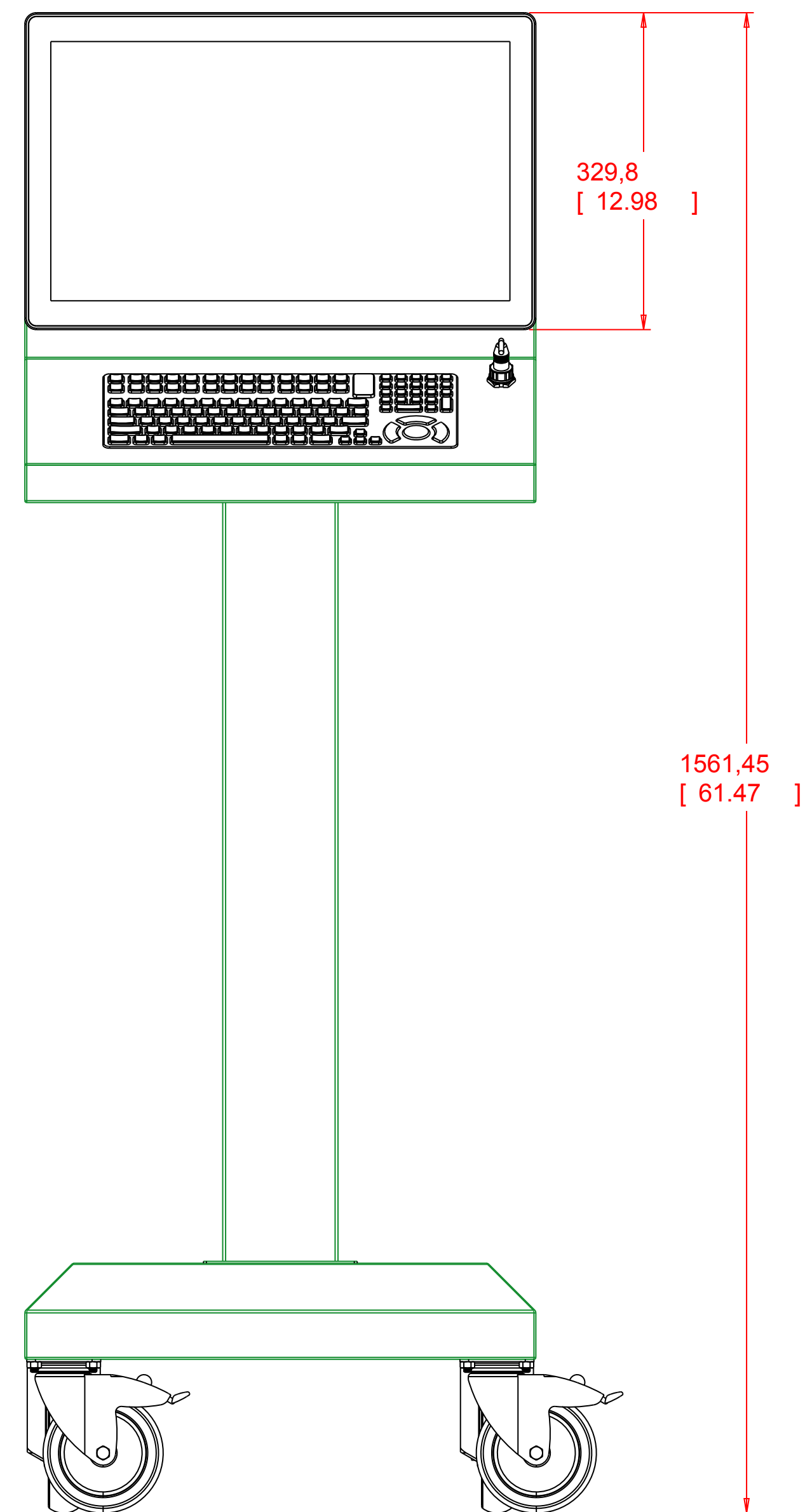
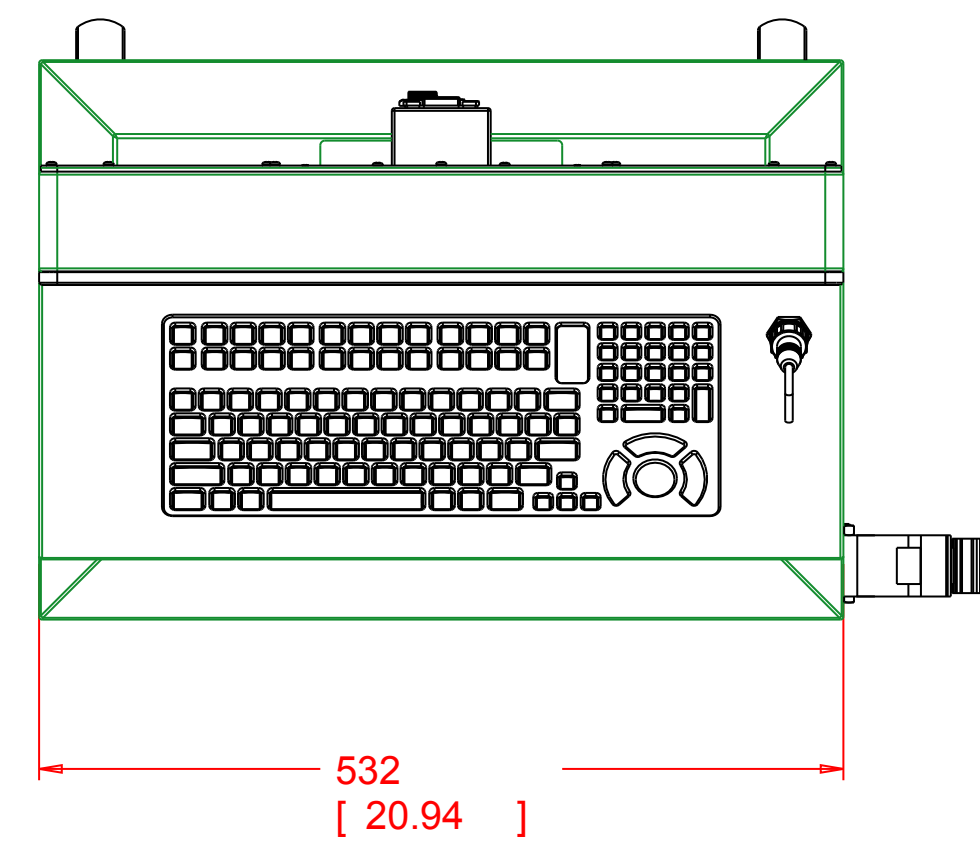


PARTS LIST			
ITEM	QTY	DESCRIPTION	P/N



ZONE	REV	DESCRIPTION	DATE	APPROVED
REVISIONS				

The information disclosed on this document is the exclusive property of ARISTA CORPORATION. Reproduction, disclosure, or the use of this document or information without the written permission of ARISTA CORPORATION is prohibited.			UNLESS OTHERWISE SPECIFIED: DIMENSIONS ARE IN INCHES TOLERANCES: DECIMALS ANGULAR .XX .01° ± 0.5° .XXX .003		ARISTA CORPORATION 41300 Boyce Rd., Fremont, CA 94538		
			DRN YoyoSu	DATE 04/13/17	AMW-3821AX ASSEMBLY		TITLE
CHECKED	SIZE D	FSCM NO.	DWG NO.	REV	SCALE: 0.200	INV. NO.	SHEET OF
ECN	I.N	C.N	DESIGN	SCALE: 0.200	INV. NO.	SHEET OF	