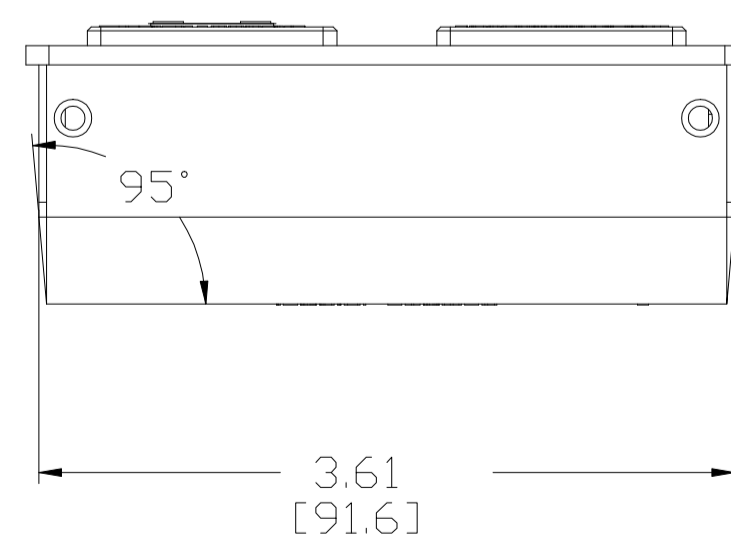
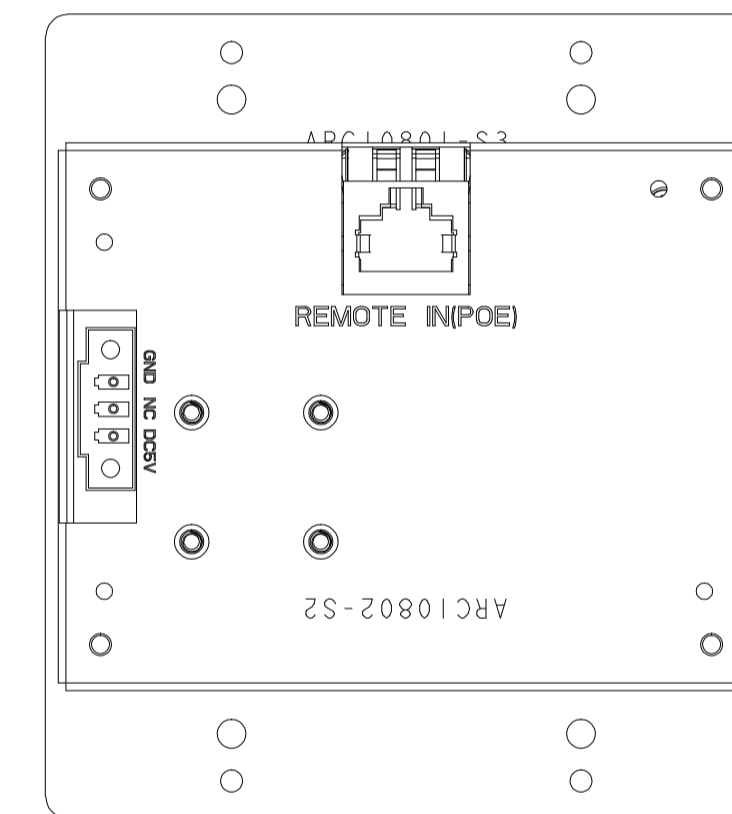
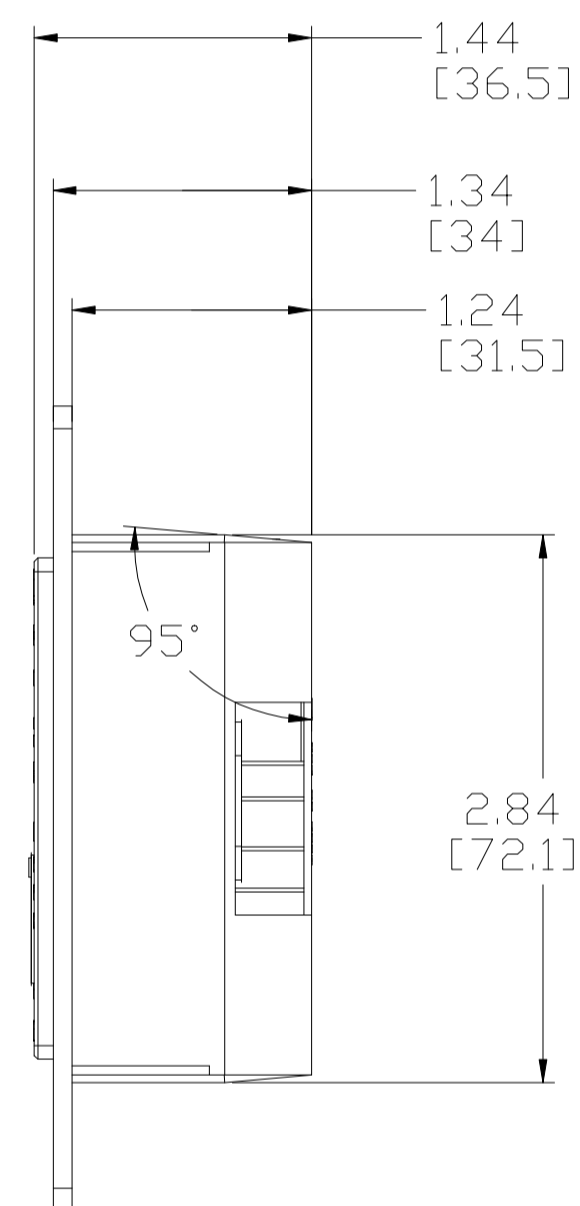
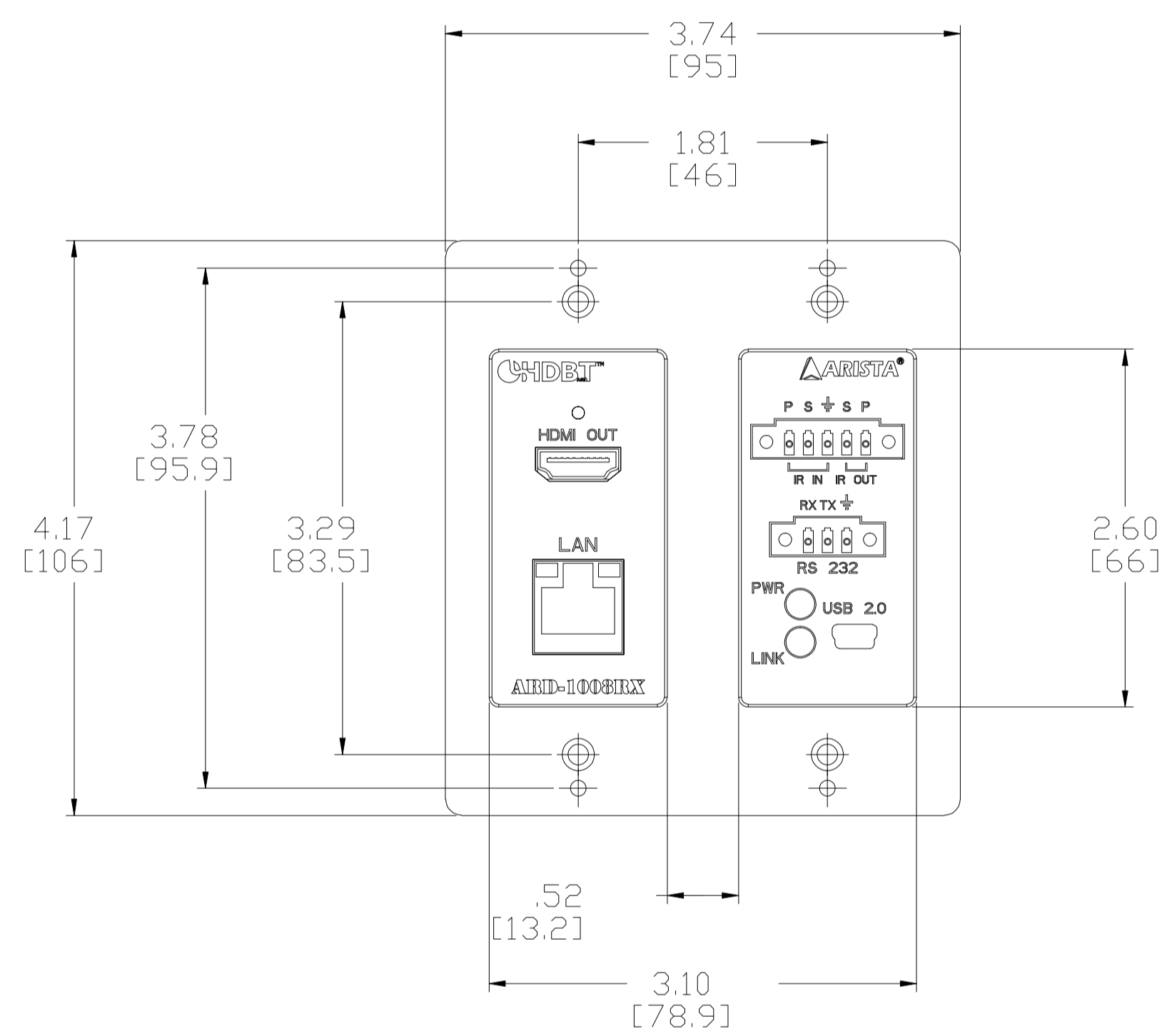
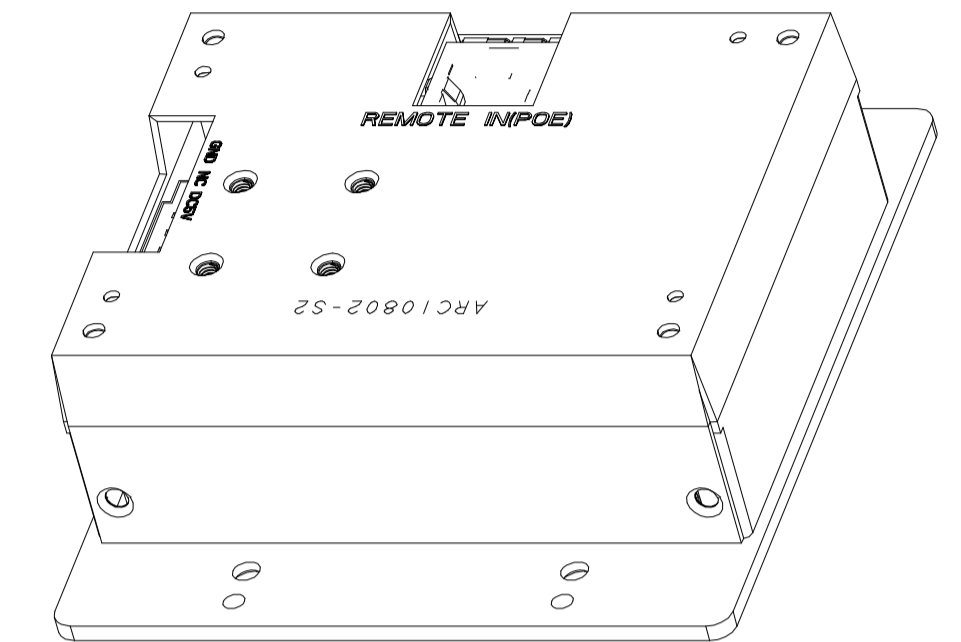
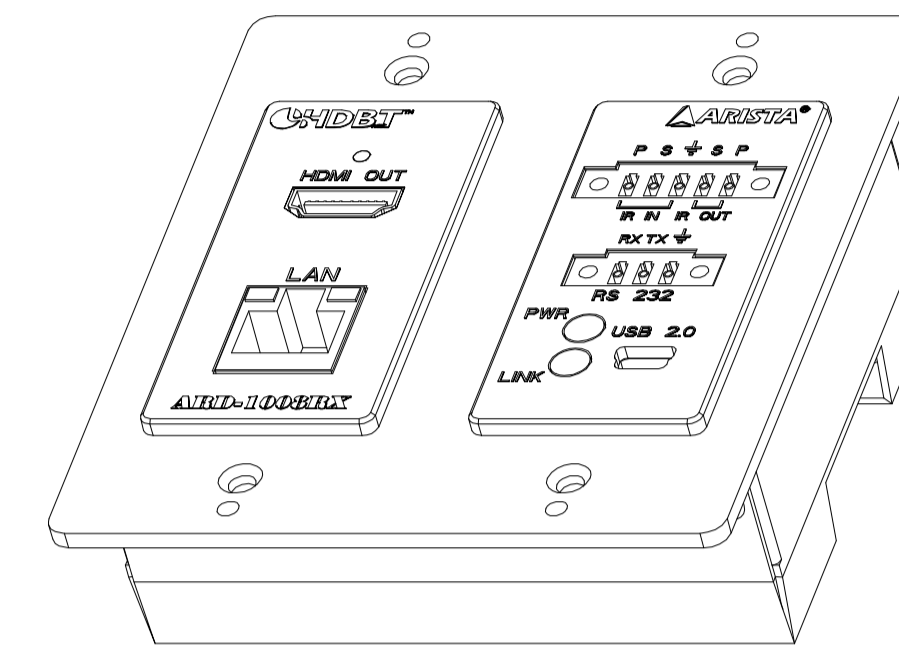


PARTS LIST			
ITEM	QTY	DESCRIPTION	P/N



ALL DIMENSIONS IN MILLIMETRES
 THIRD ANGLE PROJECTION

The information disclosed on this document is the exclusive property of ARISTA CORPORATION. Reproduction, disclosure, or the use of this document or information without the written permission of ARISTA CORPORATION is prohibited.

ZONE	REV	DESCRIPTION	DATE	APPROVED
REVISIONS				

TOLERANCES A B C 0-30mm ±0.1 ±0.25 ±0.6 30-120mm ±0.15 ±0.46 ±1.1 120-315mm ±0.2 ±0.6 ±1.6 >315mm ±0.3 ±1.1 ±2.5				ARISTA CORPORATION 41300 Bayce Rd, Fremont, CA 94538	
DRN Pelton DATE CHECKED				TITLE 0_ARC1008-ARC10800	
ECN				C/N DESIGN	
SCALE		INV. NO. SHEET OF		REV A	