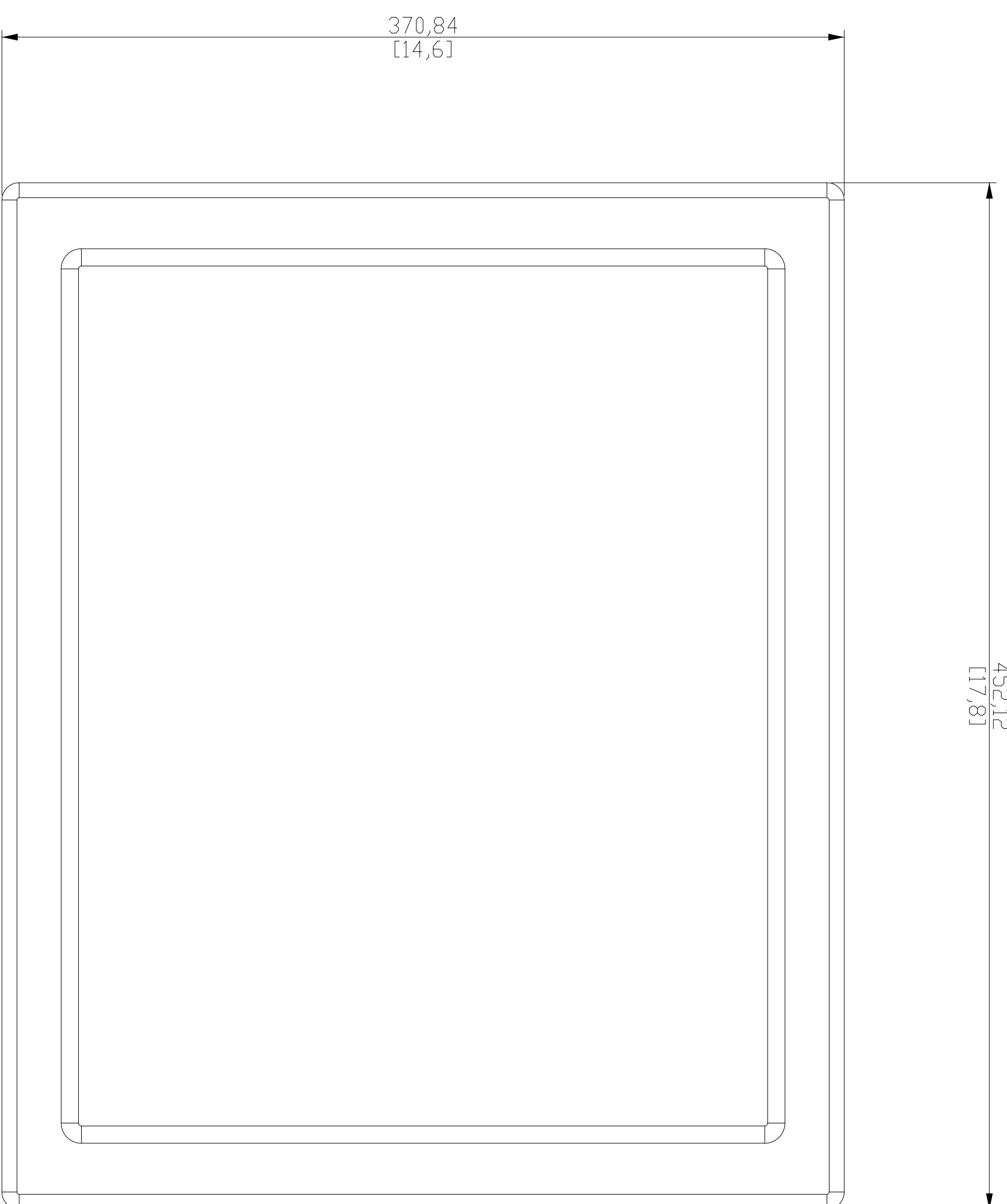
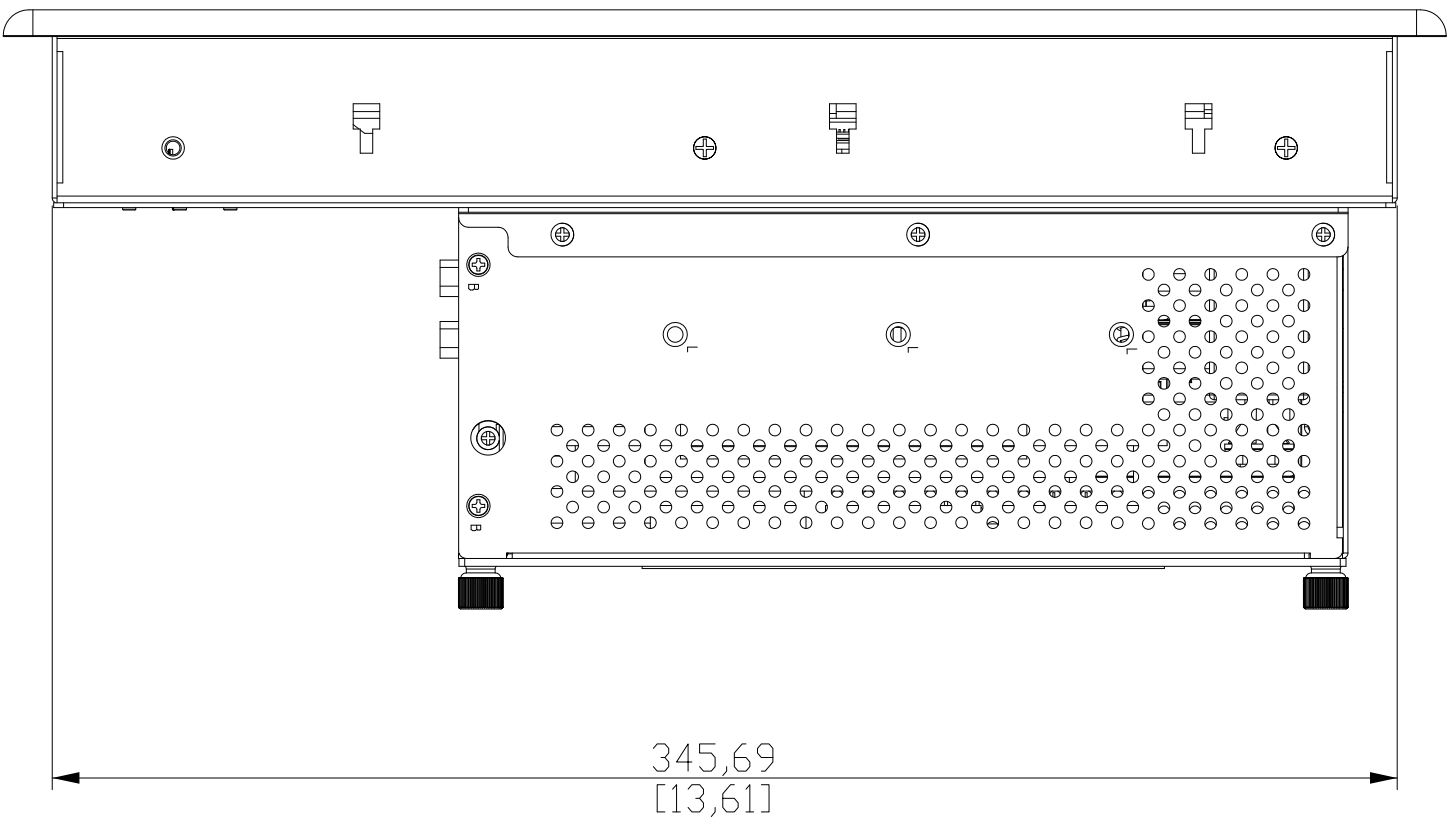


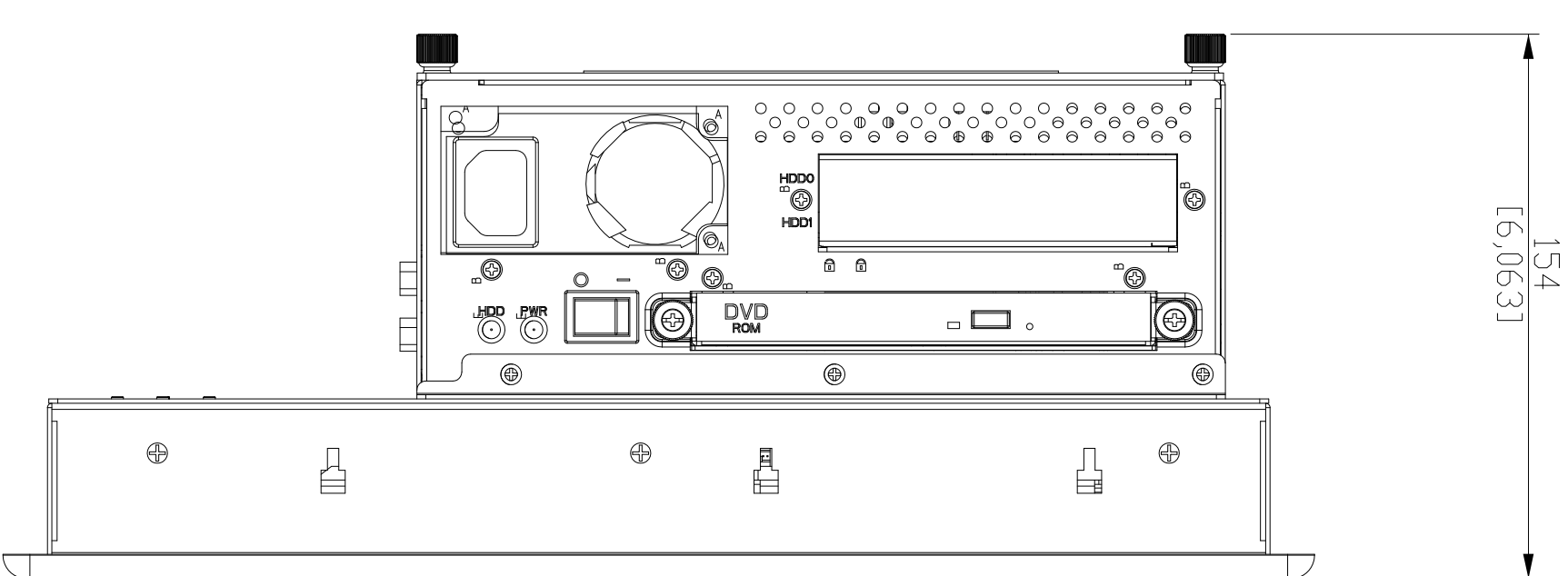
452.12
[17.81]



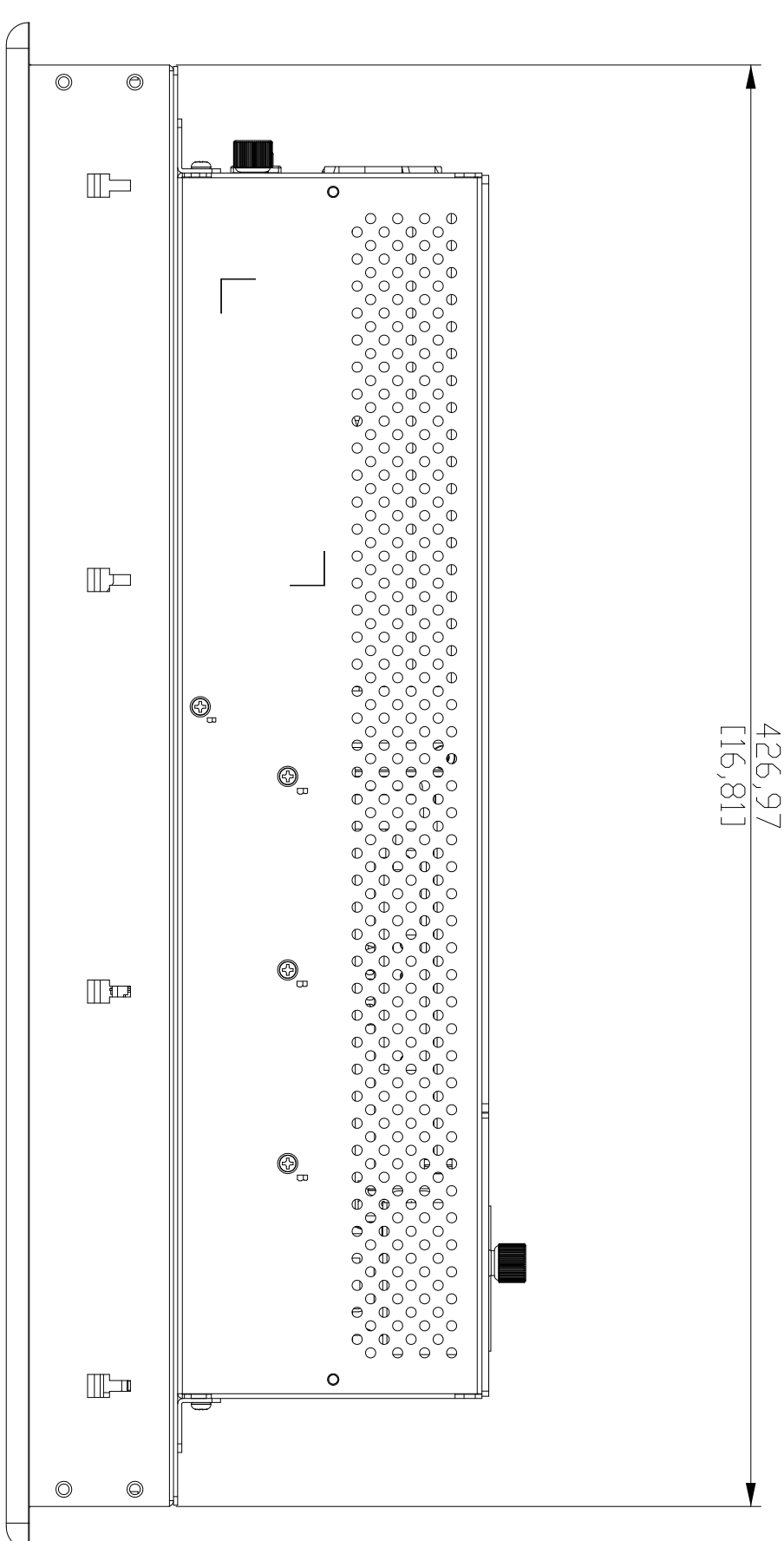
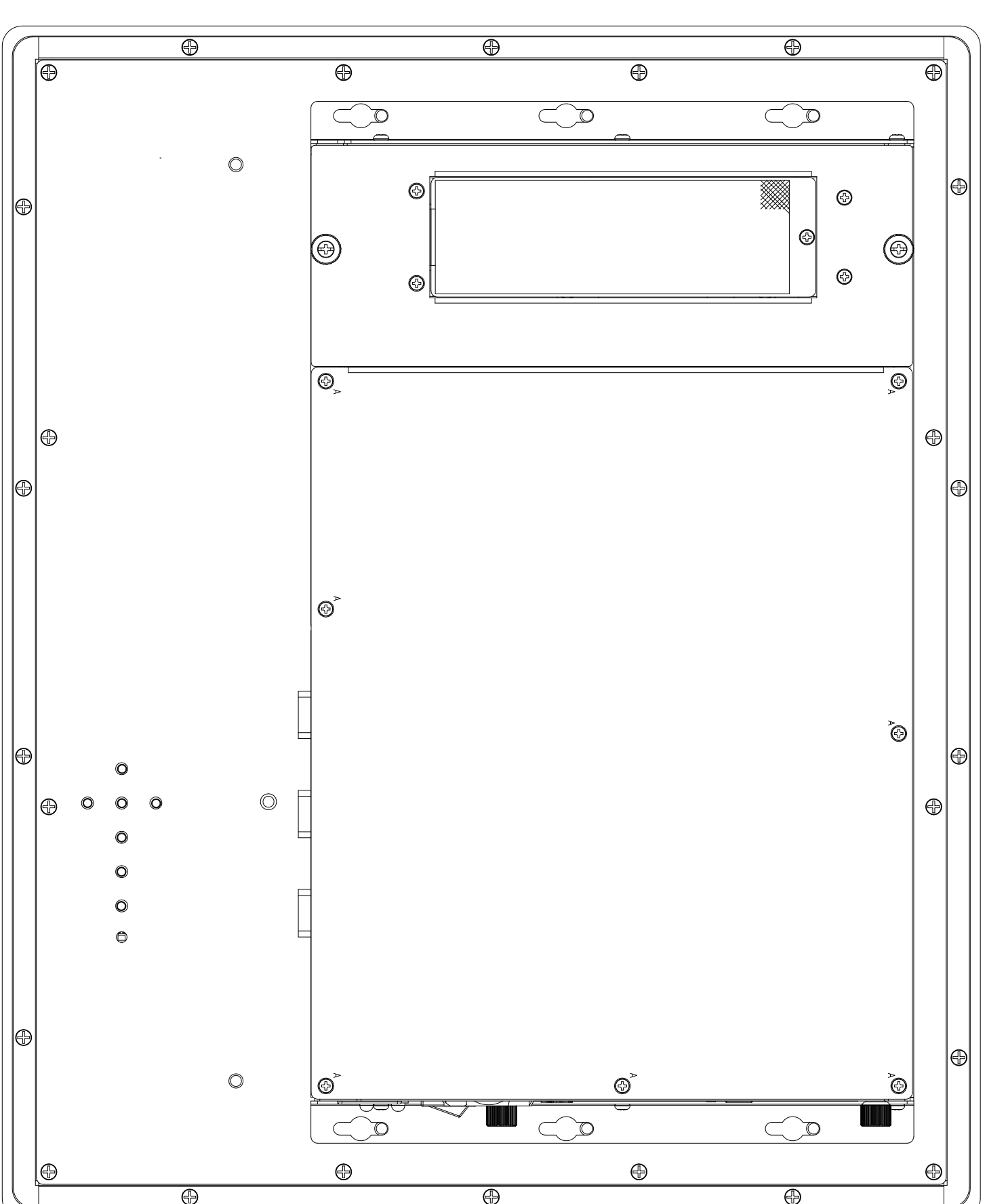
370.84
[14.61]



345.69
[13.61]



154
[6.063]



426.97
[16.81]

| ZONE | REV | DESCRIPTION | DATE | APPROVED |
|------|-----|-------------|------|----------|
| | | | | |

| ITERATION | A | B | C |
|-------------|-----|------|------|
| DATE | 4/1 | 4/12 | 4/11 |
| DESCRIPTION | 415 | 416 | 416 |
| DATE | 4/2 | 4/6 | 4/6 |
| DATE | 4/3 | 4/11 | 4/5 |

The information disclosed on this drawing is the property of ARISTA CORPORATION. Reproduction, disclosure, or the use of this document or information contained herein without the written permission of ARISTA CORPORATION is prohibited.

| | | | |
|--------|-------|------|-----|
| DESIGN | SCALE | DATE | REV |
| | | | |