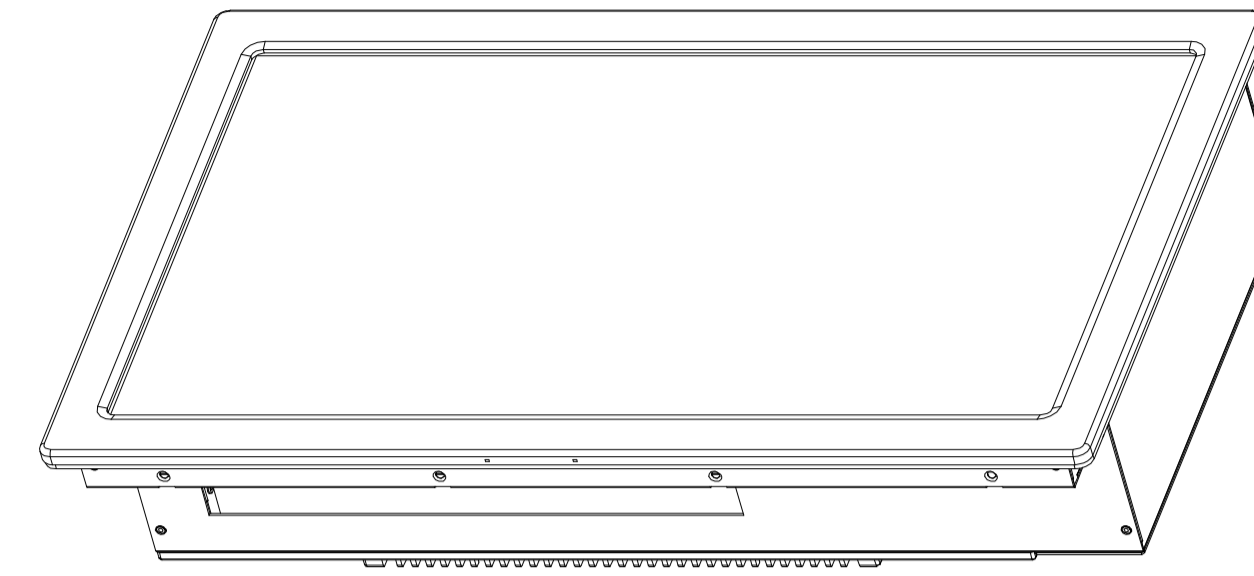
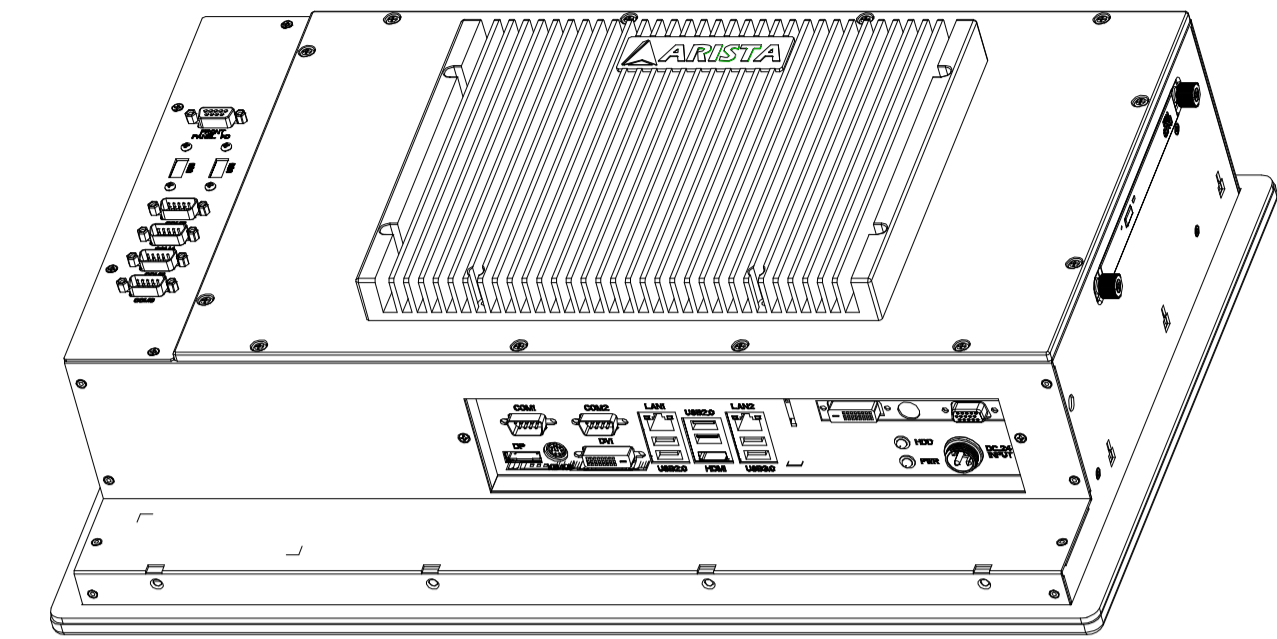


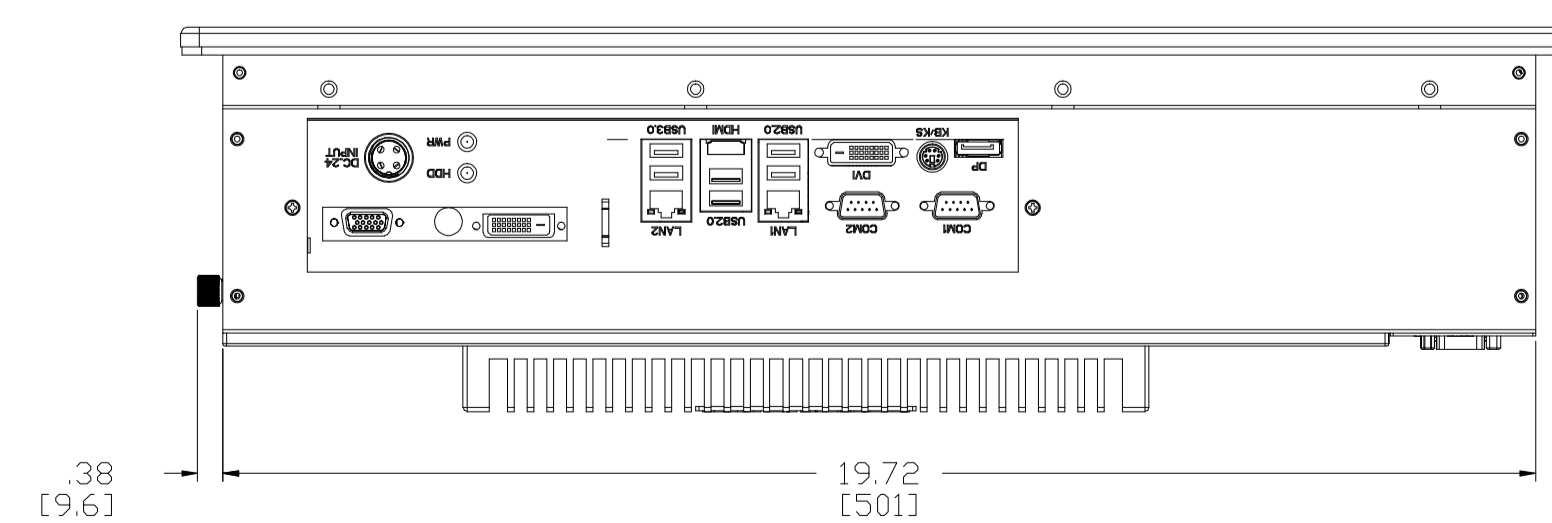
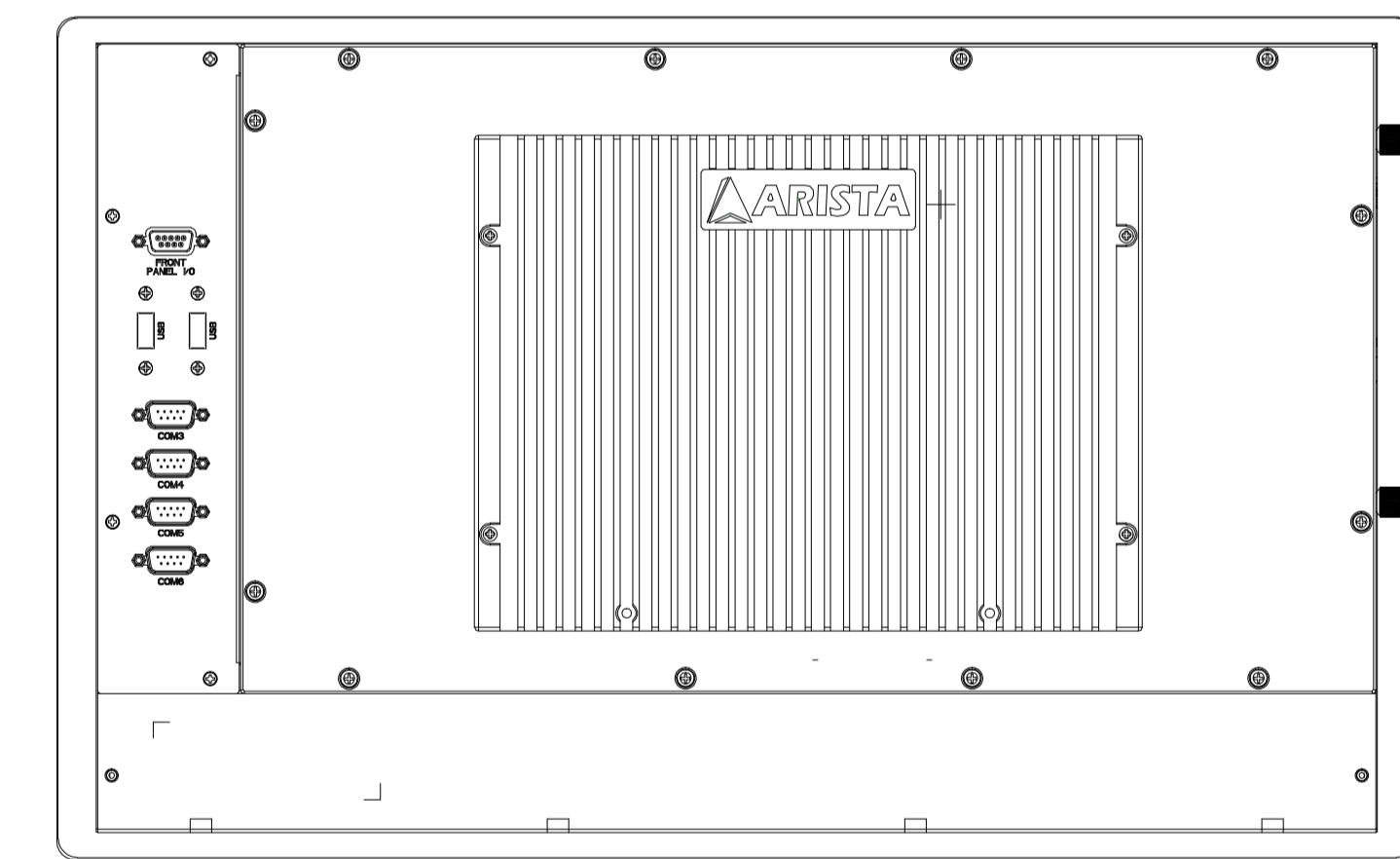
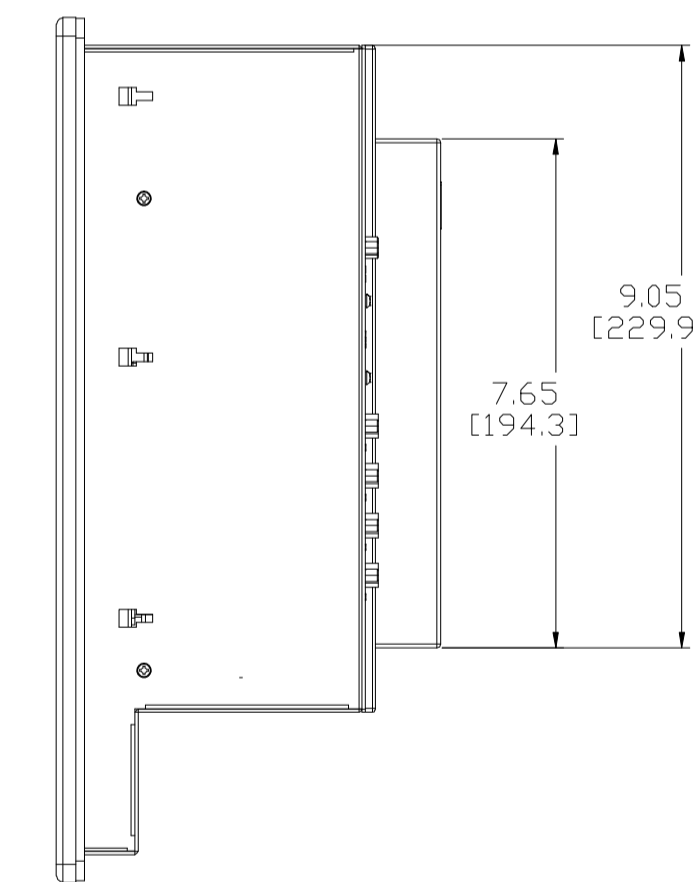
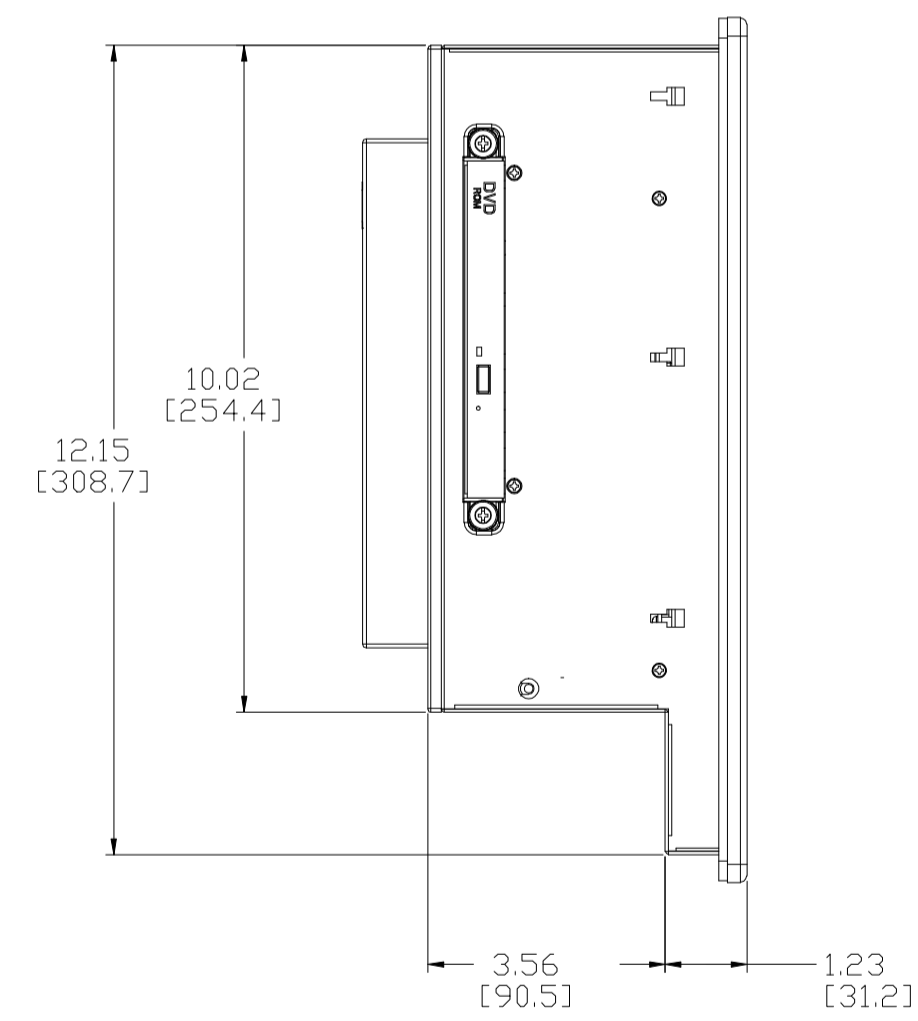
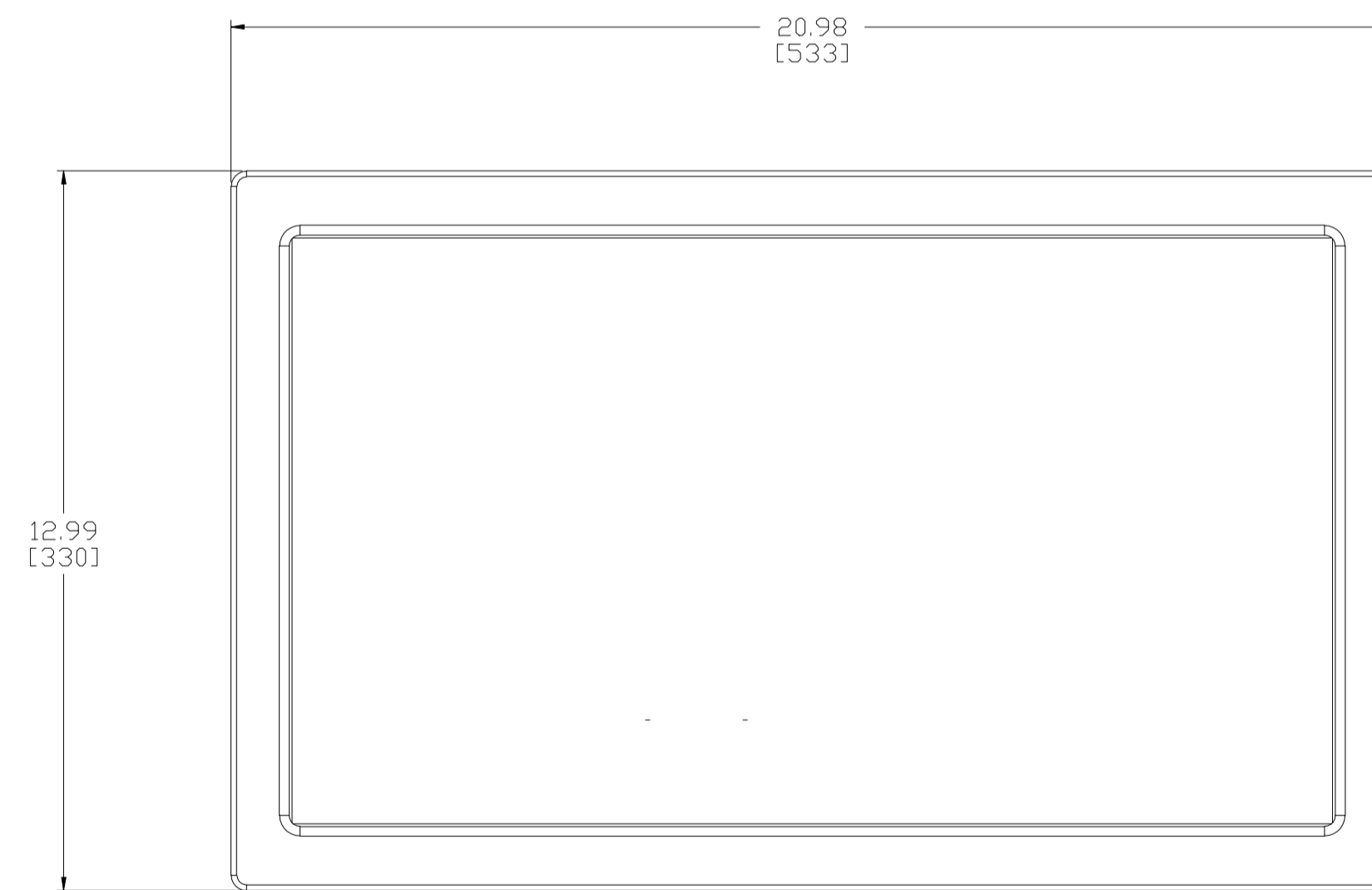
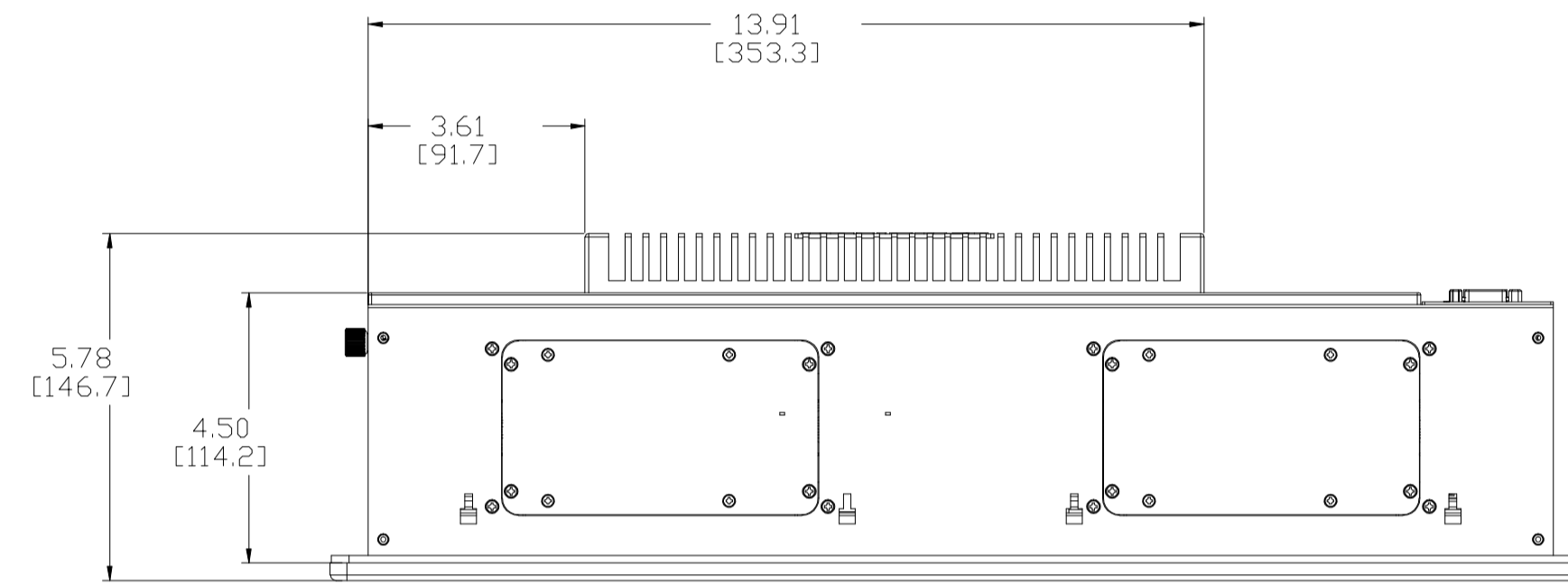
PARTS LIST			
ITEM	QTY	DESCRIPTION	P/N



比例 0.400



比例 0.400



ALL DIMENSIONS IN MILLIMETRES
 THIRD ANGLE PROJECTION

The information disclosed on this document is the exclusive property of ARISTA CORPORATION. Reproduction, disclosure, or the use of this document or information without the written permission of ARISTA CORPORATION is prohibited.

ZONE	REV	DESCRIPTION	DATE	APPROVED
REVISIONS				
TOLERANCES	A	B	C	
0-30mm	±0.1	±0.25	±0.6	
30-120mm	±0.15	±0.46	±1.1	
120-315mm	±0.2	±0.6	±1.6	
>315mm	±0.3	±1.1	±2.5	
DRN		DATE		
CHECKED		SIZE	F/SCM NO	DWG NO
DESIGN		SCALE	INV. NO	SHEET OF

ARISTA CORPORATION
 4300 Boyce Rd, Fremont, CA 94538

TITLE
 0_ARP-2221AP-G00_ARC20600

REV
 A