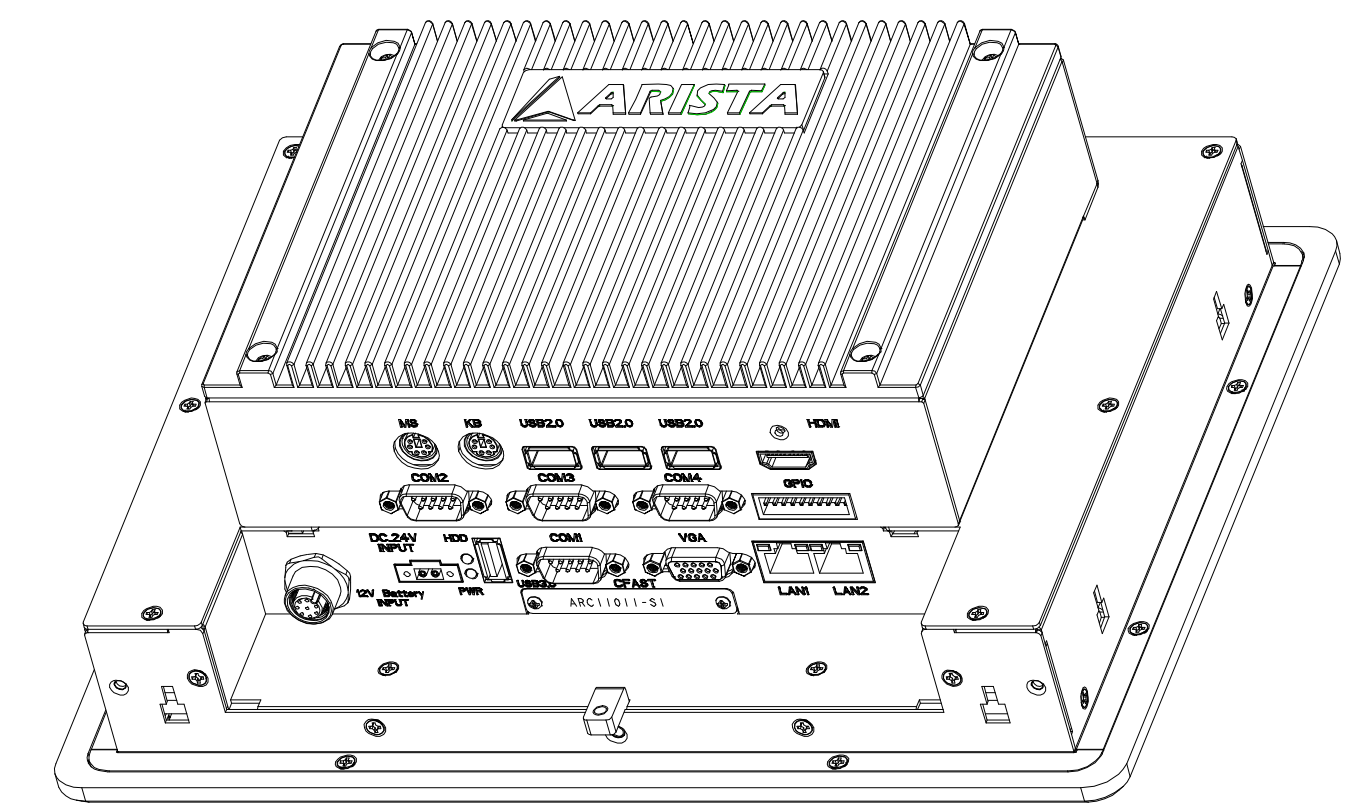
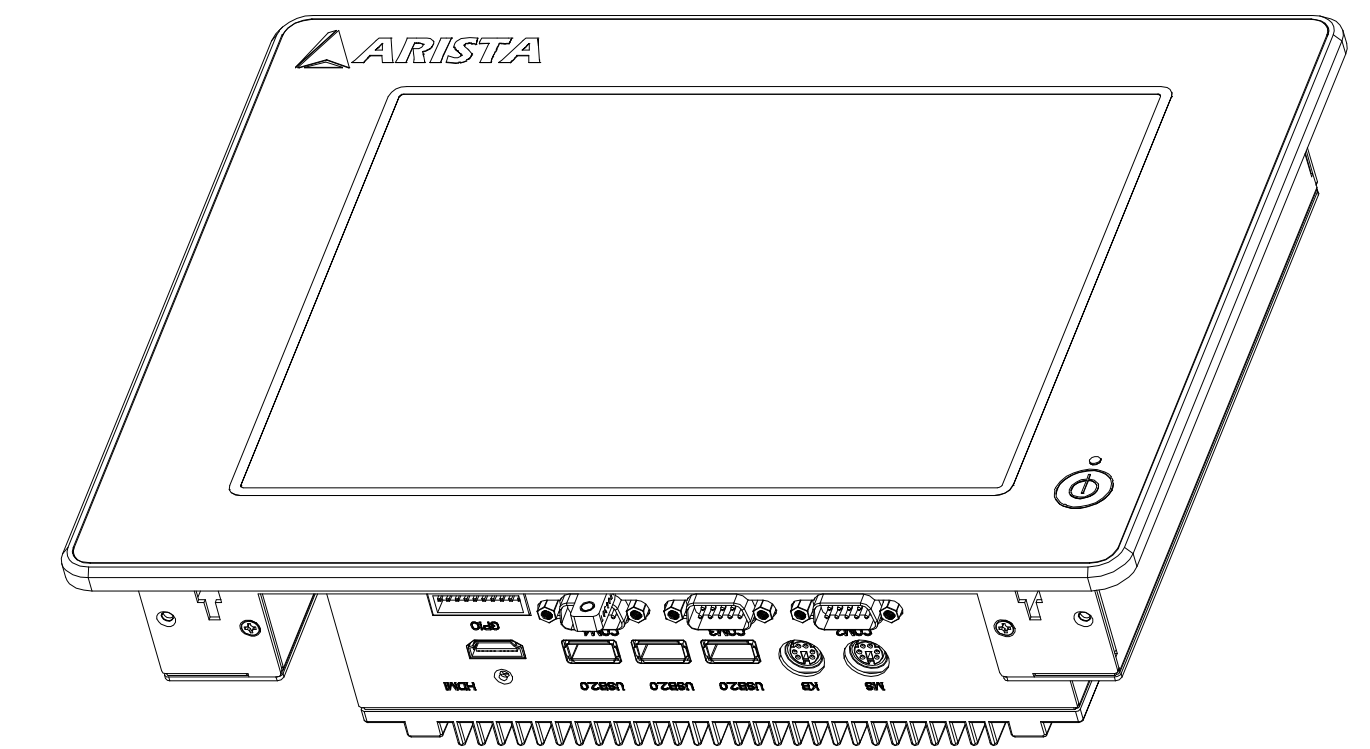
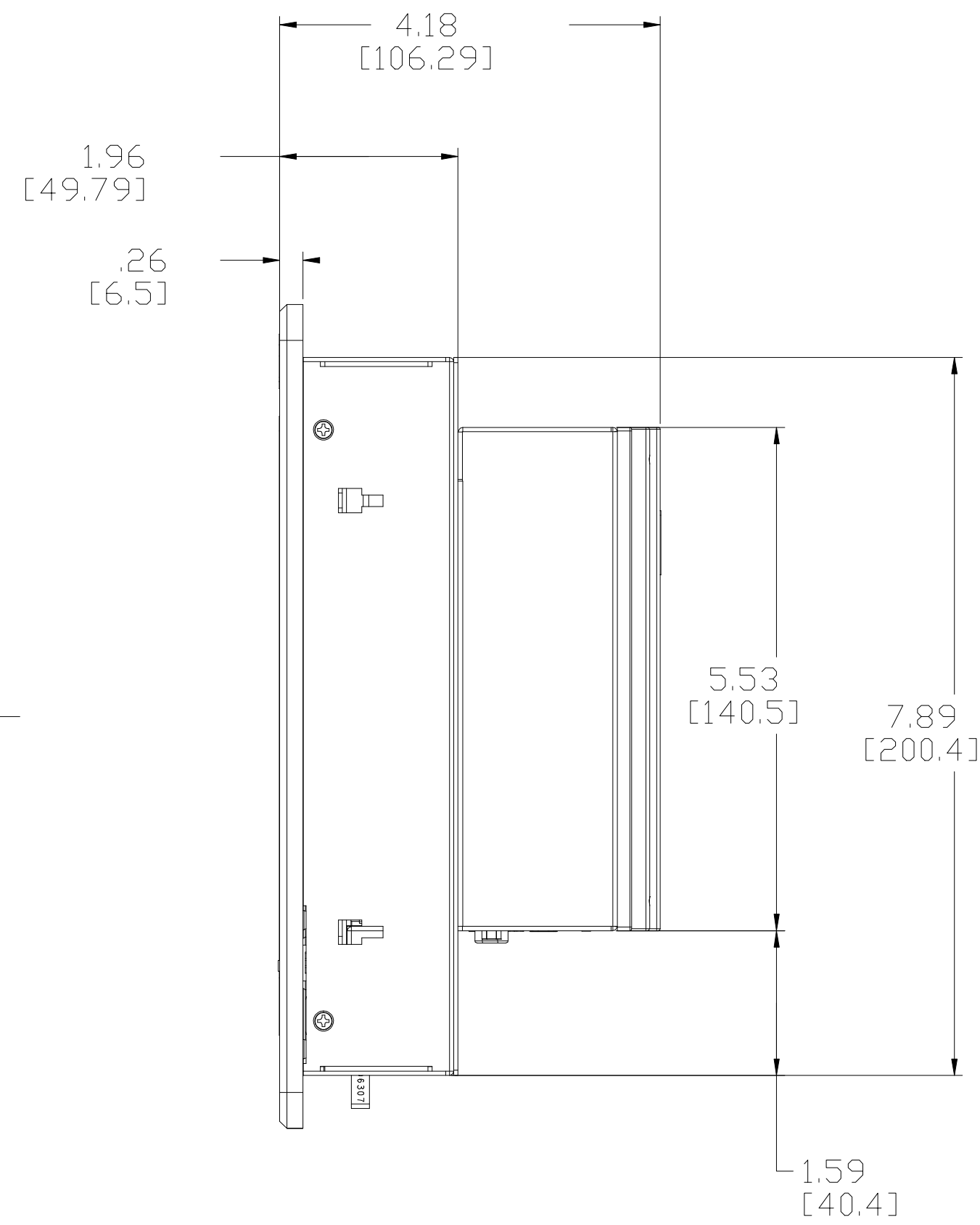
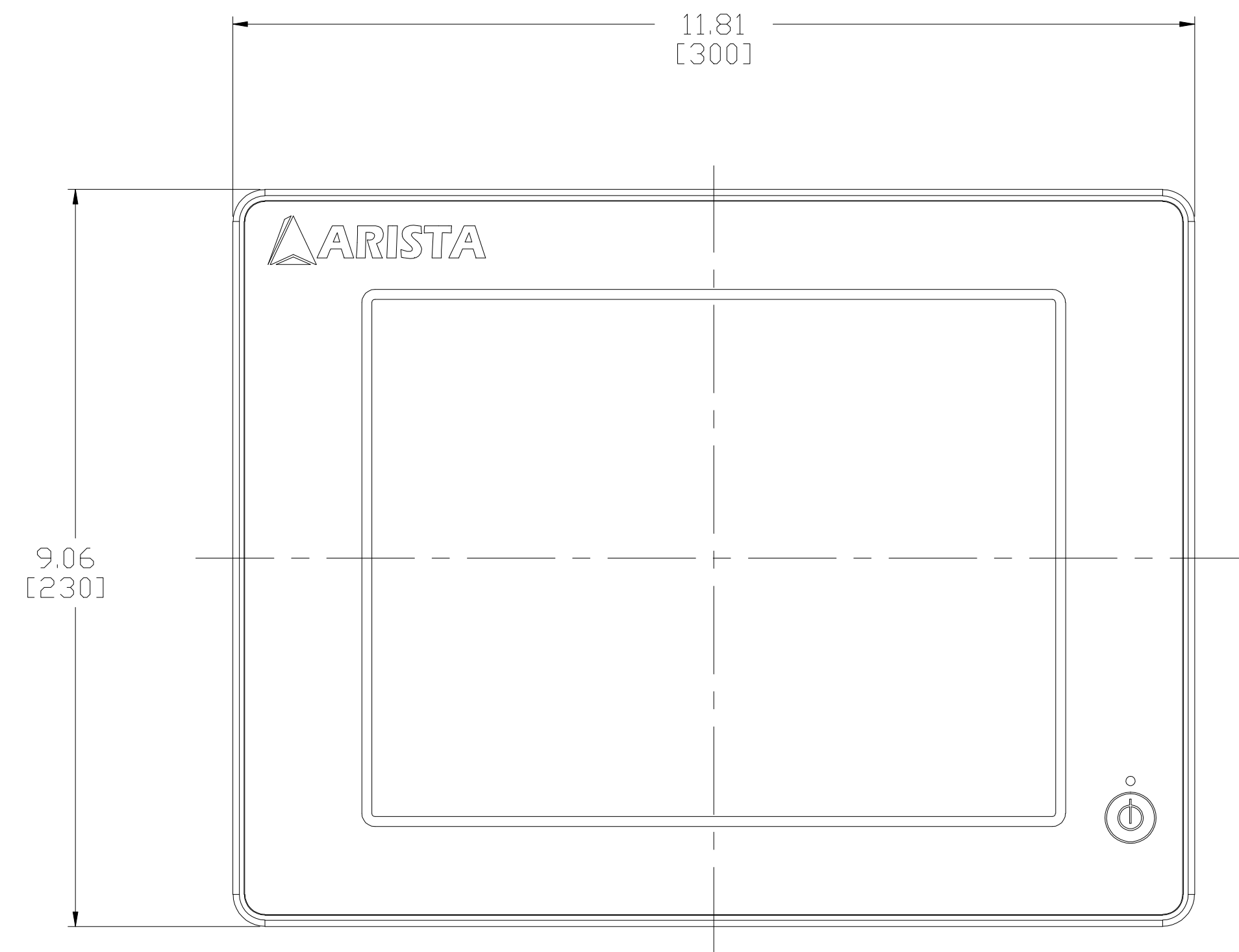
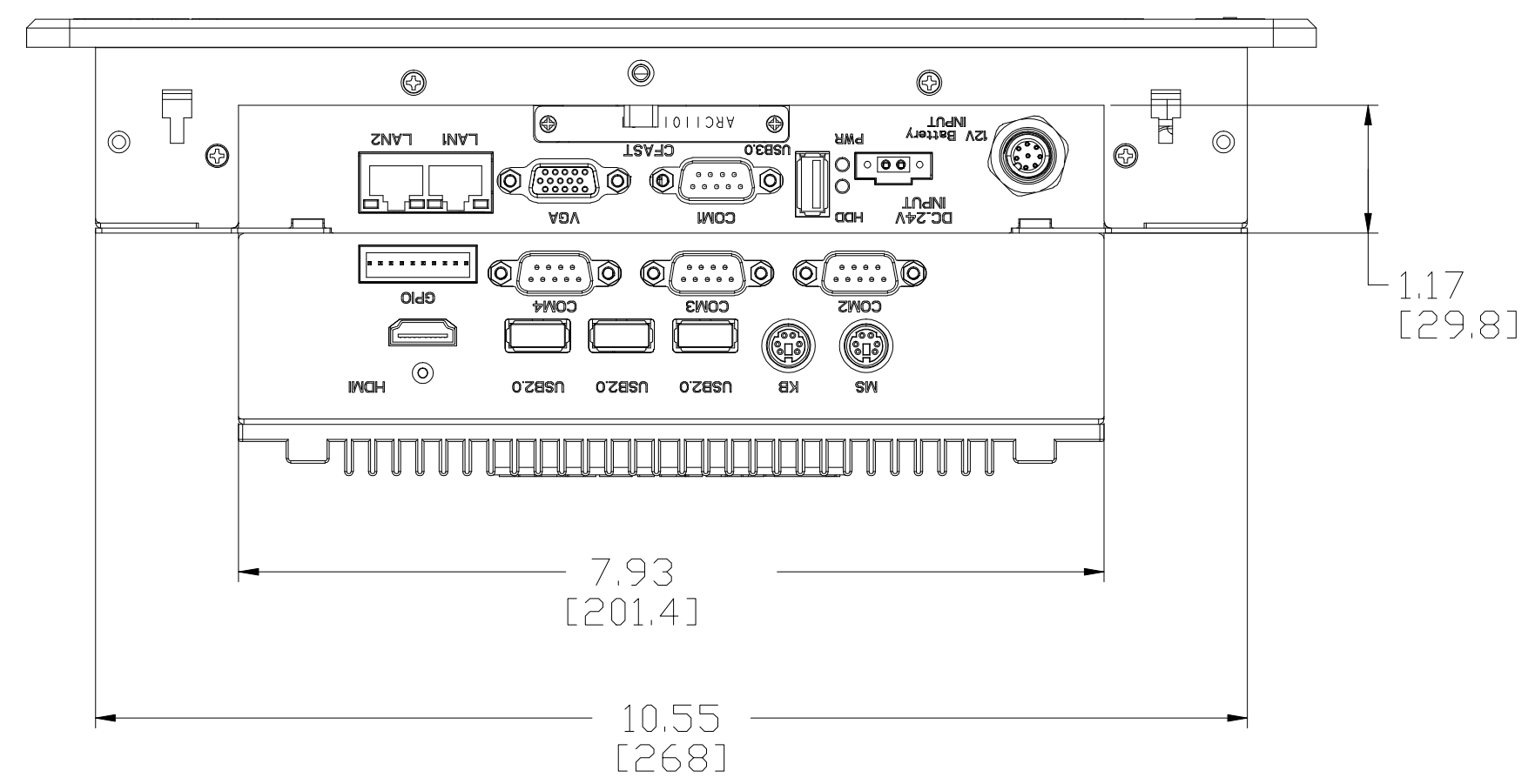


PARTS LIST			
ITEM	QTY	DESCRIPTION	P/N



比例 0.500



ALL DIMENSIONS IN MILLIMETRES
 THIRD ANGLE PROJECTION

ZONE	REV	DESCRIPTION	DATE	APPROVED
REVISIONS				

TOLERANCES		A	B	C	ARISTA CORPORATION 41300 Boyce Rd, Fremont, CA 94538	TITLE 0_ARP-3710AP-E01-ARC11600
0-30mm	±0.1	±0.25	±0.6			
30-120mm	±0.15	±0.46	±1.1			
120-315mm	±0.2	±0.6	±1.6			
>315mm	±0.3	±1.1	±2.5	DRN Pellon	DATE 2/17/16	REV A
CHECKED	DESIGN	SCALE 0.650	INVT. NO.	DWG. NO.	SHEET	DF

The information disclosed on this document is the exclusive property of ARISTA CORPORATION. Reproduction, disclosure, or the use of this document or information without the written permission of ARISTA CORPORATION is prohibited.

ECN CN