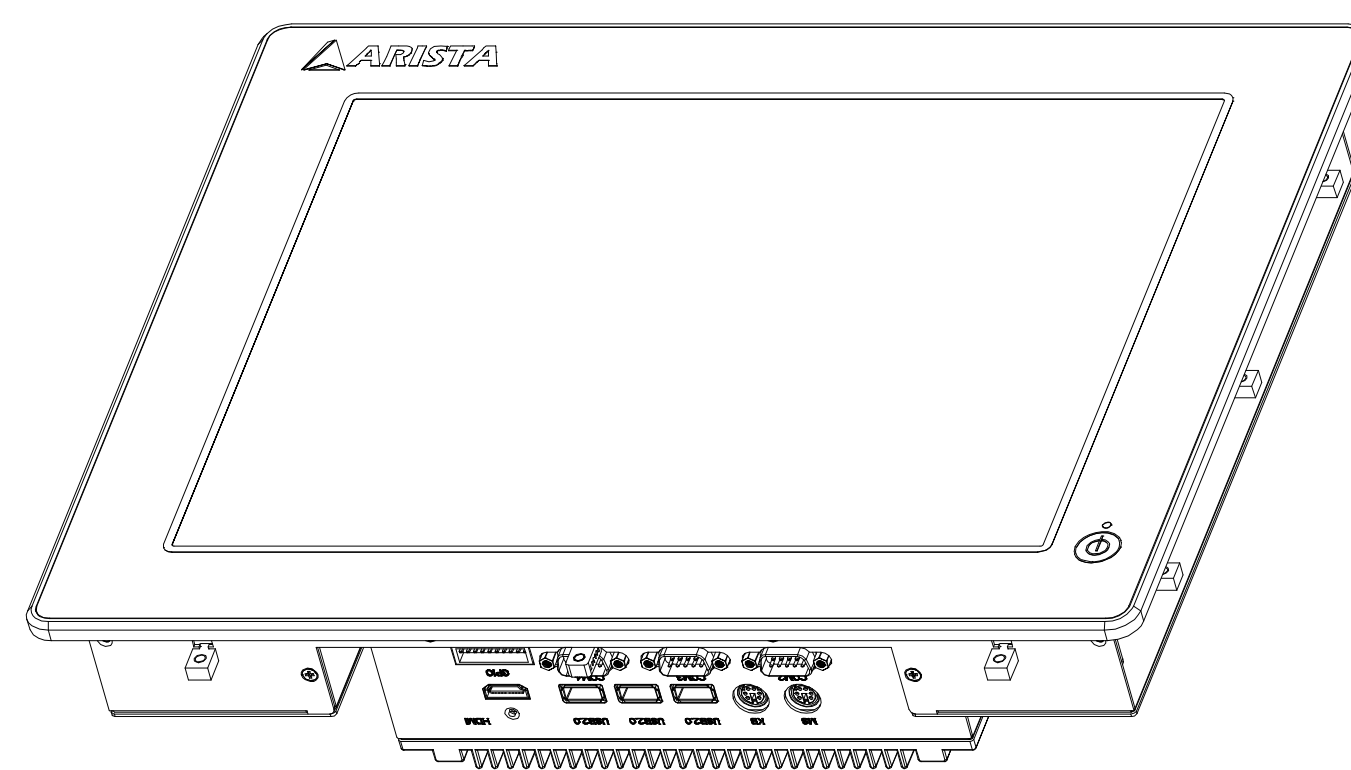
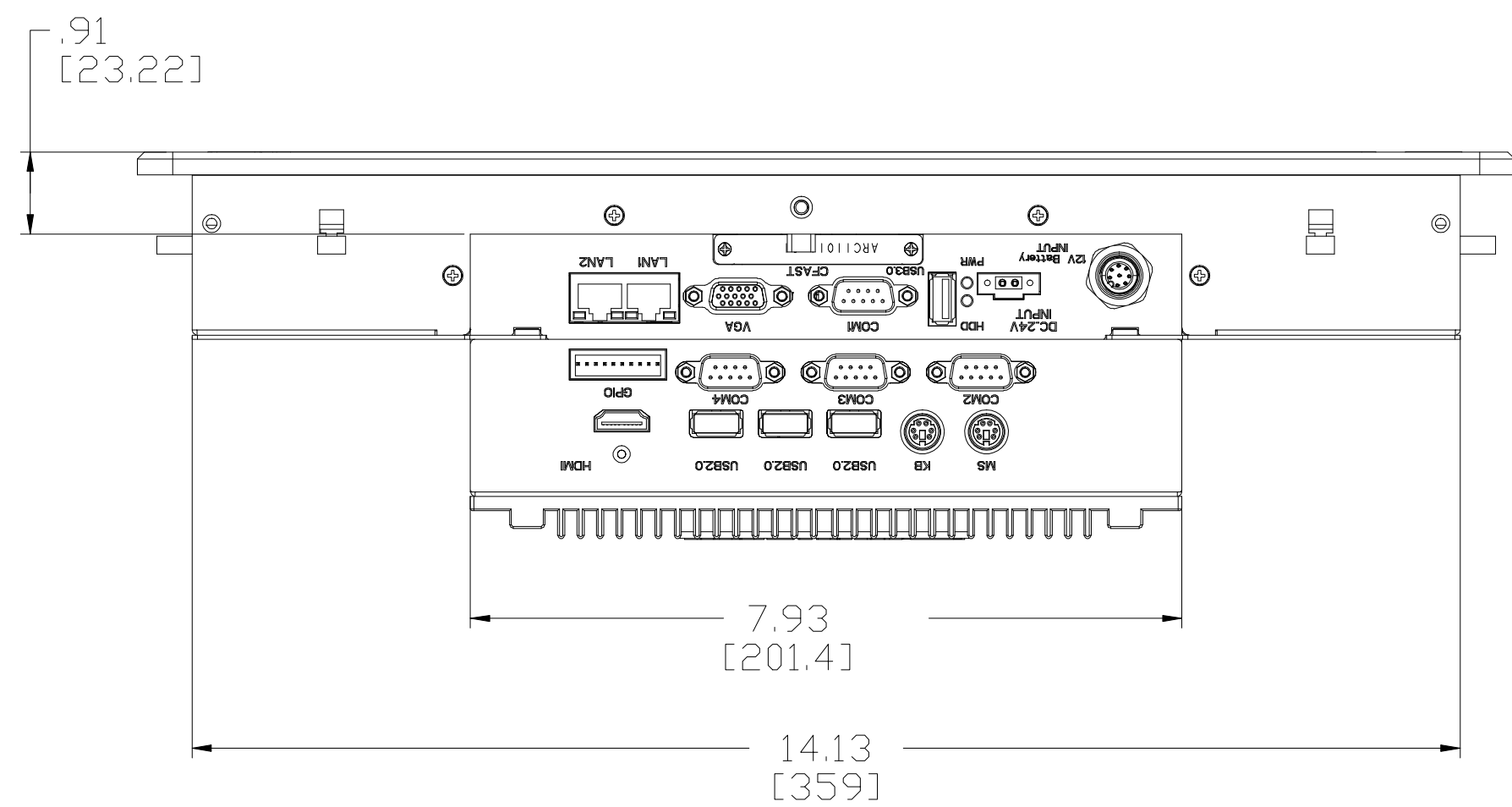
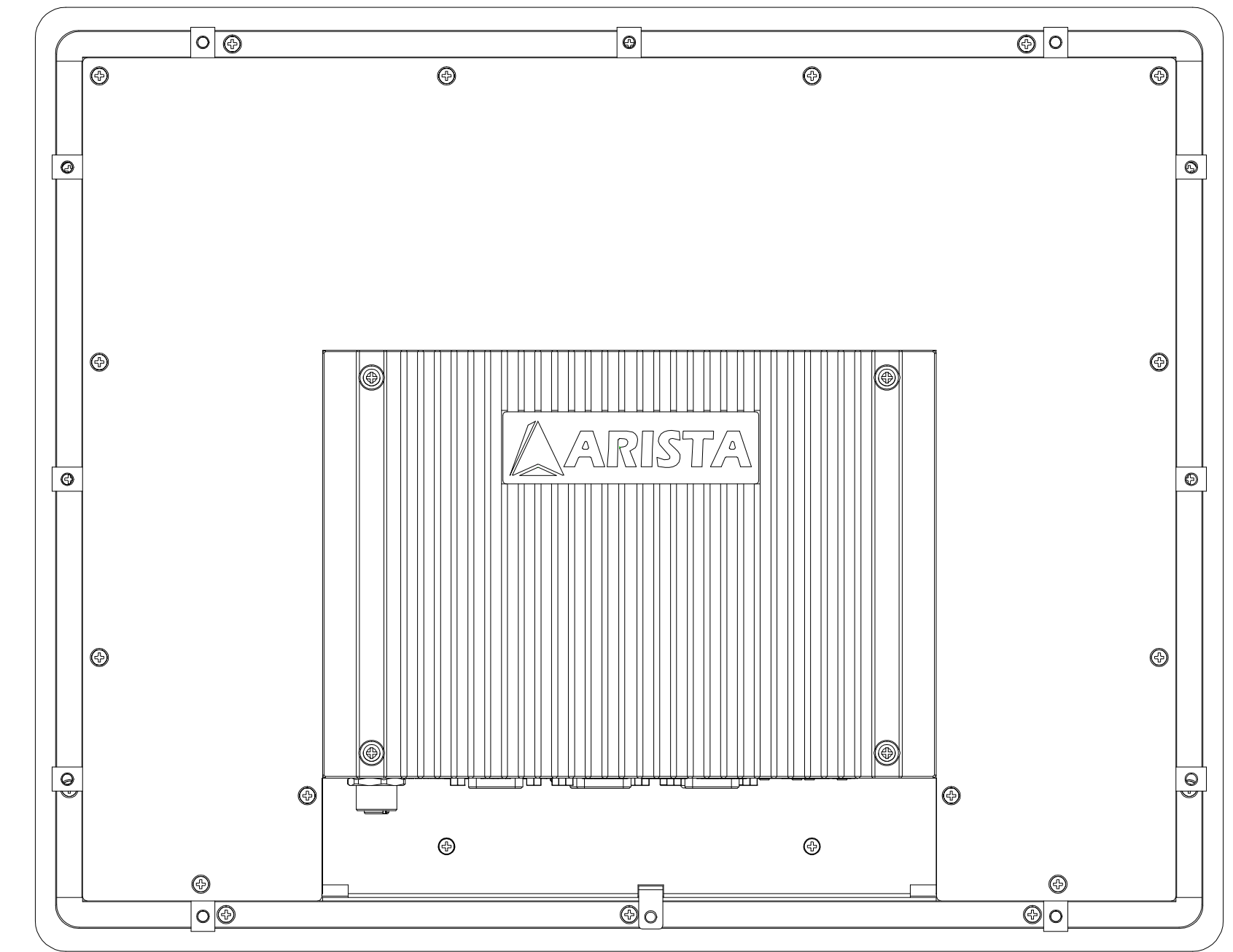
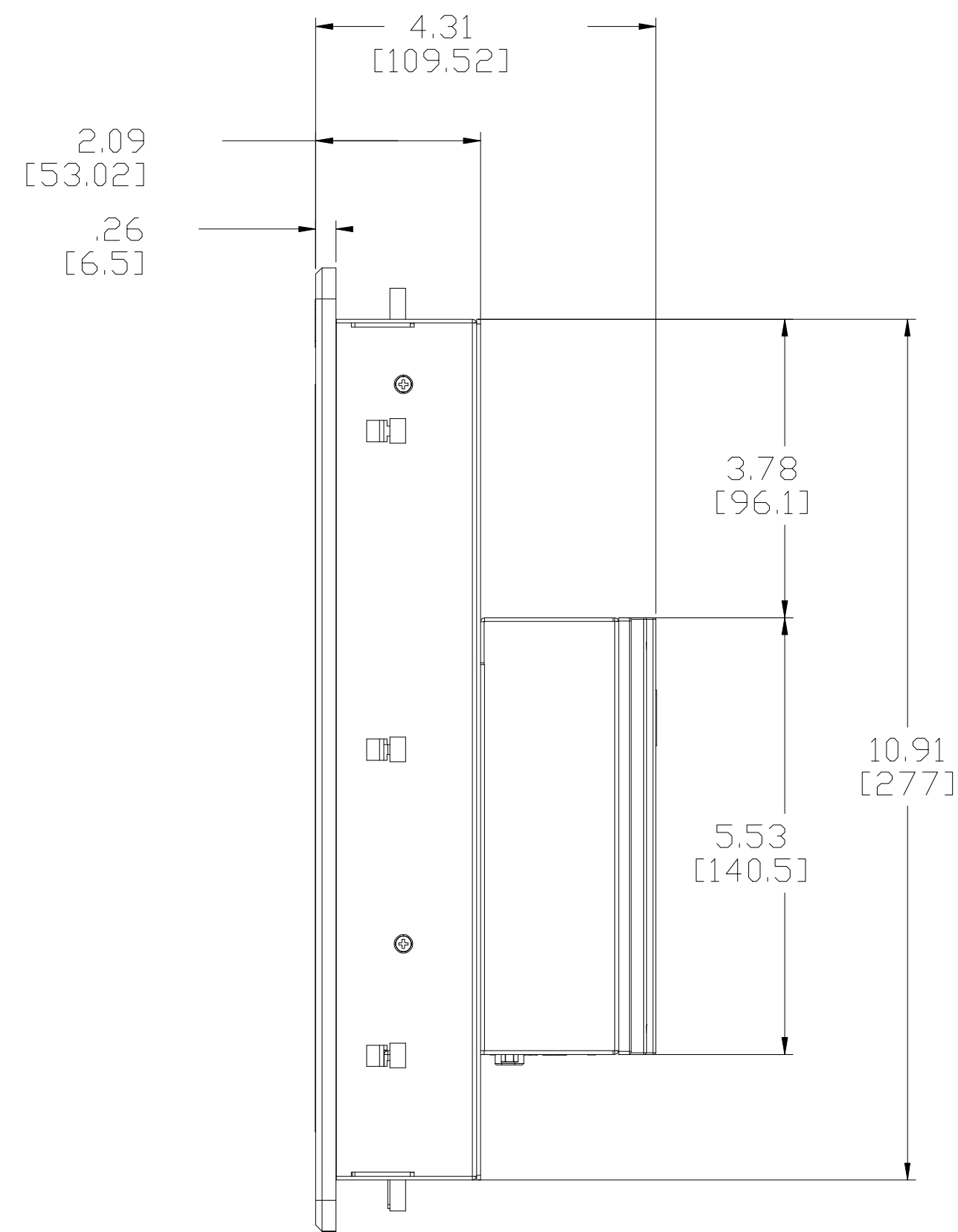
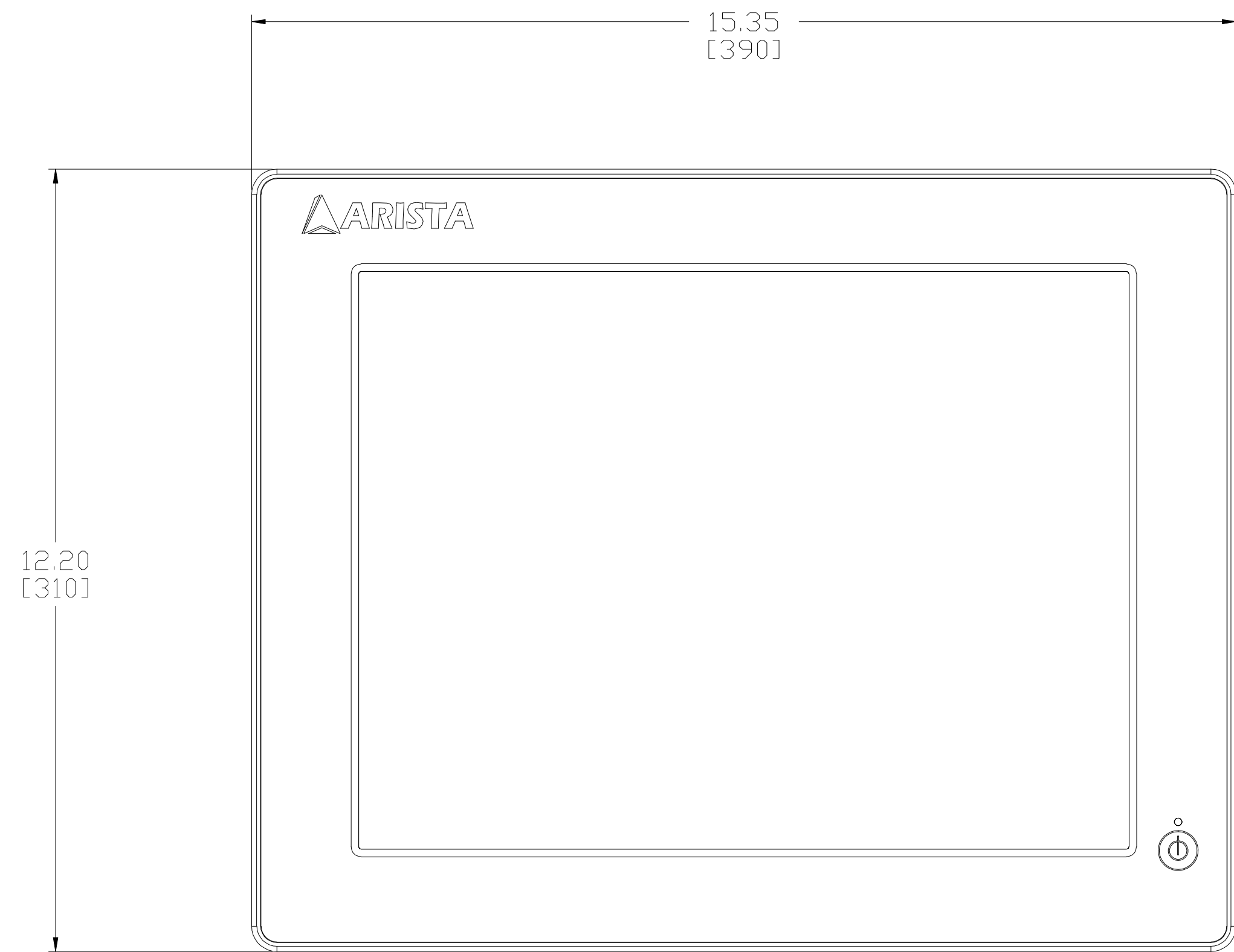
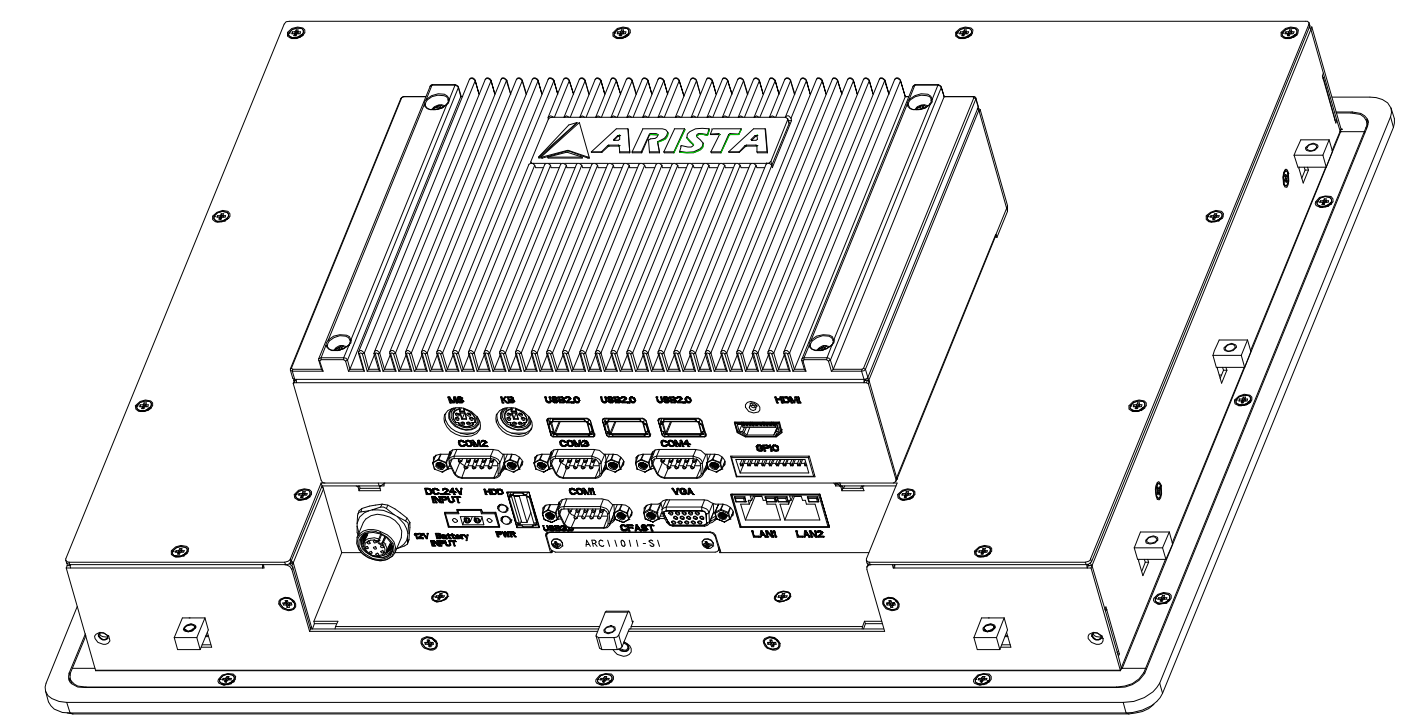


PARTS LIST			
ITEM	QTY	DESCRIPTION	P/N



比例 0.400



比例 0.400

ALL DIMENSIONS IN MILLIMETRES
 THIRD ANGLE PROJECTION

The information disclosed on this document is the exclusive property of ARISTA CORPORATION. Reproduction, disclosure, or the use of this document or information without the written permission of ARISTA CORPORATION is prohibited.

TOLERANCES	A	B	C
0-30mm	±0.1	±0.25	±0.6
30-120mm	±0.15	±0.46	±1.1
120-315mm	±0.2	±0.6	±1.6
>315mm	±0.3	±1.1	±2.5

ZONE	REV	DESCRIPTION	DATE	APPROVED
REVISIONS				
ARISTA CORPORATION 41300 Boyce Rd, Fremont, CA 94538				
TITLE 0_ARP-3715AP-E01_ARC11700				
CHECKED	DESIGN	DATE	SIZE D	FSCM NO. DWG NO.
ECN		CN	比例 0.550	INV. NO. SHEET DF

DRN Pellon
 DATE
 REV A