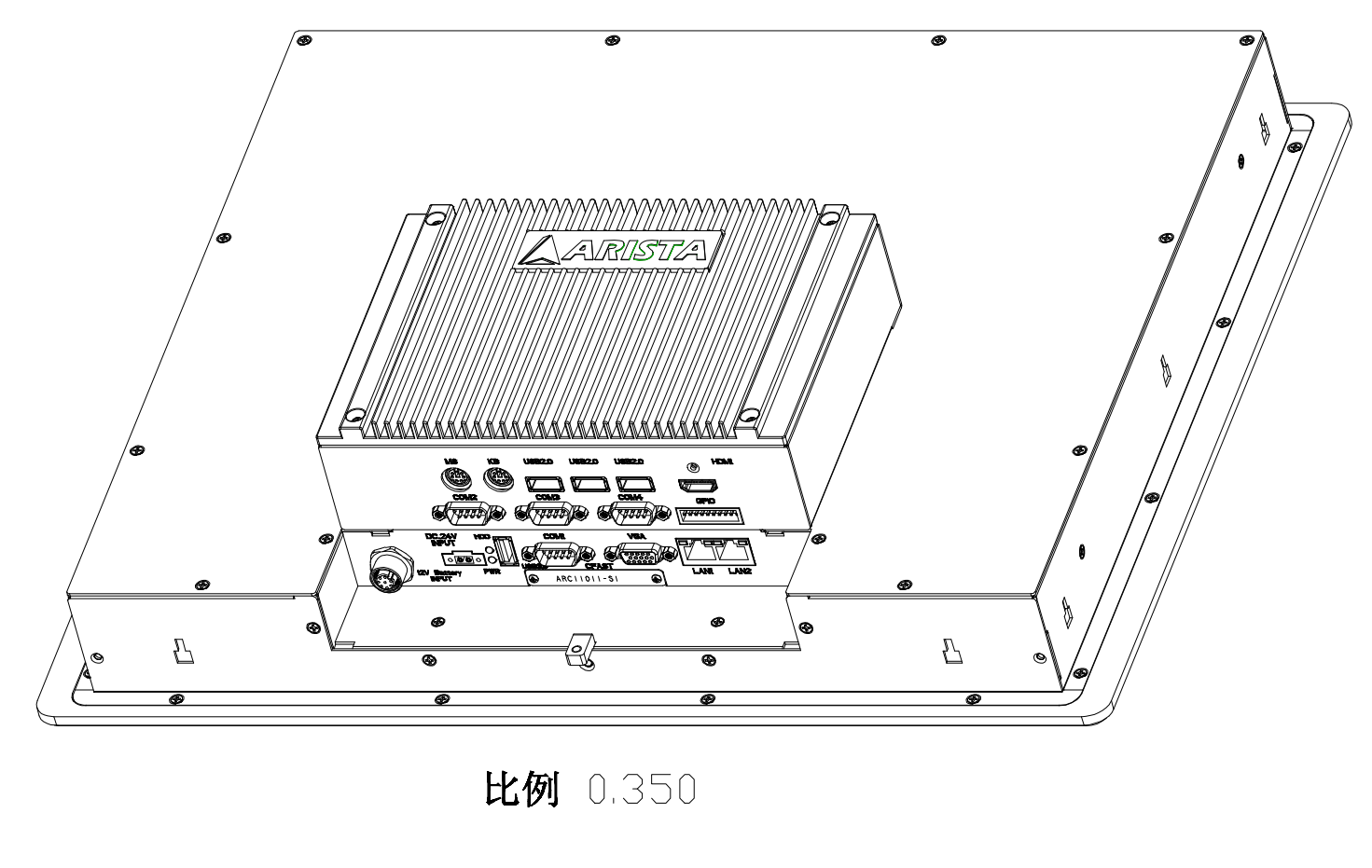
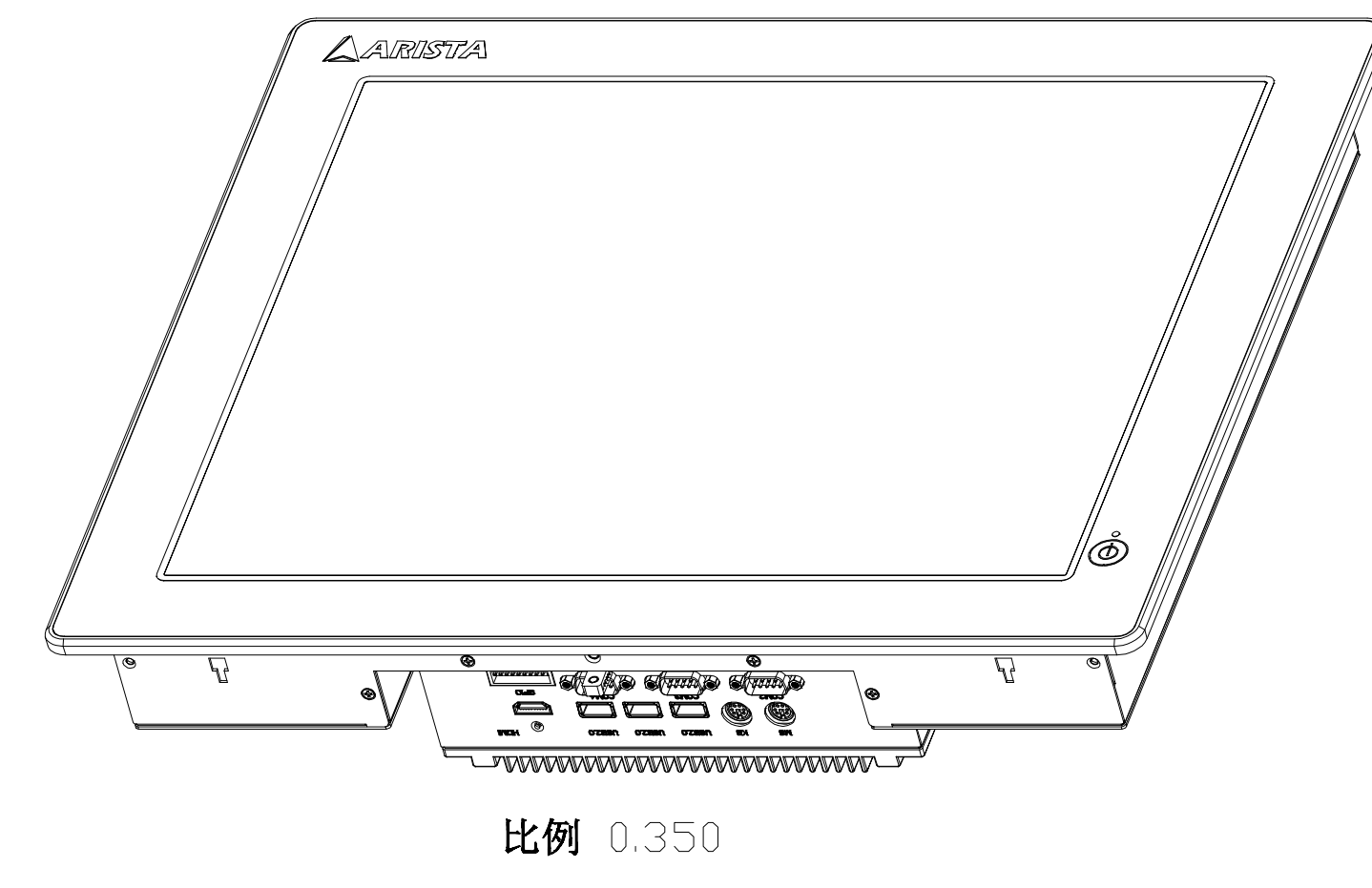
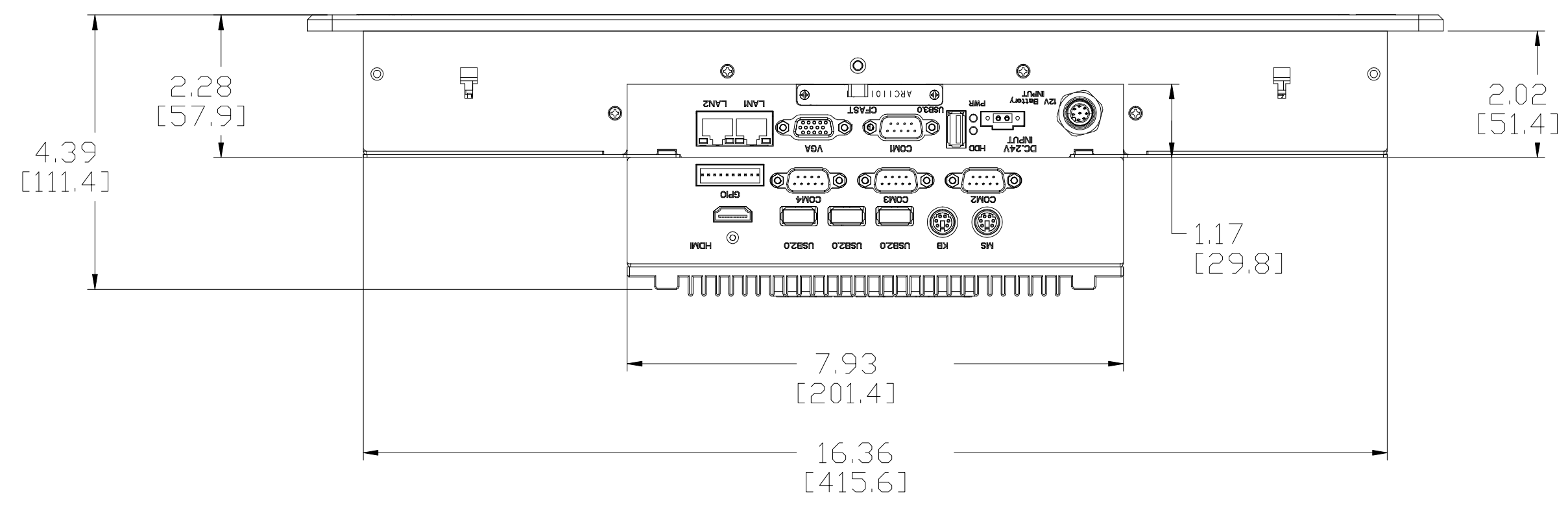
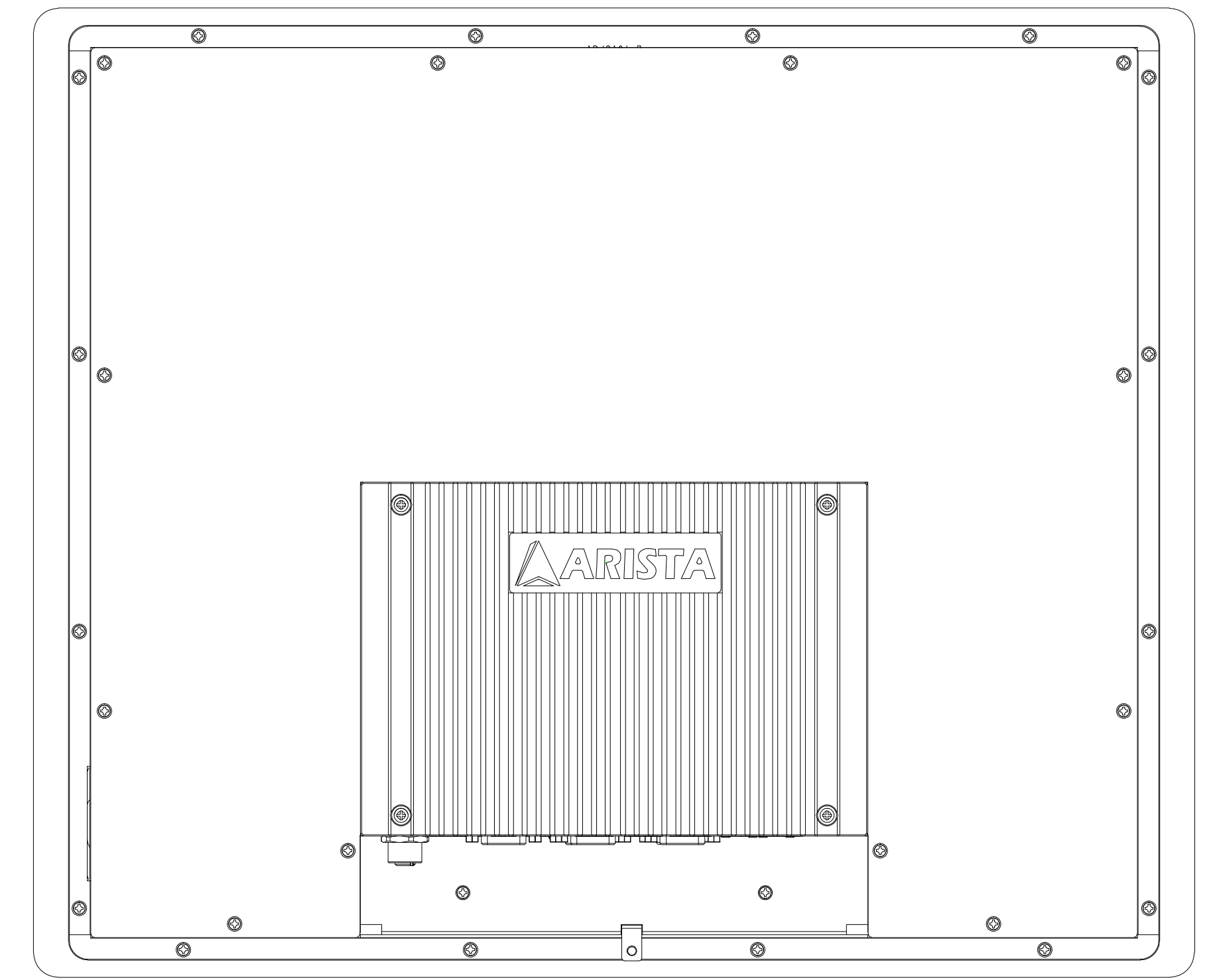
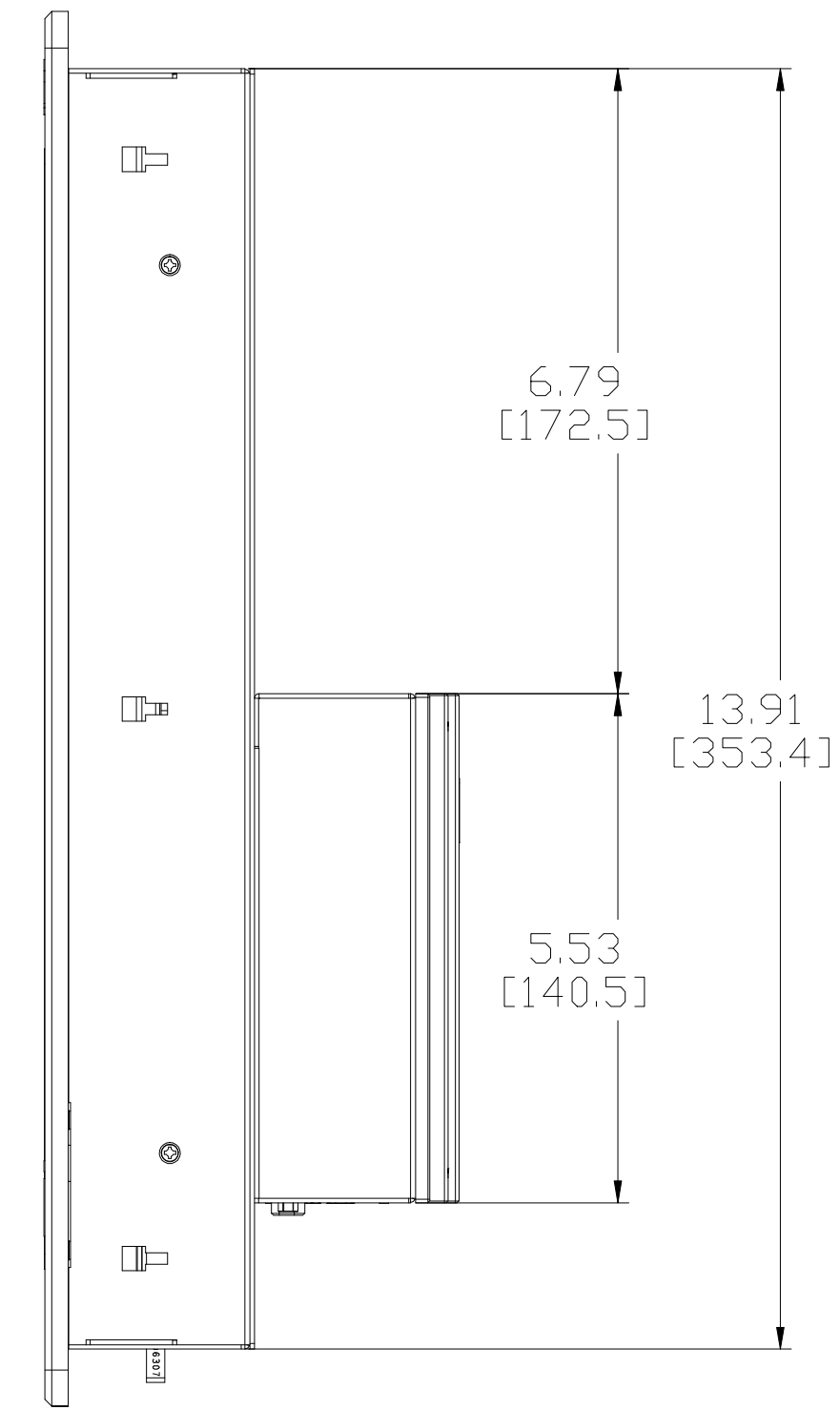
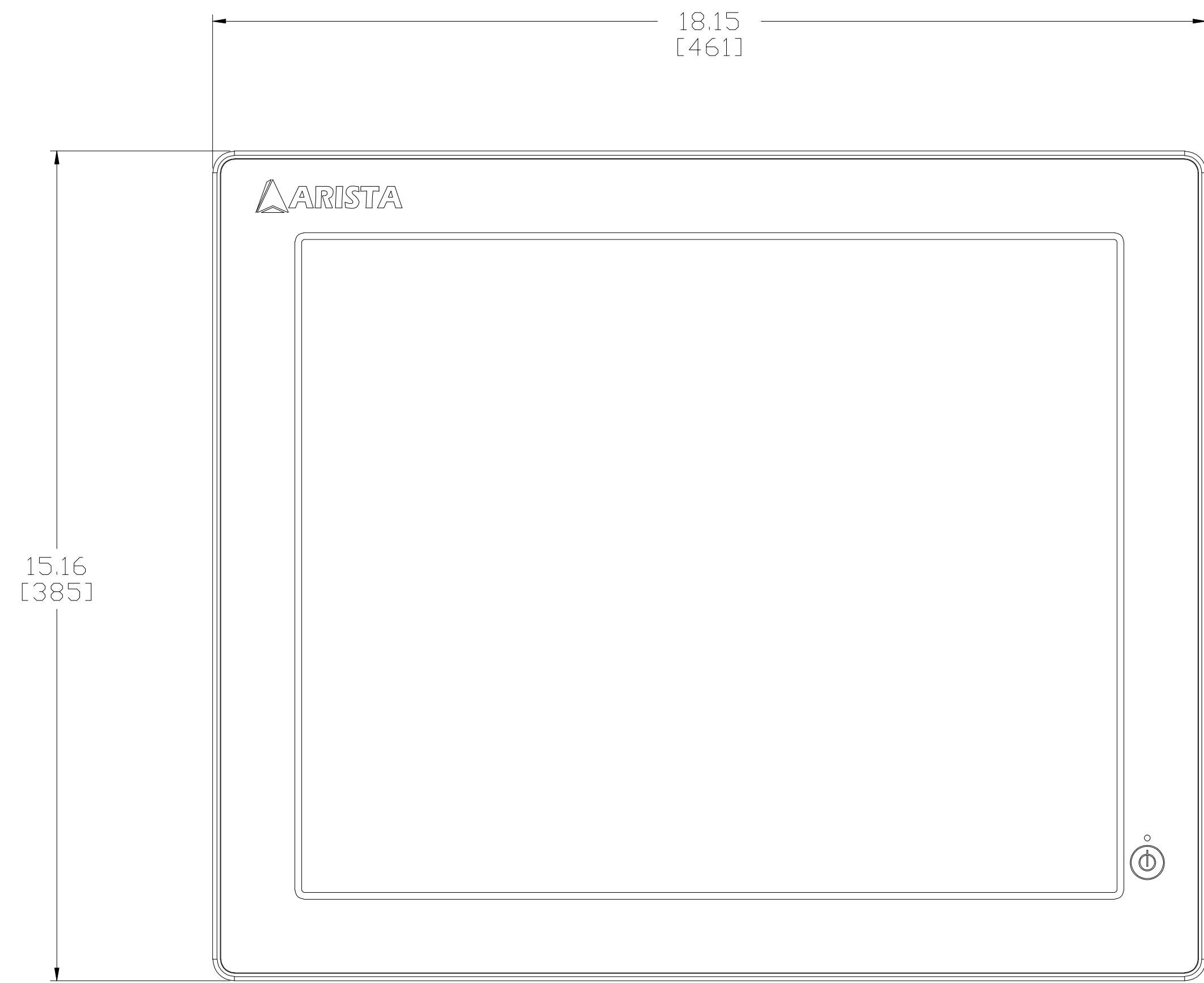


PARTS LIST			
ITEM	QTY	DESCRIPTION	P/N



ALL DIMENSIONS IN MILLIMETRES  
 THIRD ANGLE PROJECTION

The information disclosed on this document is the exclusive property of ARISTA CORPORATION. Reproduction, disclosure, or the use of this document or information without the written permission of ARISTA CORPORATION is prohibited.

TOLERANCES	A	B	C
0-30mm	±0.1	±0.25	±0.6
30-120mm	±0.15	±0.46	±1.1
120-315mm	±0.2	±0.6	±1.6
>315mm	±0.3	±1.1	±2.5

ZONE		REV	DESCRIPTION	DATE	APPROVED
REVISIONS					
ARISTA CORPORATION 41300 Boyce Rd, Fremont, CA 94538					
TITLE 0_ARP-3719AP-E01-ARC11900					
CHECKED	DESIGN	DRN	DATE	SIZE D	FSCM NO. DWG NO.
ECN		CN	比例 0.500	INV. NO.	SHEET DF