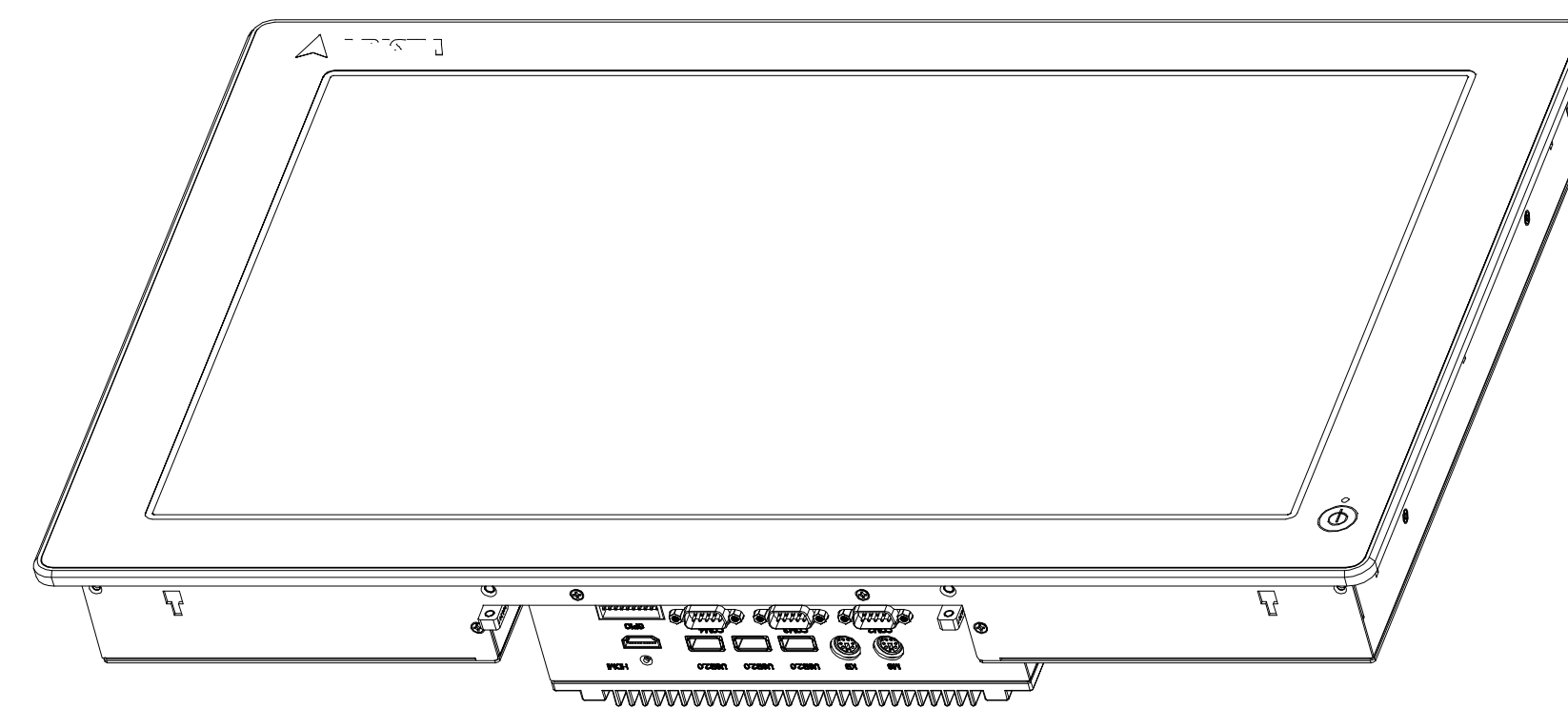
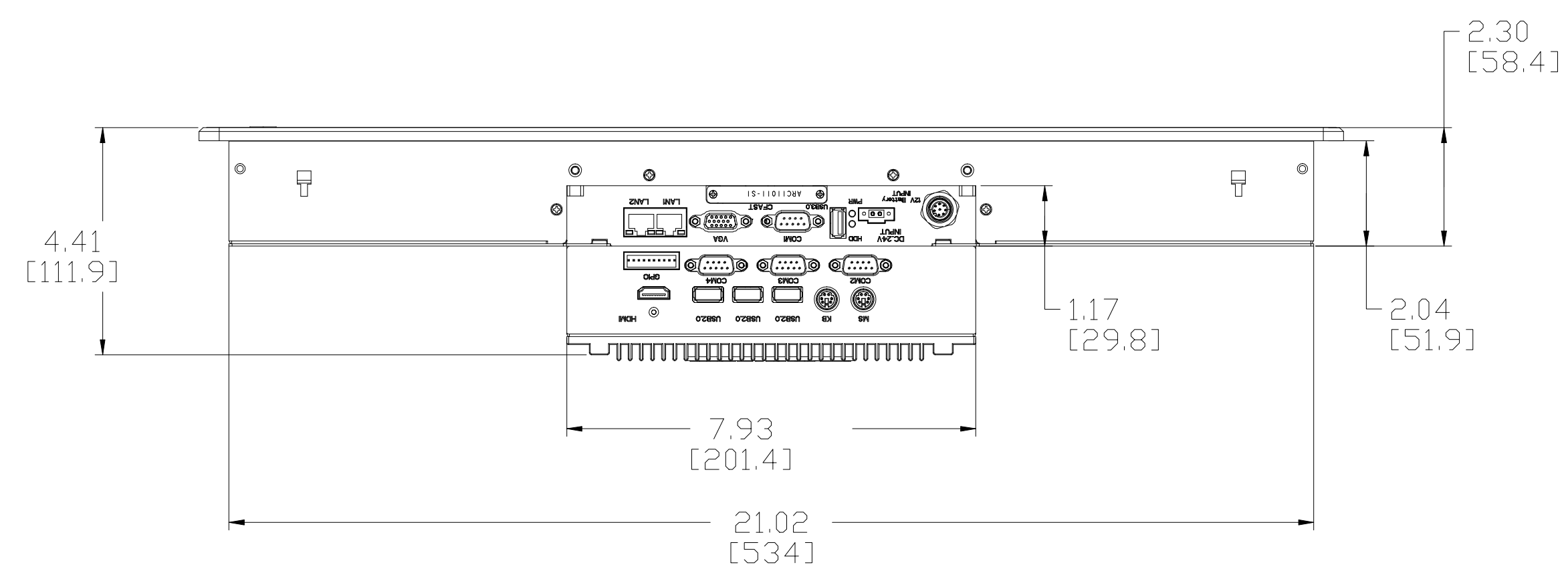
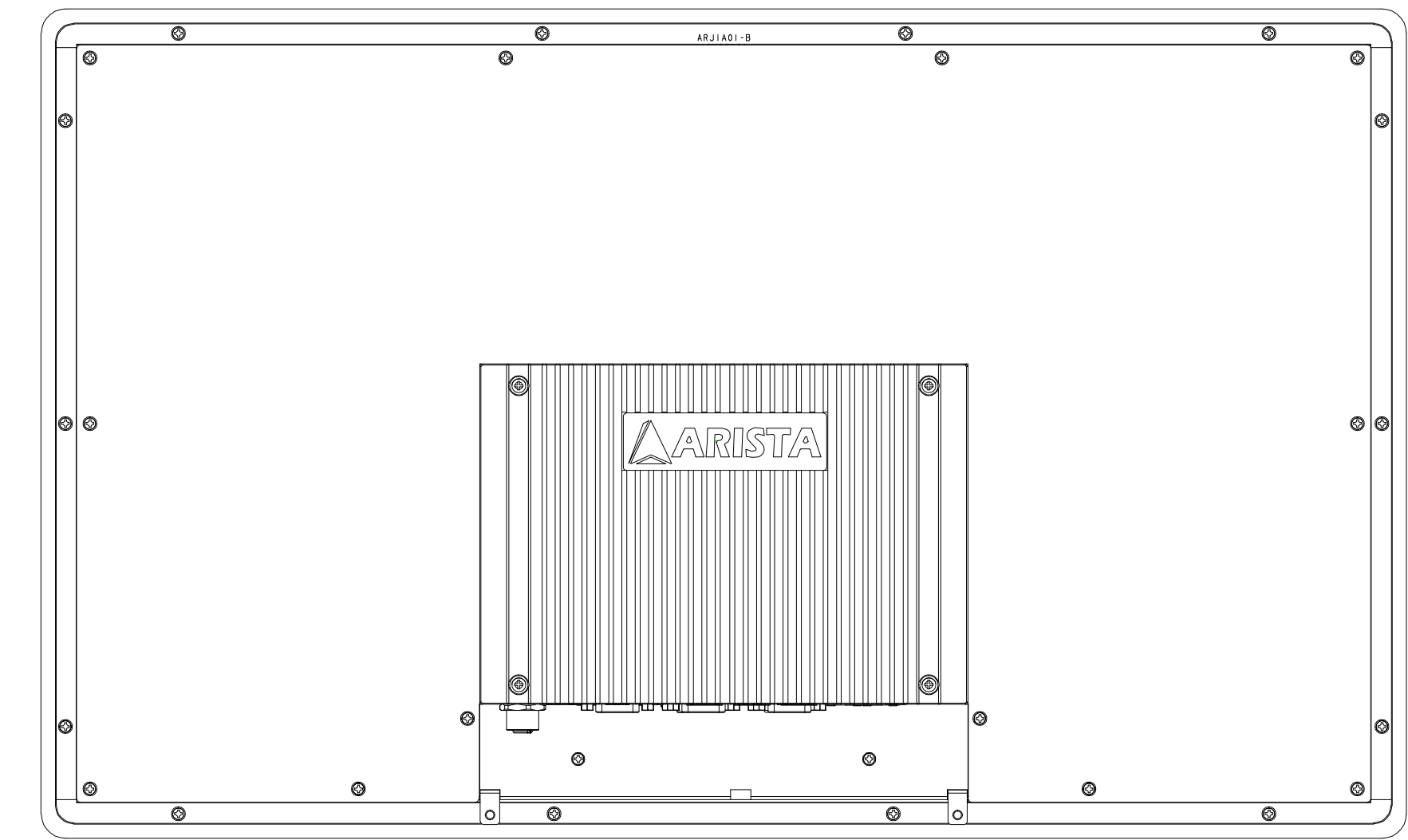
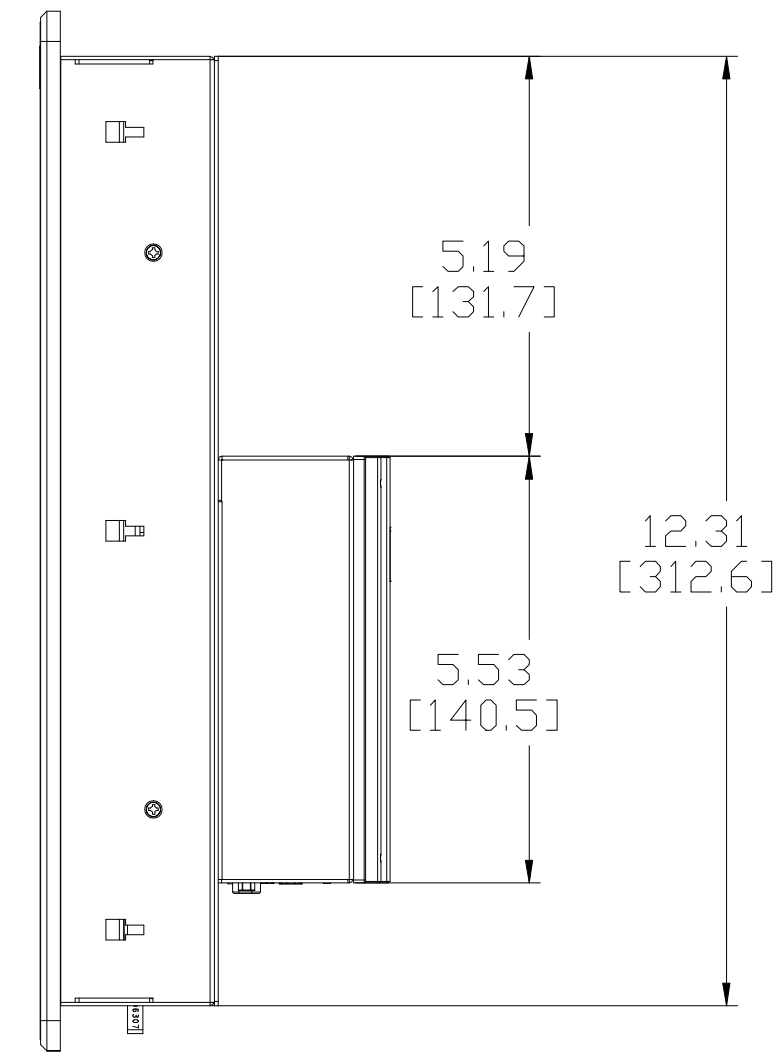
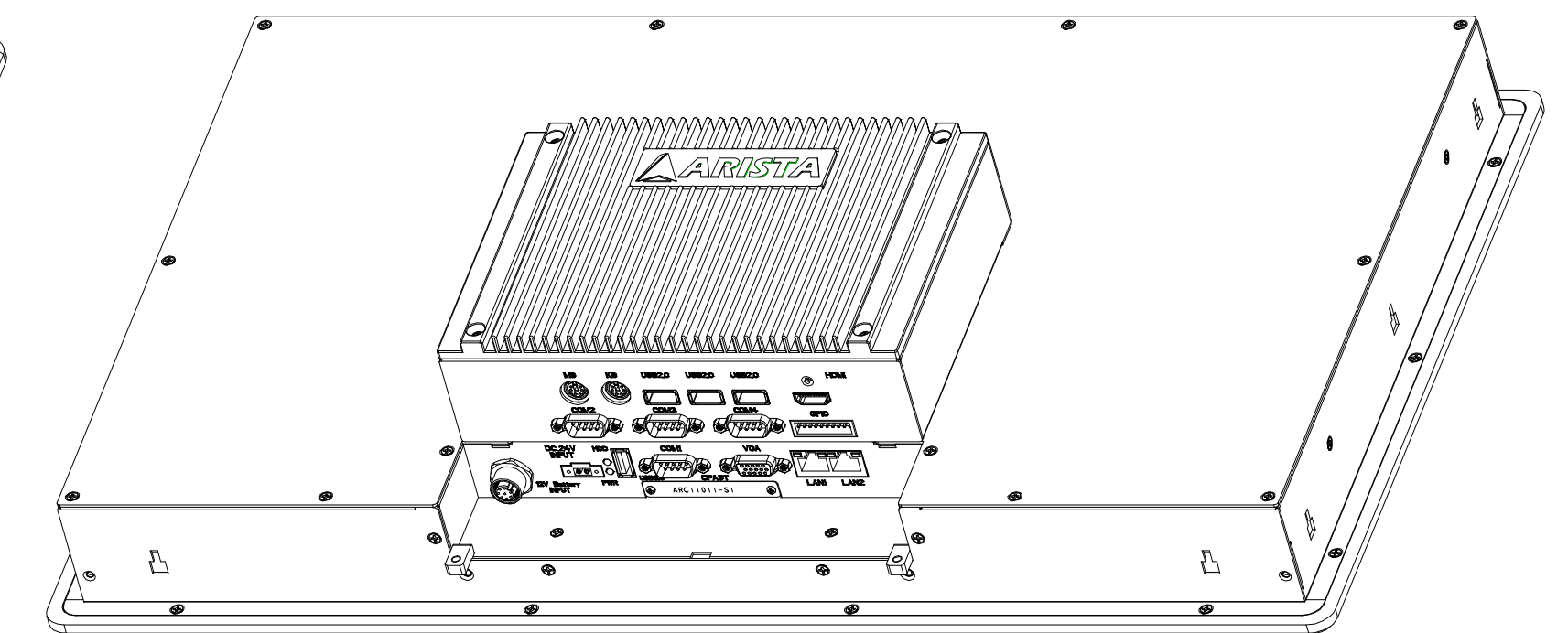


PARTS LIST			
ITEM	QTY	DESCRIPTION	P/N



比例 0.350



比例 0.350

ALL DIMENSIONS IN MILLIMETRES
 THIRD ANGLE PROJECTION

The information disclosed on this document is the exclusive property of ARISTA CORPORATION. Reproduction, disclosure, or the use of this document or information without the written permission of ARISTA CORPORATION is prohibited.

TOLERANCES	A	B	C
0-30mm	±0.1	±0.25	±0.6
30-120mm	±0.15	±0.46	±1.1
120-315mm	±0.2	±0.6	±1.6
>315mm	±0.3	±1.1	±2.5

ARISTA CORPORATION 41300 Boyce Rd, Fremont, CA 94538	
TITLE 0_ARP-3721AP-E01_ARC12000	
SIZE D	FSCM NO.
DRN Pellon	DATE

ZONE	REV	DESCRIPTION	DATE	APPROVED
REVISIONS				