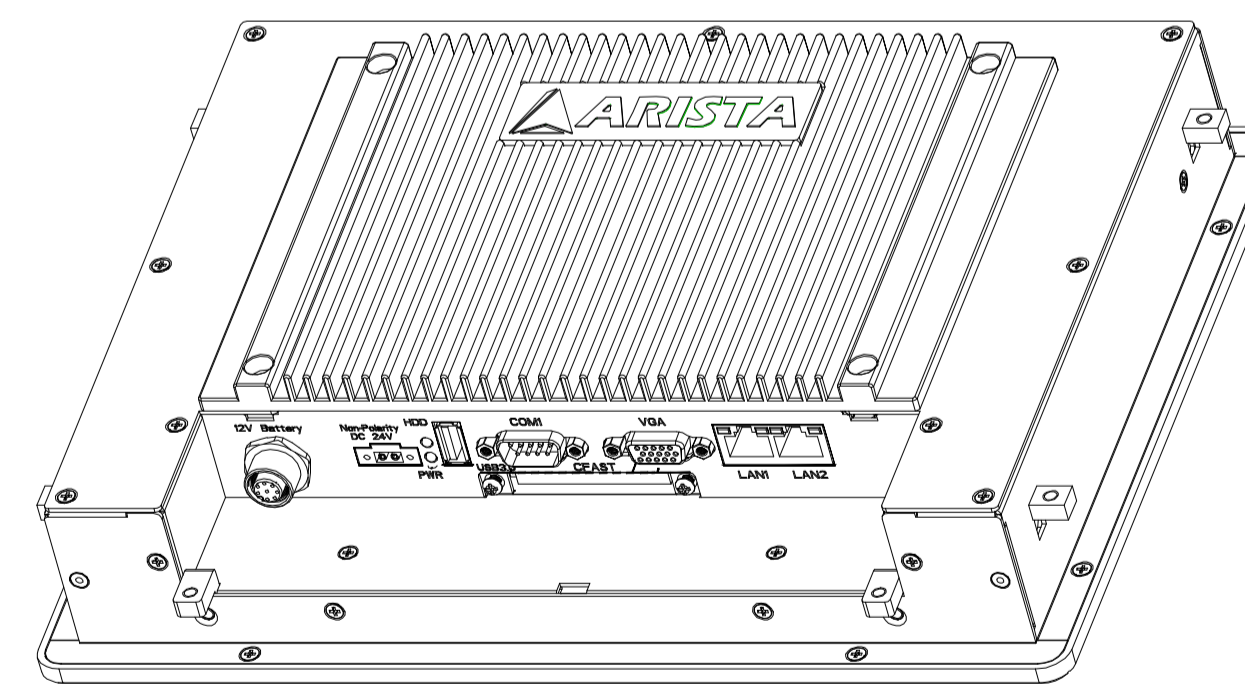
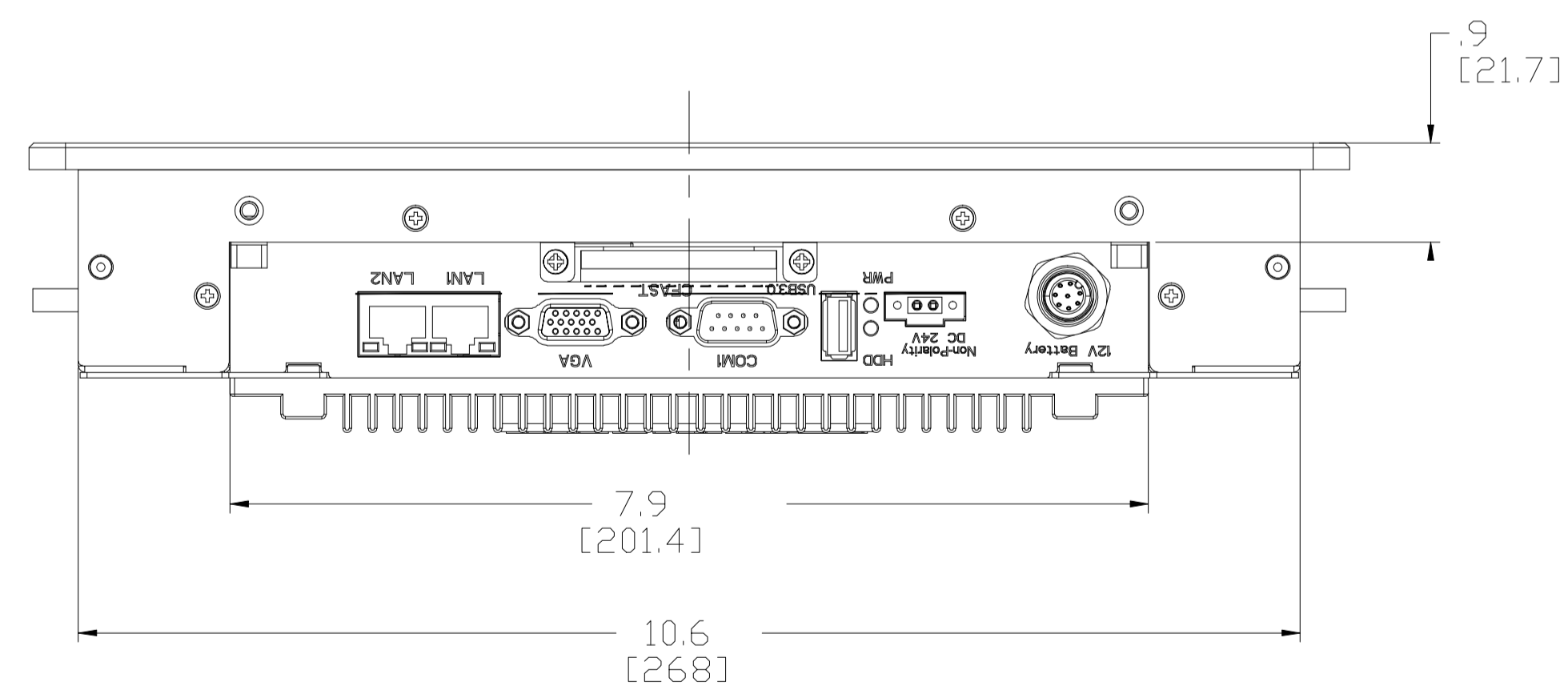
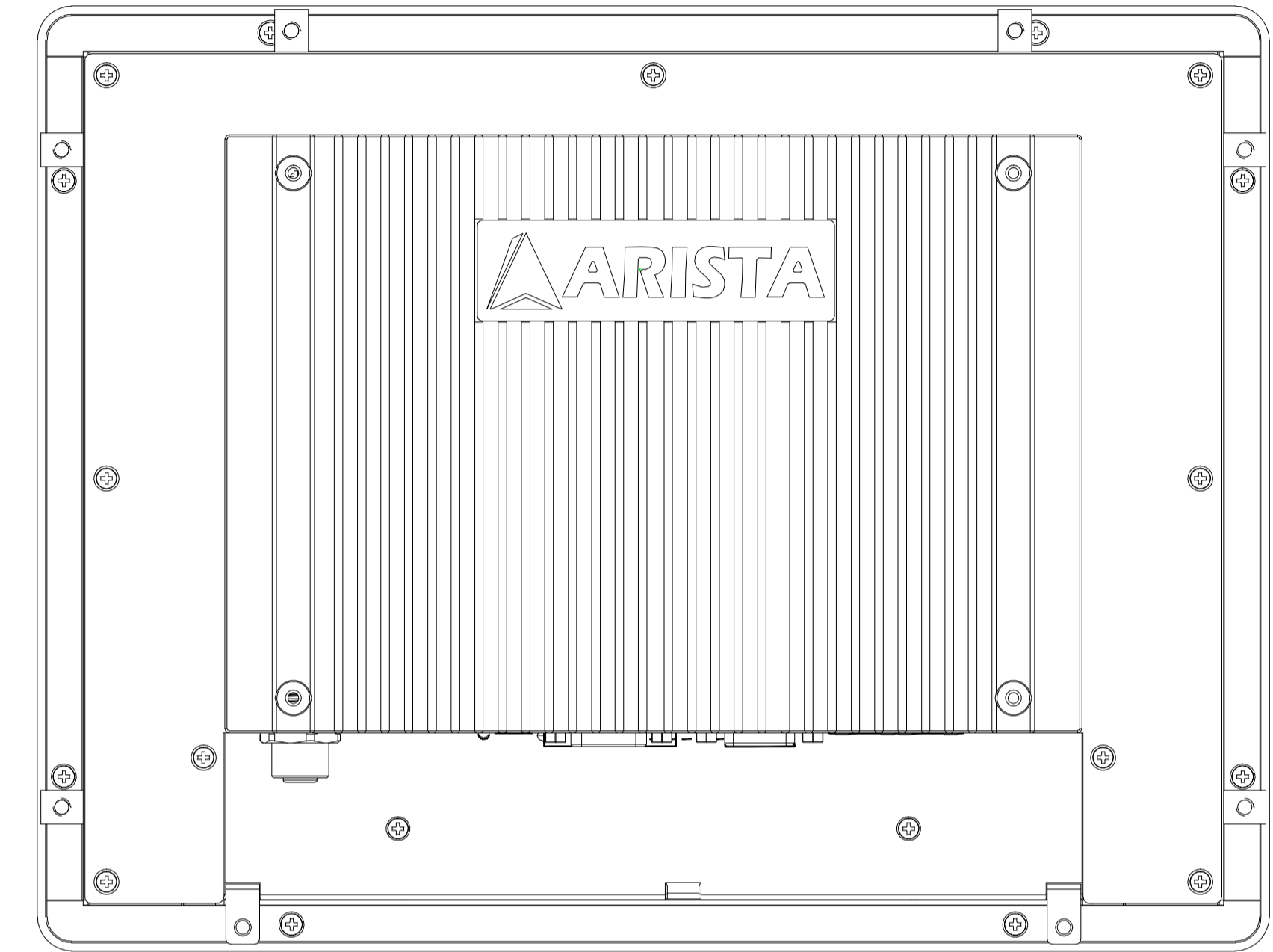
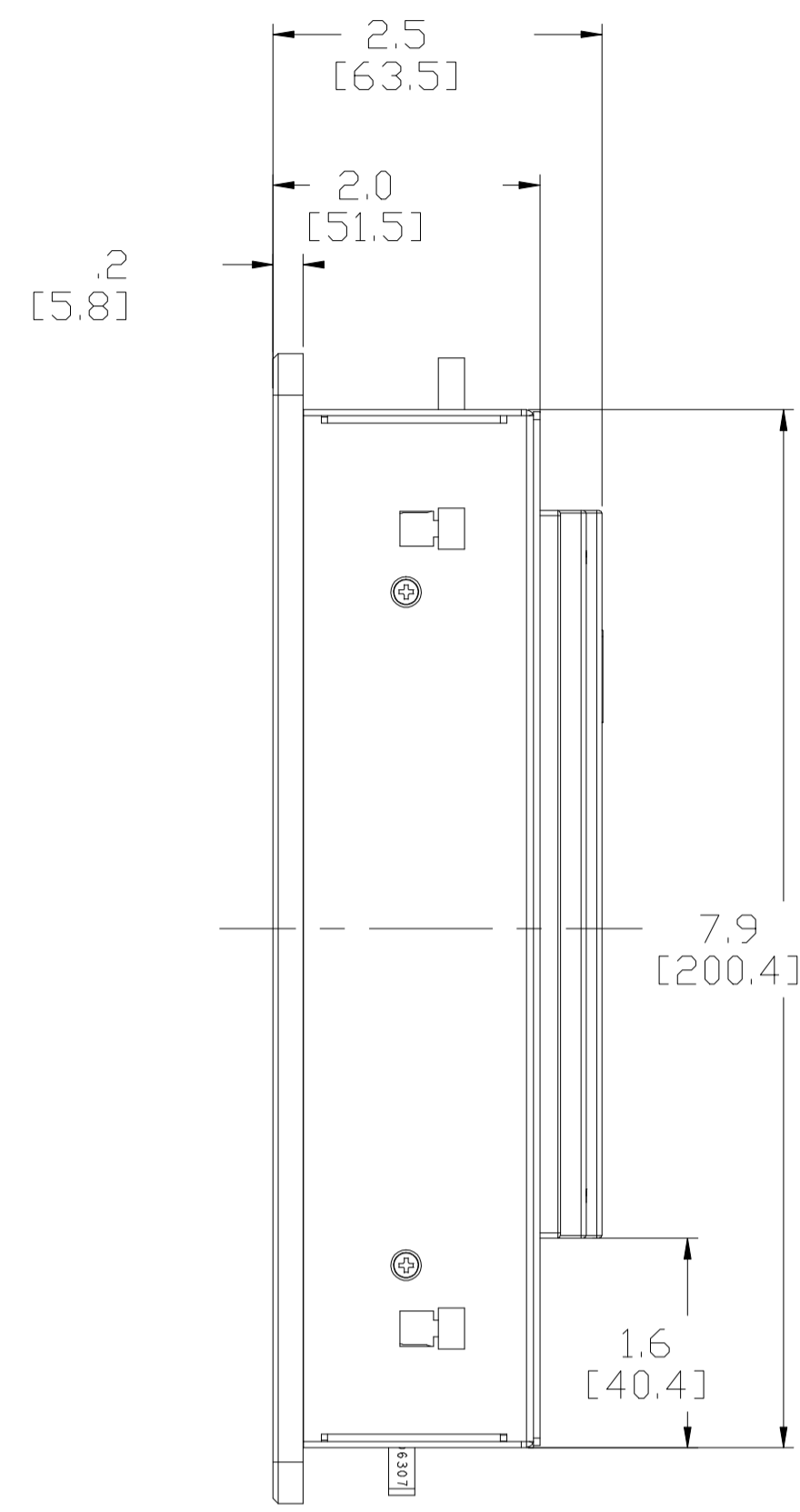
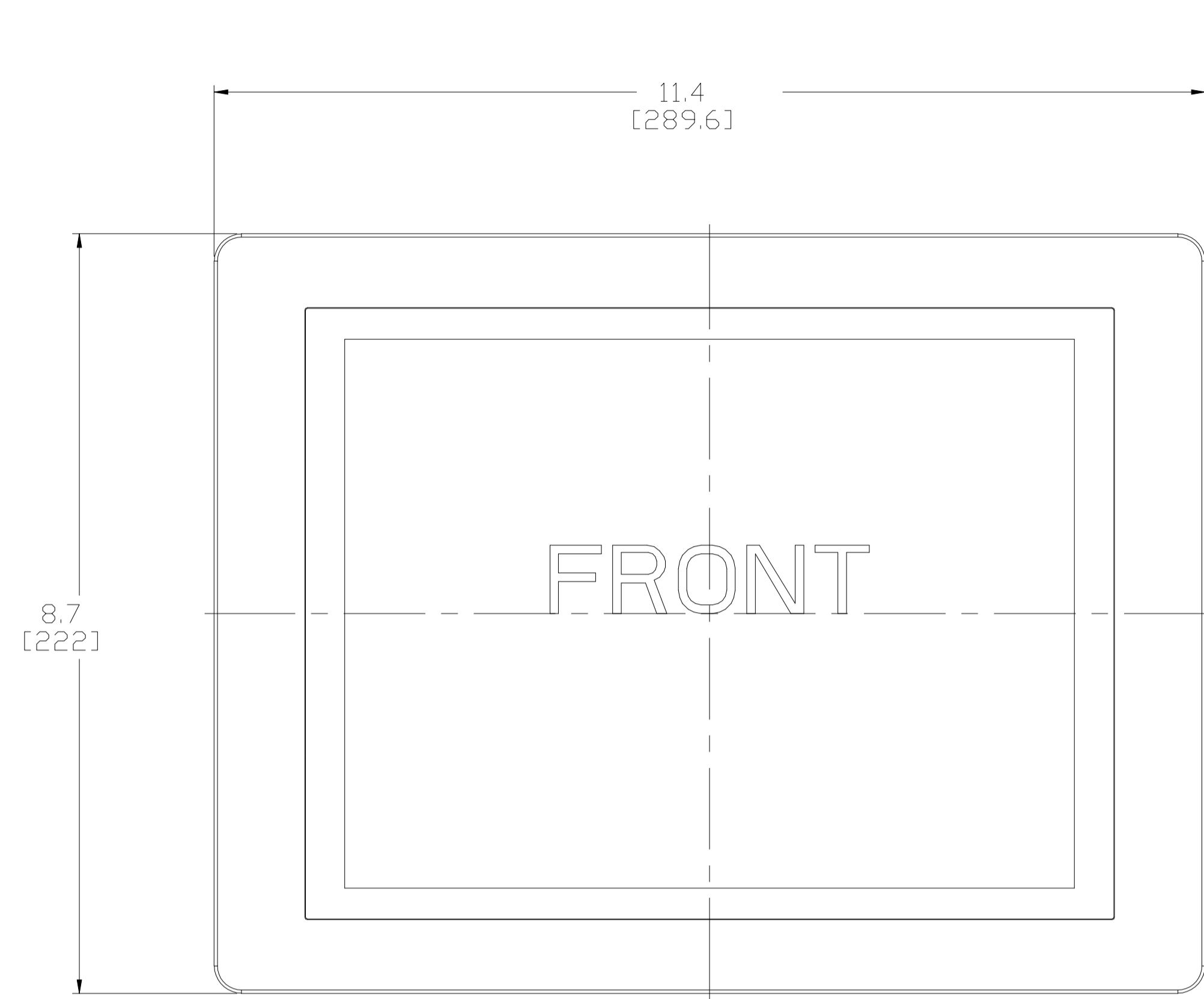


PARTS LIST			
ITEM	QTY	DESCRIPTION	P/N



ALL DIMENSIONS IN MILLIMETRES  
 THIRD ANGLE PROJECTION

The information disclosed on this document is the exclusive property of ARISTA CORPORATION. Reproduction, disclosure, or the use of this document or information without the written permission of ARISTA CORPORATION is prohibited.

ZONE	REV	DESCRIPTION	DATE	APPROVED
REVISIONS				

TOLERANCES A B C 0-30mm ±0.1 ±0.25 ±0.6 30-120mm ±0.15 ±0.46 ±1.1 120-315mm ±0.2 ±0.6 ±1.6 >315mm ±0.3 ±1.1 ±2.5				DATE	
CHECKED		DATE		REV	
DESIGN		SCALE	INV. NO.	SHEET	OF

ARISTA CORPORATION  
 41300 Bayce Rd, Fremont, CA 94538

TITLE  
 0\_ARP-3810AP-EX0-ARQ00900

ECN		CN
-----	--	----