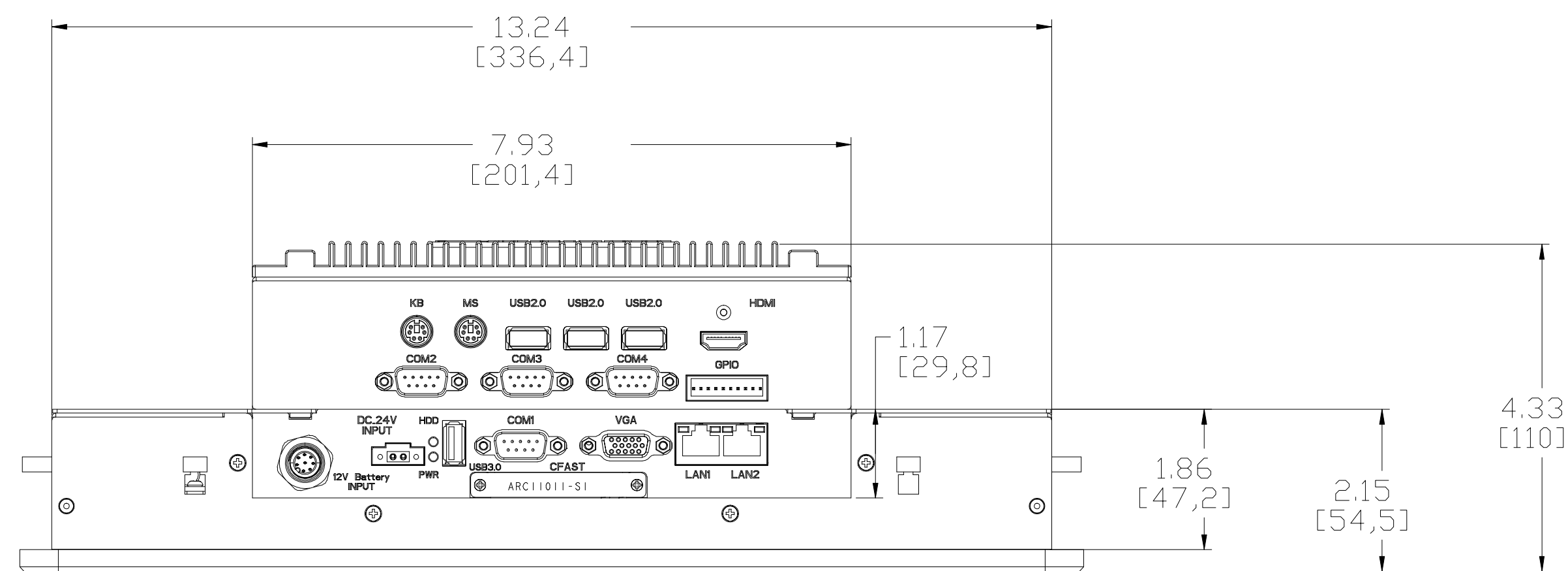
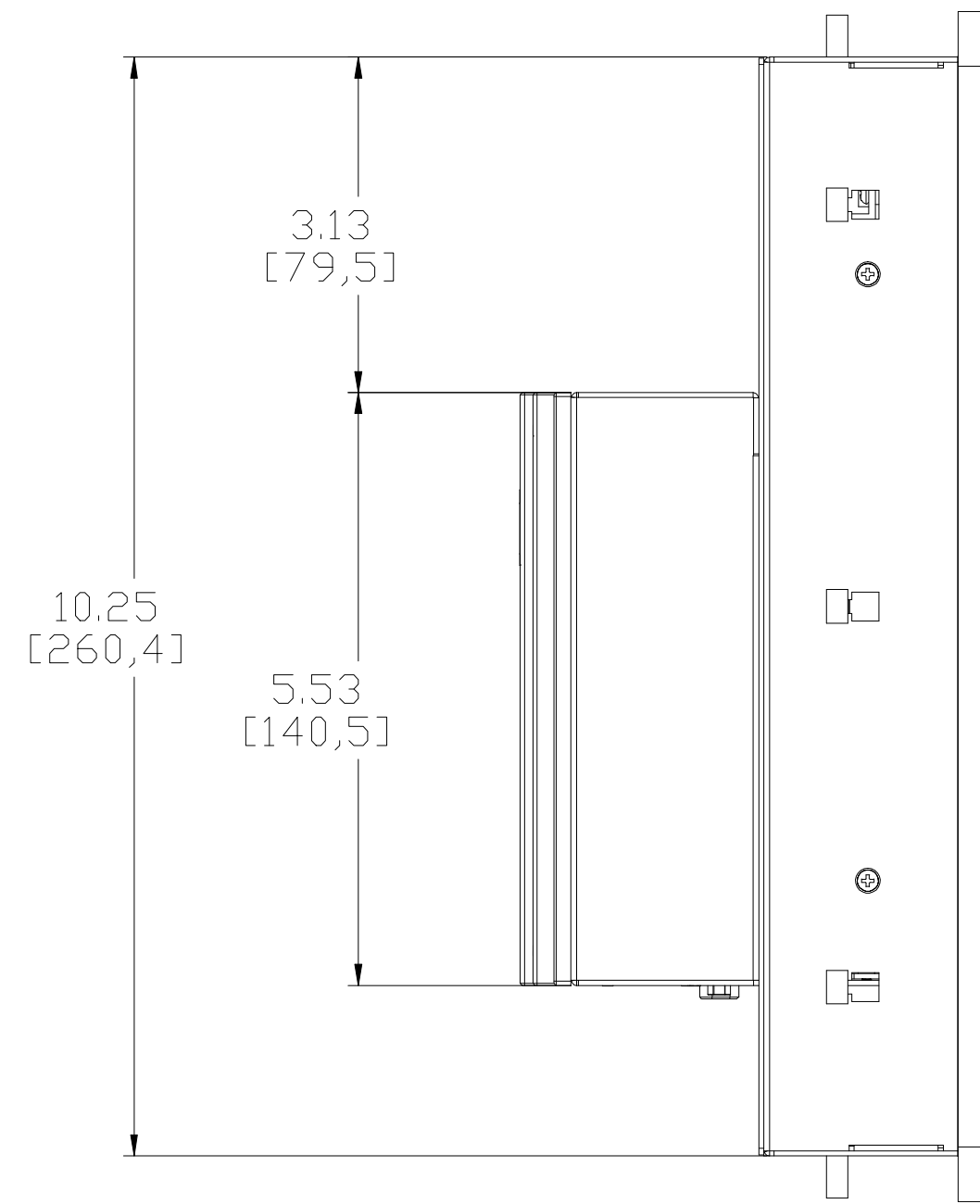
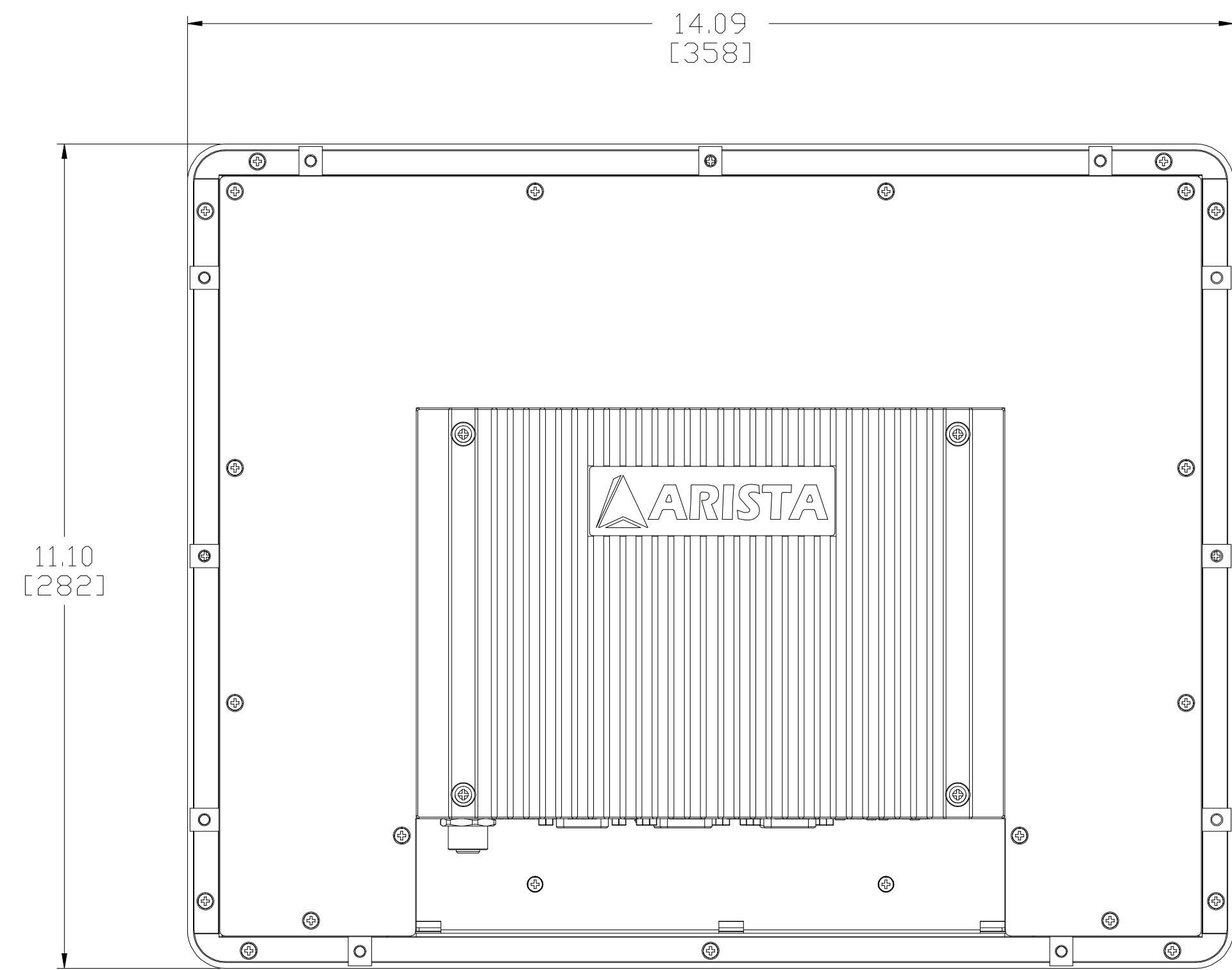


PARTS LIST			
ITEM	QTY	DESCRIPTION	P/N



ALL DIMENSIONS IN MILLIMETRES  
 THIRD ANGLE PROJECTION

ZONE	REV	DESCRIPTION	DATE	APPROVED
REVISIONS				

TOLERANCES	A	B	C	TITLE
0-30mm	±0.1	±0.25	±0.6	
30-120mm	±0.15	±0.46	±1.1	
120-315mm	±0.2	±0.6	±1.6	
>315mm	±0.3	±1.1	±2.5	
DRN	Pellon		DATE	
CHECKED				SIZE D
DESIGN				FSCM NO.
				DWG NO.
				REV A
				SCALE
				INV. NO.
				SHEET DF

The information disclosed on this document is the exclusive property of ARISTA CORPORATION. Reproduction, disclosure, or the use of this document or information without the written permission of ARISTA CORPORATION is prohibited.

ARISTA CORPORATION  
 41300 Boyce Rd, Fremont, CA 94538

0\_ARP-3815AP-E01\_ARC11000