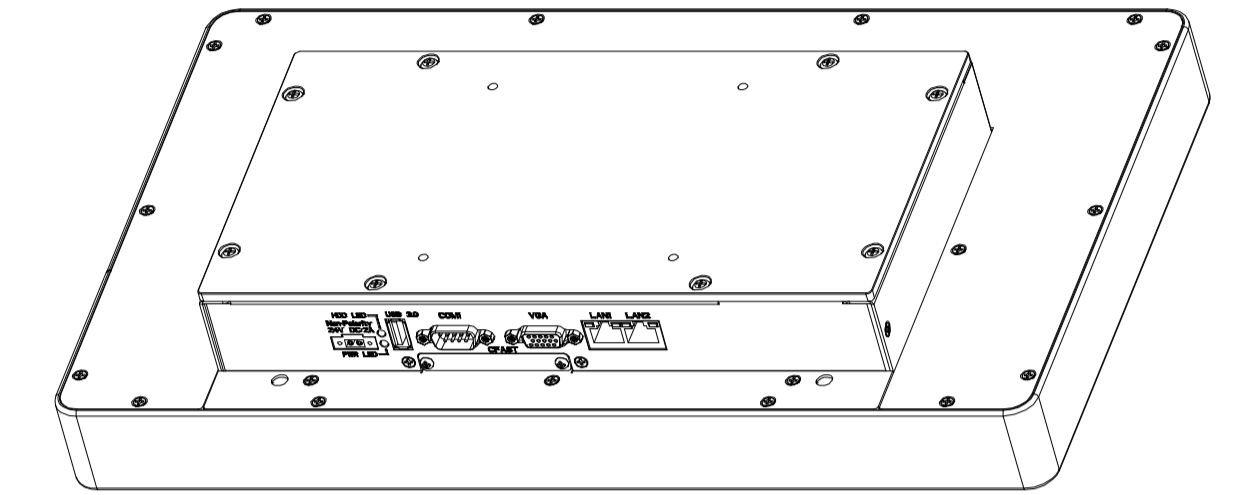
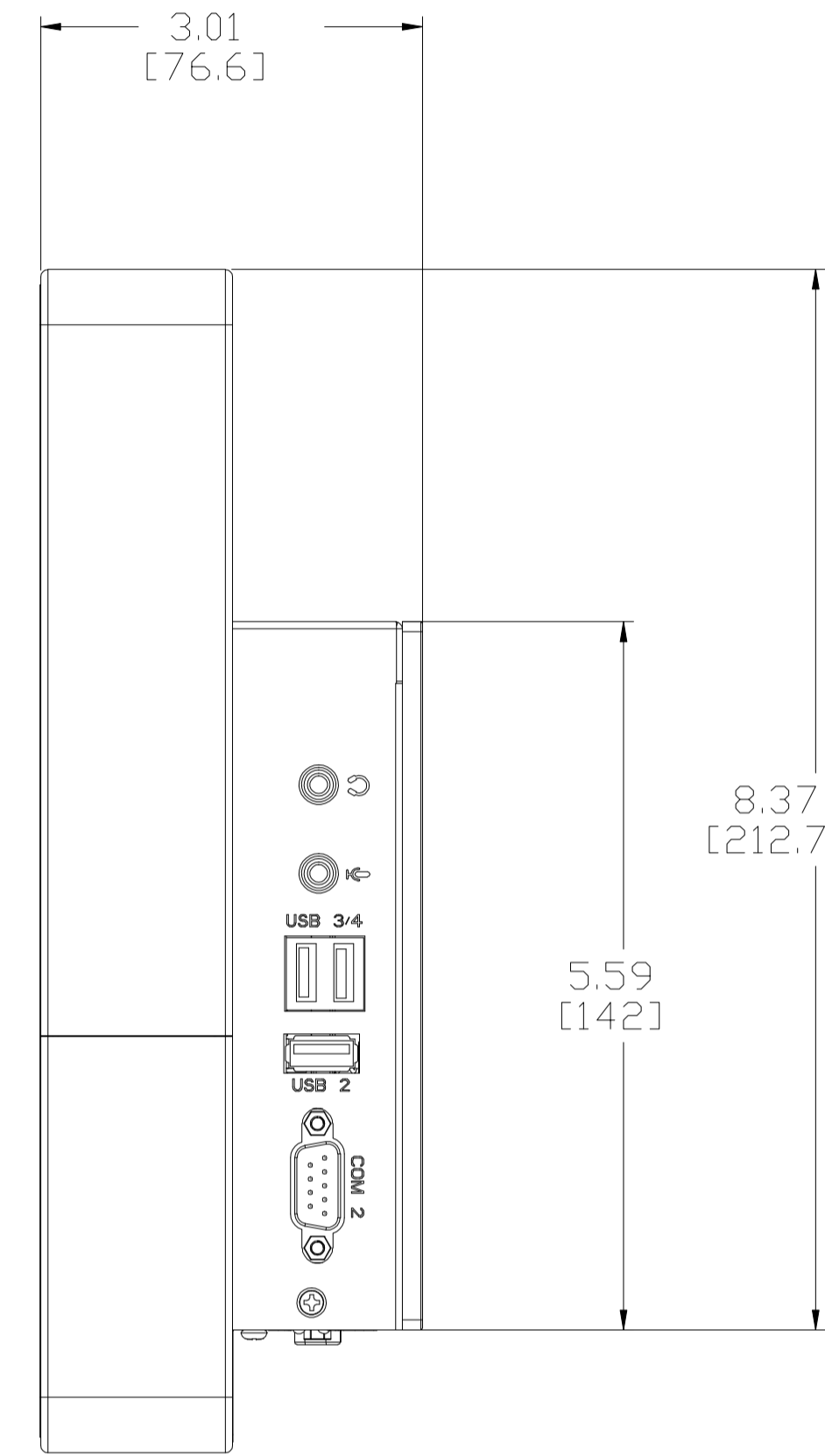
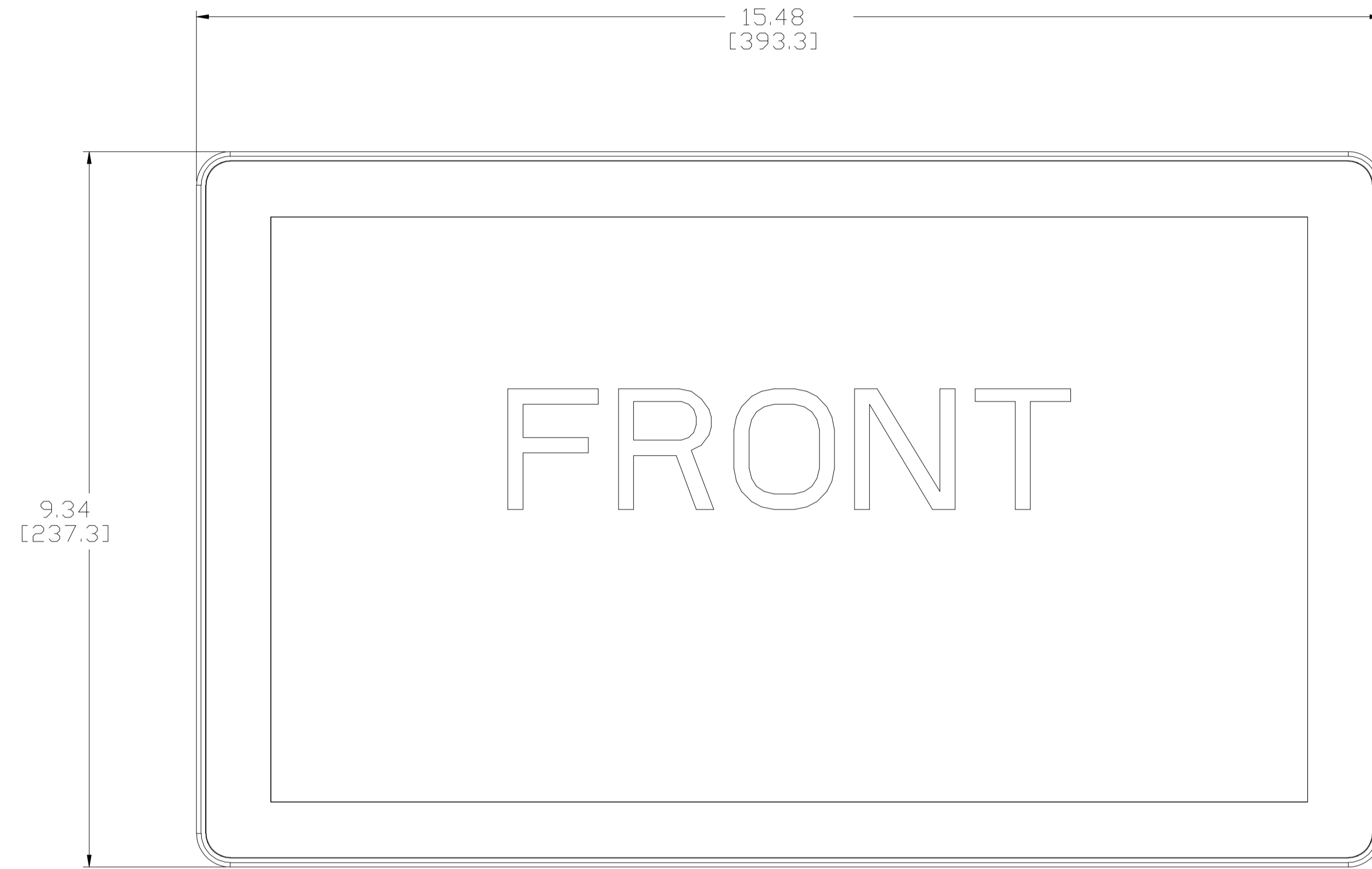
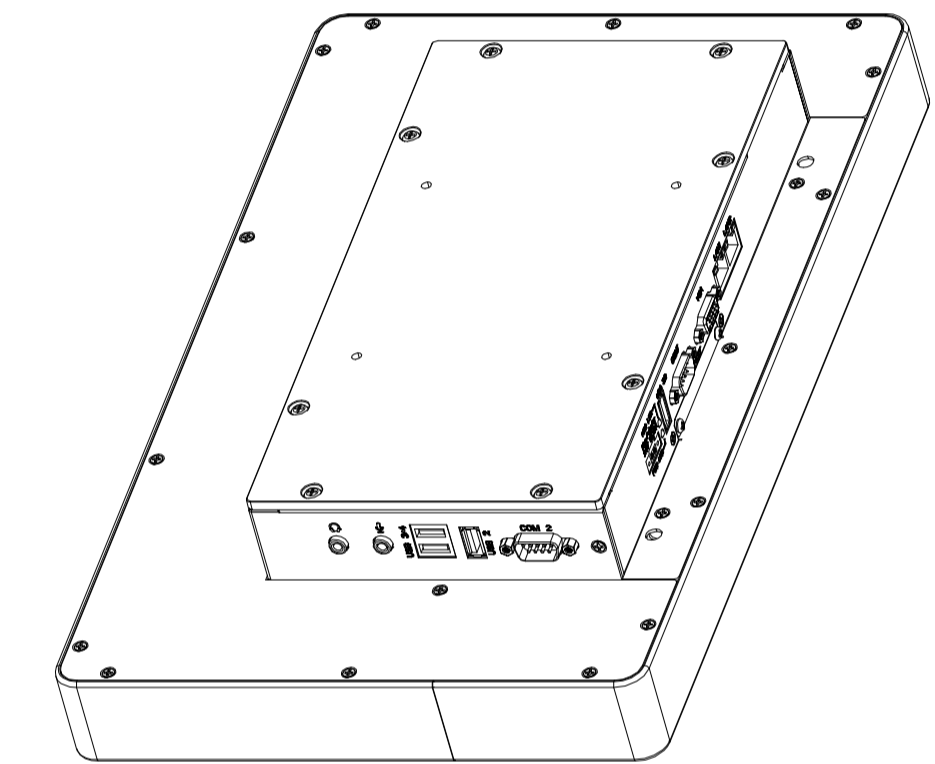


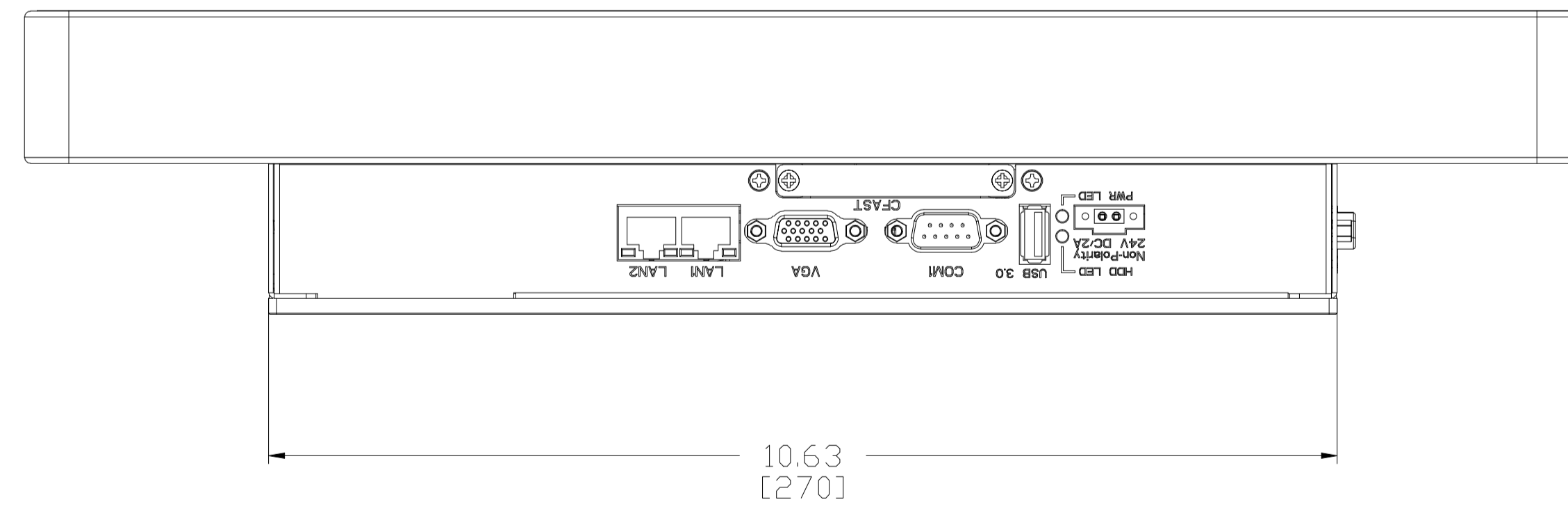
| PARTS LIST | | | |
|------------|-----|-------------|-----|
| ITEM | QTY | DESCRIPTION | P/N |
| | | | |



比例 0.350



比例 0.350



ALL DIMENSIONS IN MILLIMETRES
 THIRD ANGLE PROJECTION

The information disclosed on this document is the exclusive property of ARISTA CORPORATION. Reproduction, disclosure, or the use of this document or information without the written permission of ARISTA CORPORATION is prohibited.

| ZONE | REV | DESCRIPTION | DATE | APPROVED |
|---|--------|-------------|----------|-------------------|
| REVISIONS | | | | |
| ARISTA CORPORATION 41300 Bayce Rd, Fremont, CA 94538 | | | | |
| TITLE 0_ARP-3816BP-E01-ARC13800 | | | | |
| DRN | Pellon | DATE | | |
| CHECKED | | | | REV |
| DESIGN | | | 比例 0.750 | INV. NO. SHEET OF |

| | | |
|-----|--|----|
| ECN | | CN |
|-----|--|----|