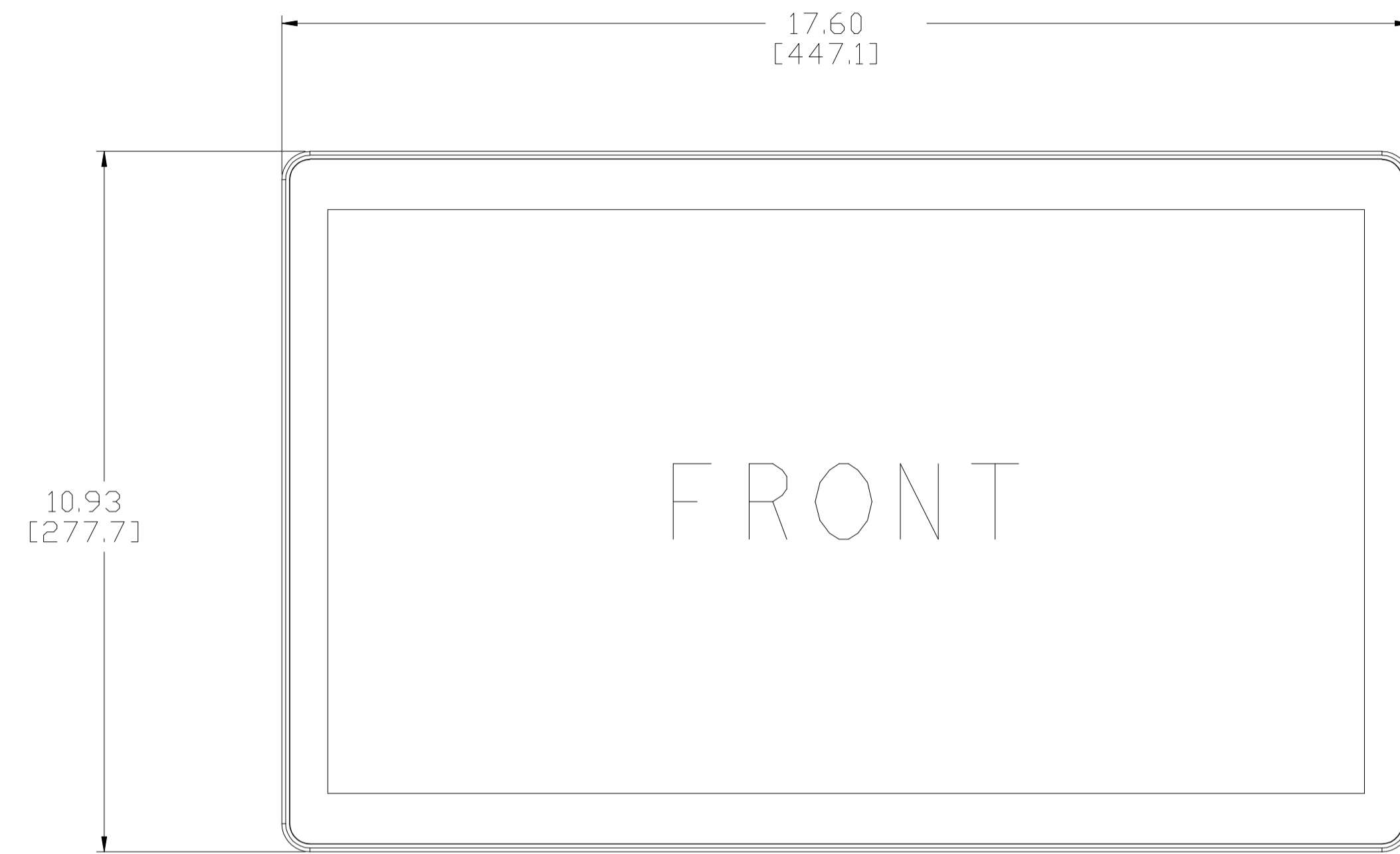
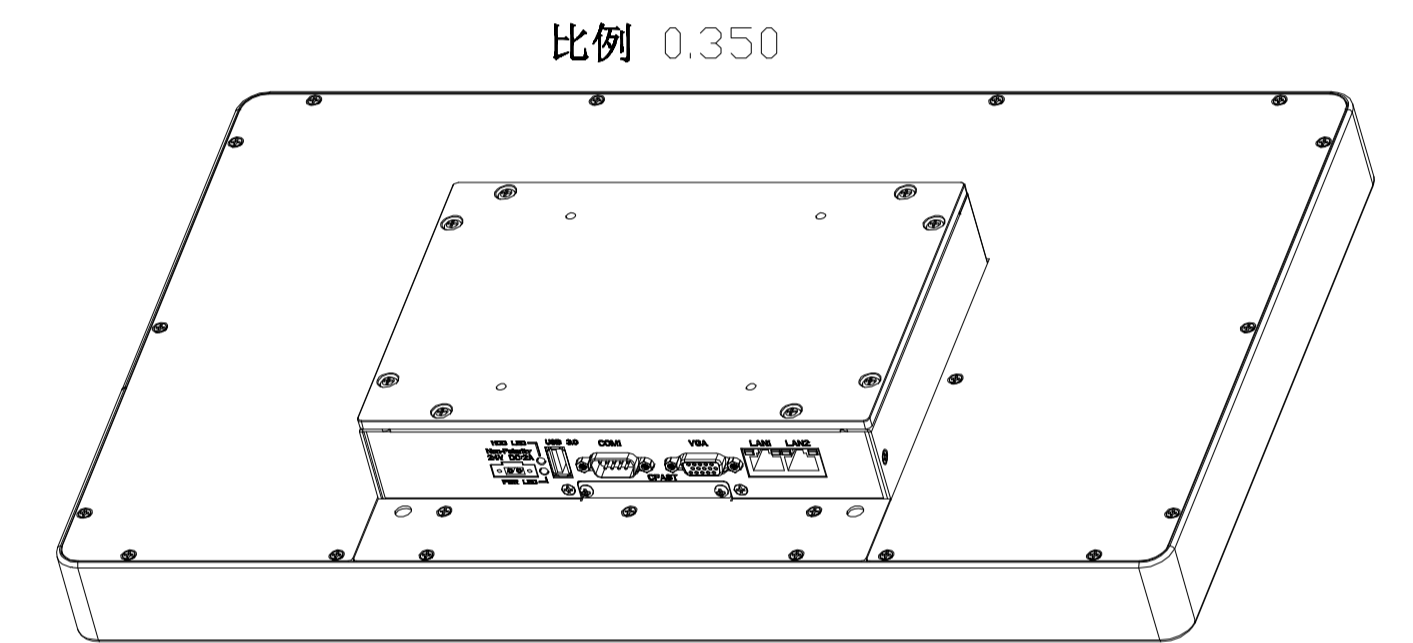
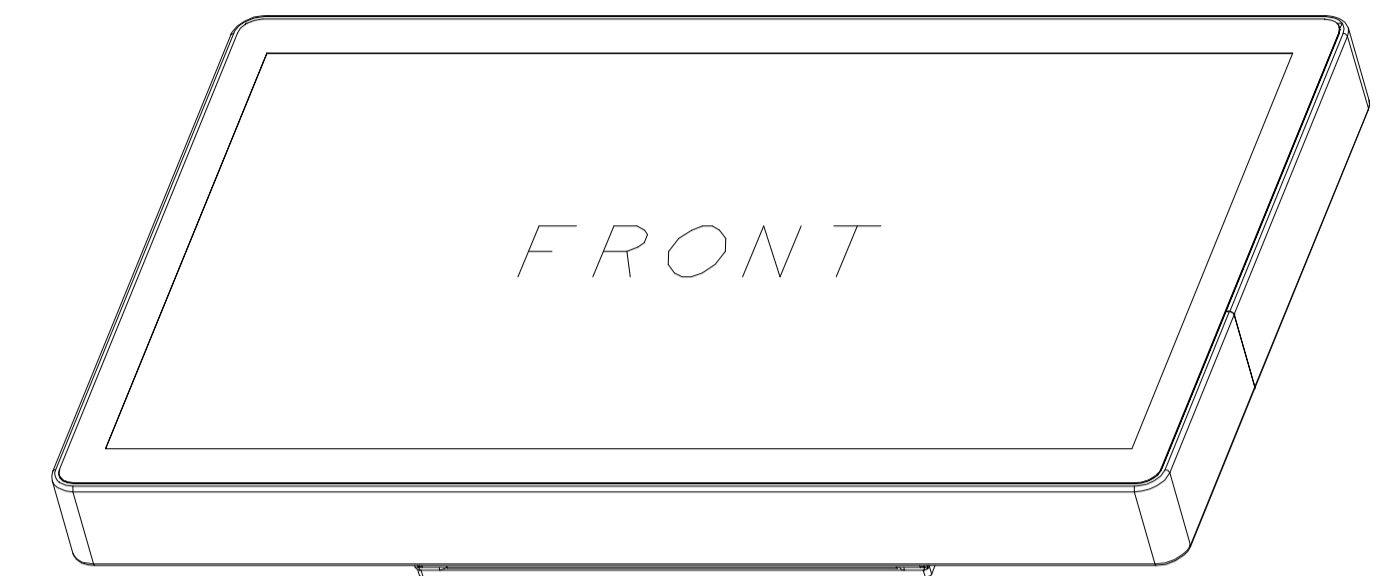
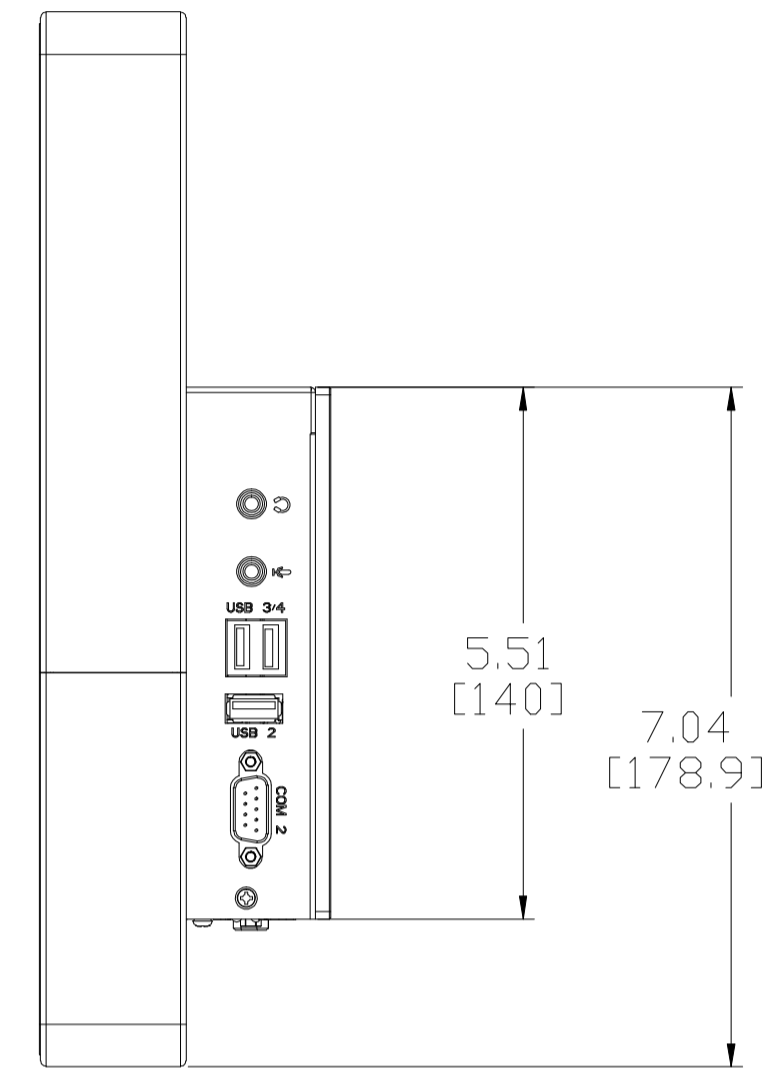


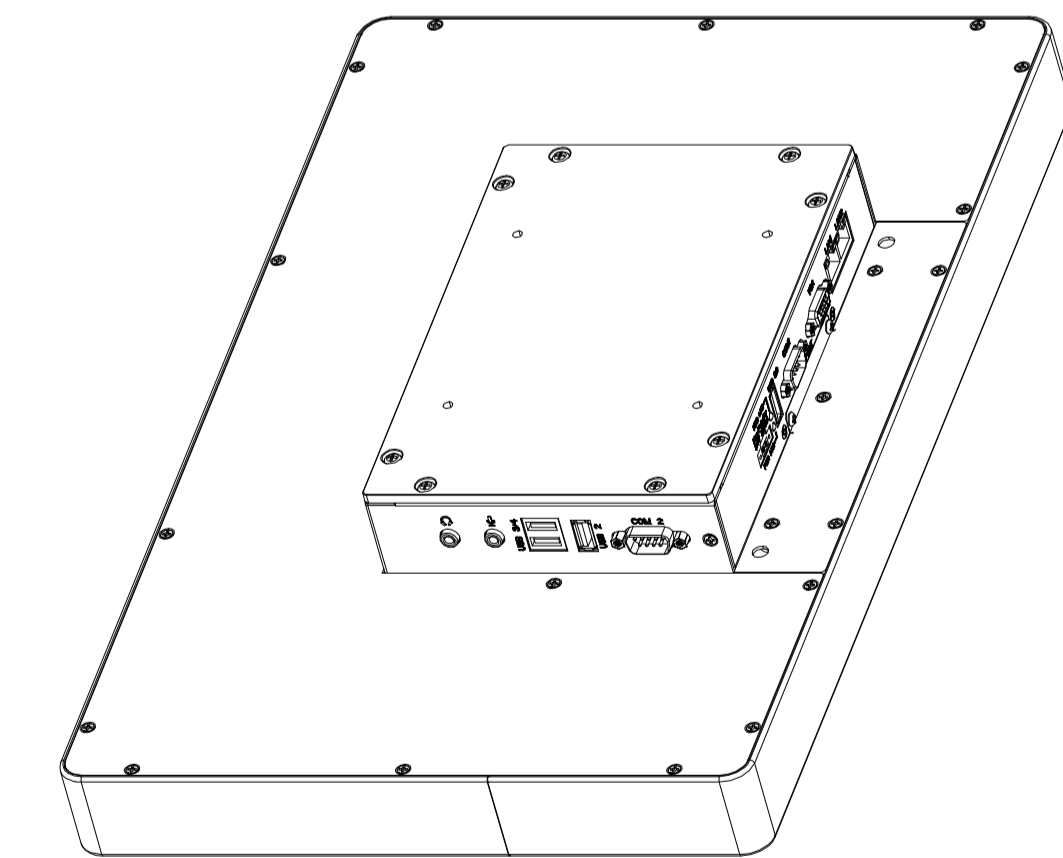
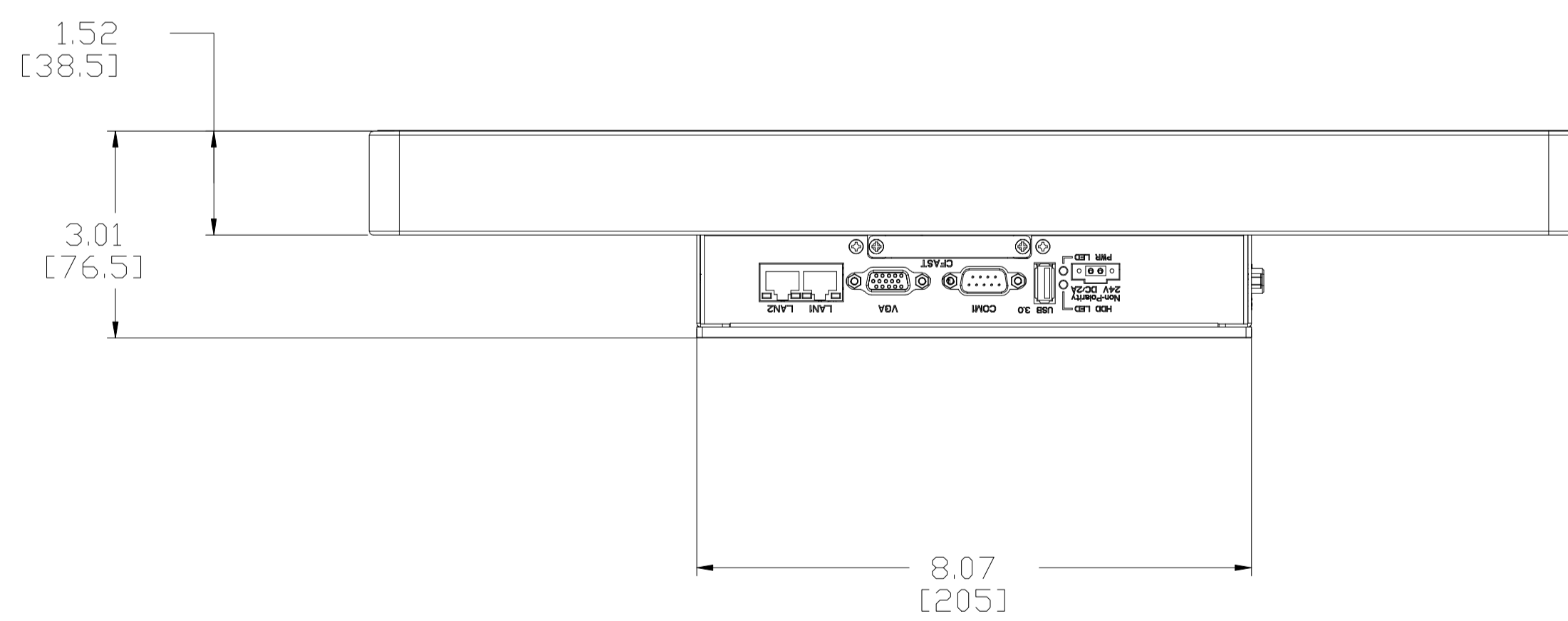
PARTS LIST			
ITEM	QTY	DESCRIPTION	P/N



比例 0.500



比例 0.350



比例 0.350

ALL DIMENSIONS IN MILLIMETRES
 THIRD ANGLE PROJECTION

The information disclosed on this document is the exclusive property of ARISTA CORPORATION. Reproduction, disclosure, or the use of this document or information without the written permission of ARISTA CORPORATION is prohibited.

TOLERANCES	A	B	C
0-30mm	±0.1	±0.25	±0.6
30-120mm	±0.15	±0.46	±1.1
120-315mm	±0.2	±0.6	±1.6
>315mm	±0.3	±1.1	±2.5

ZONE	REV	DESCRIPTION	DATE	APPROVED
REVISIONS				
ARISTA CORPORATION 41300 Bayce Rd, Fremont, CA 94538				
TITLE 0_ARP-3818BP-E01-ARC13700				
DRN	Pellon	DATE		
CHECKED				REV

ECN		C/N	DESIGN	SCALE	INV. NO.	SHEET	OF
-----	--	-----	--------	-------	----------	-------	----