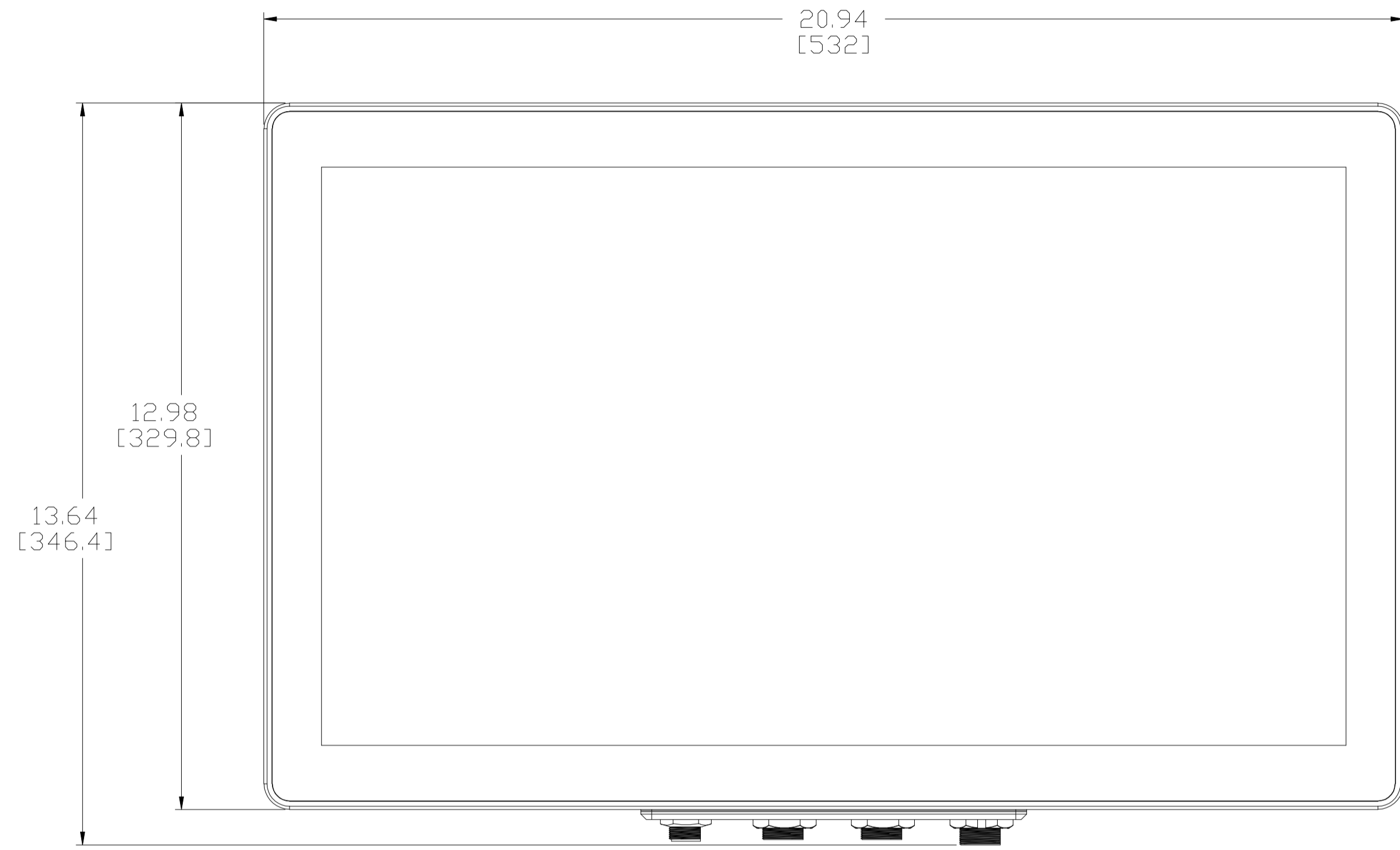
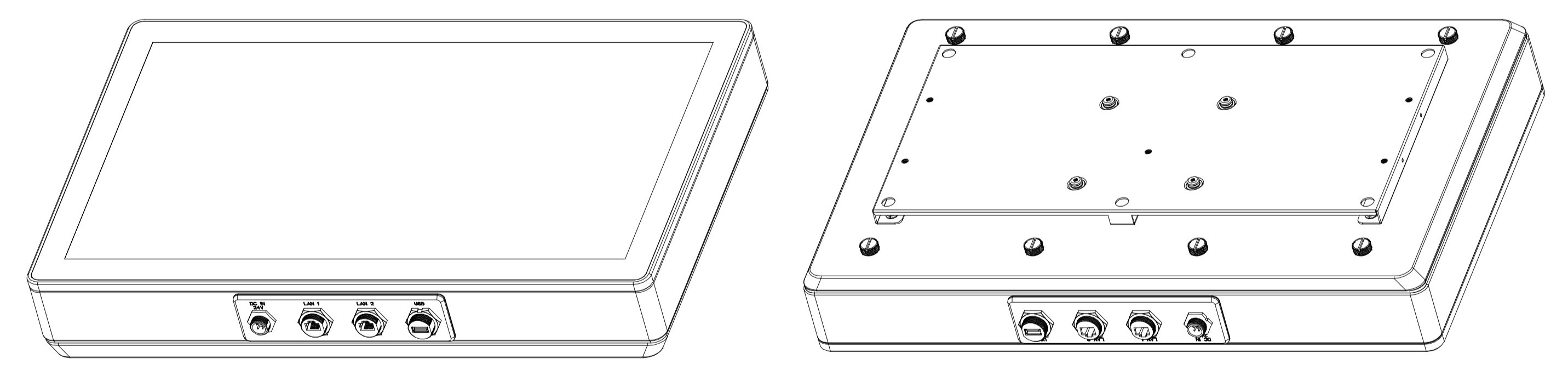
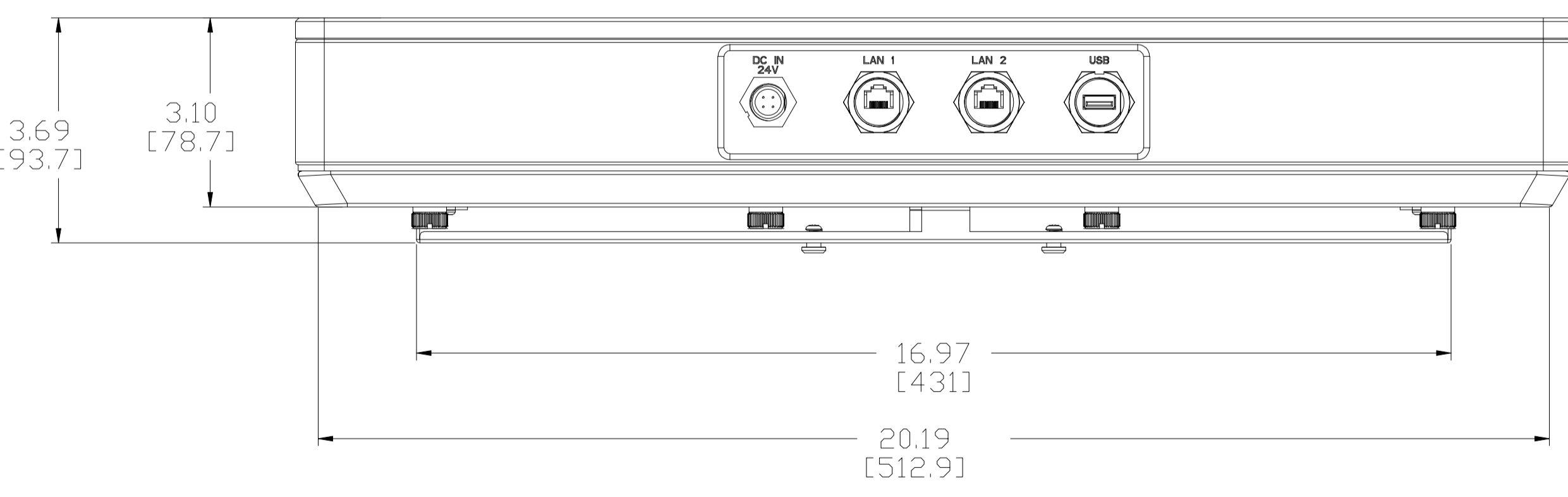
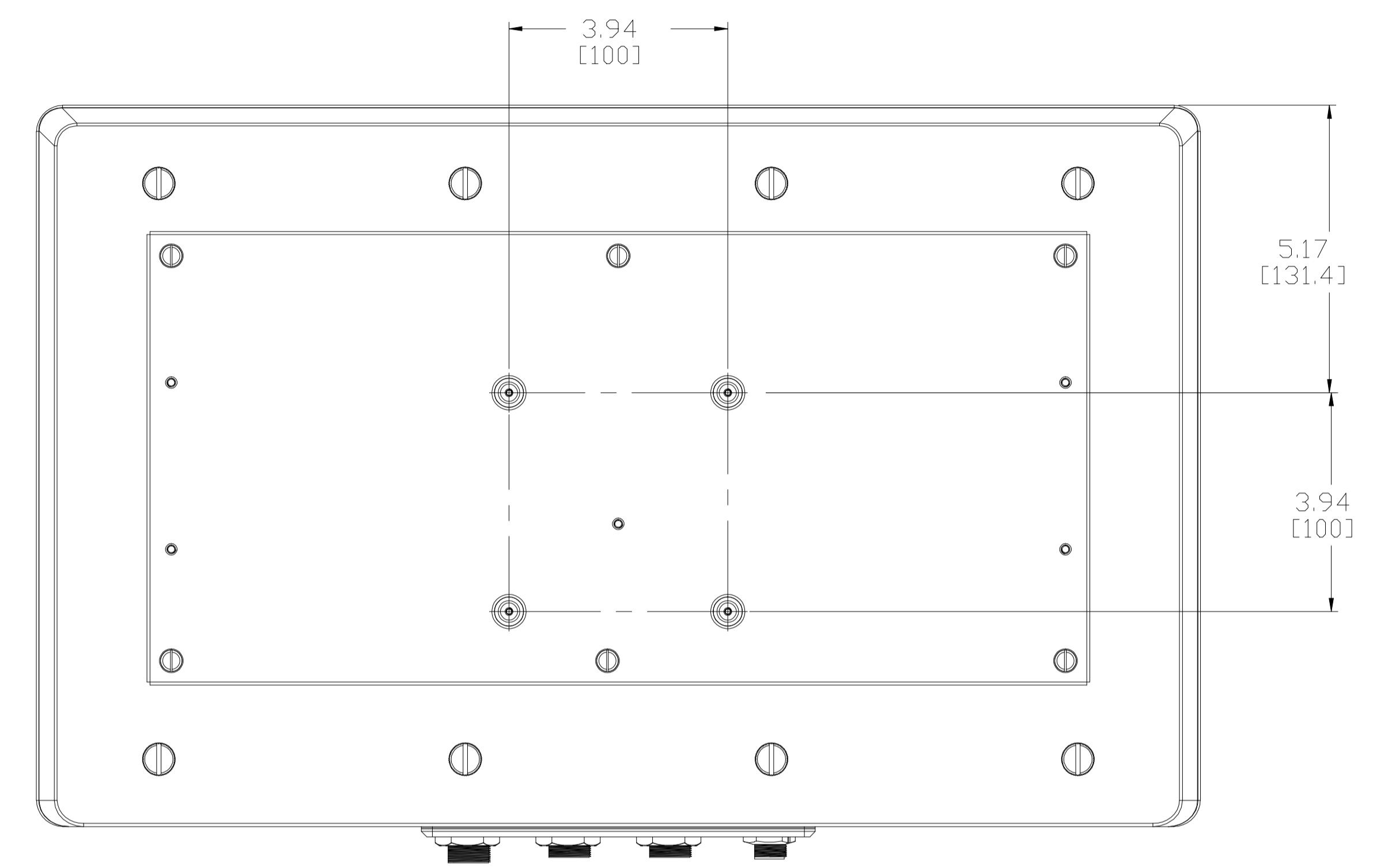
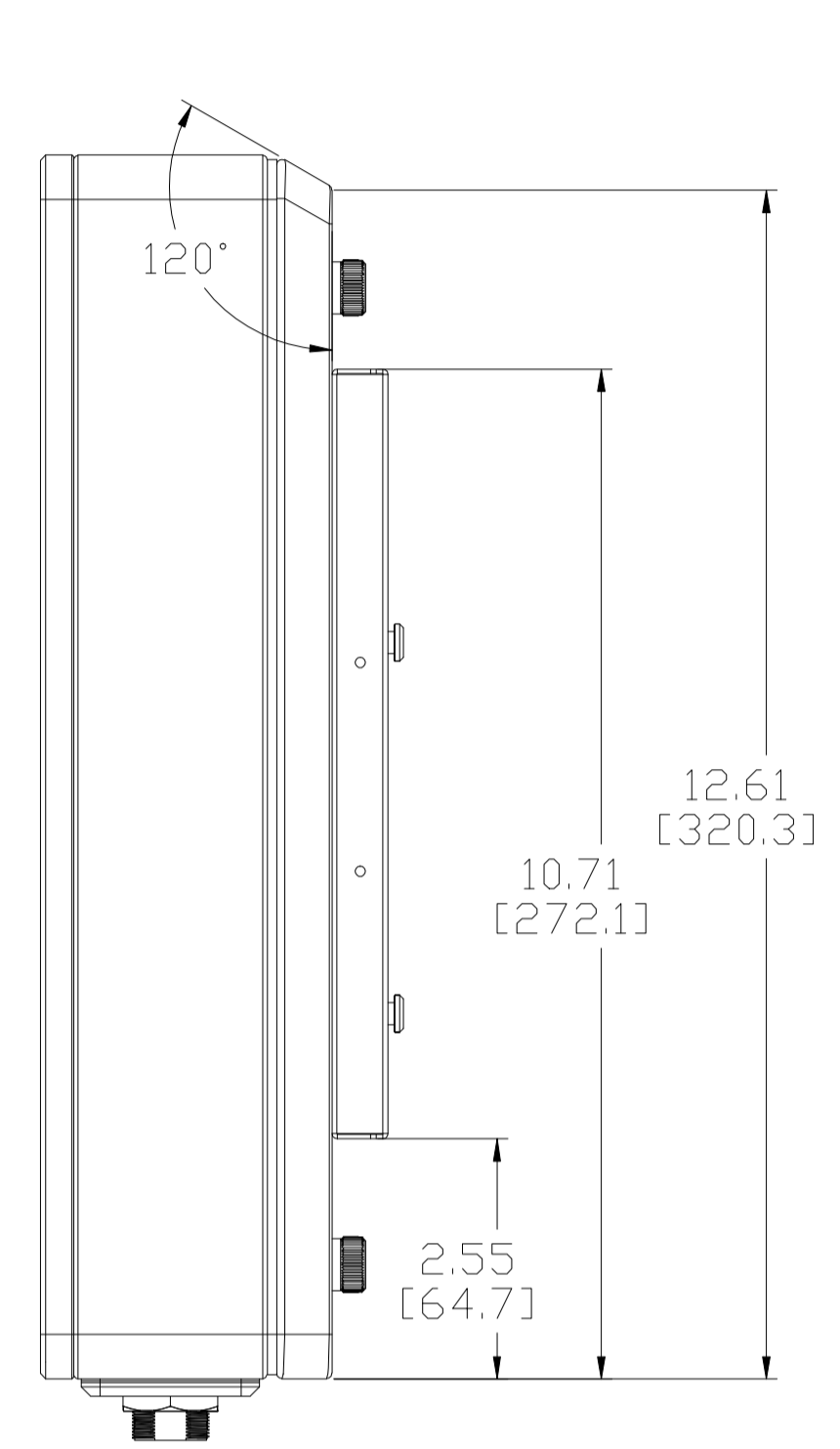


PARTS LIST			
ITEM	QTY	DESCRIPTION	P/N



比例 0.500



ZONE	REV	DESCRIPTION	DATE	APPROVED
REVISIONS				

<p>The information disclosed on this document is the exclusive property of ARISTA CORPORATION. Reproduction, disclosure, or the use of this document or information without the written permission of ARISTA CORPORATION is prohibited.</p>			UNLESS OTHERWISE SPECIFIED: DIMENSIONS ARE IN INCHES TOLERANCES: DECIMALS      ANGULAR .XX      ±01      ± 0.5° .XXX      ±003		ARISTA CORPORATION 41300 Bayce Rd, Fremont, CA 94538		
			DRN YoyoSu	DATE	TITLE 0_ARP-3821AX-E01_ARJ5C00		SIZE D
ECN	IN	CN	DESIGN	SCALE	INV. NO.	SHEET	OF