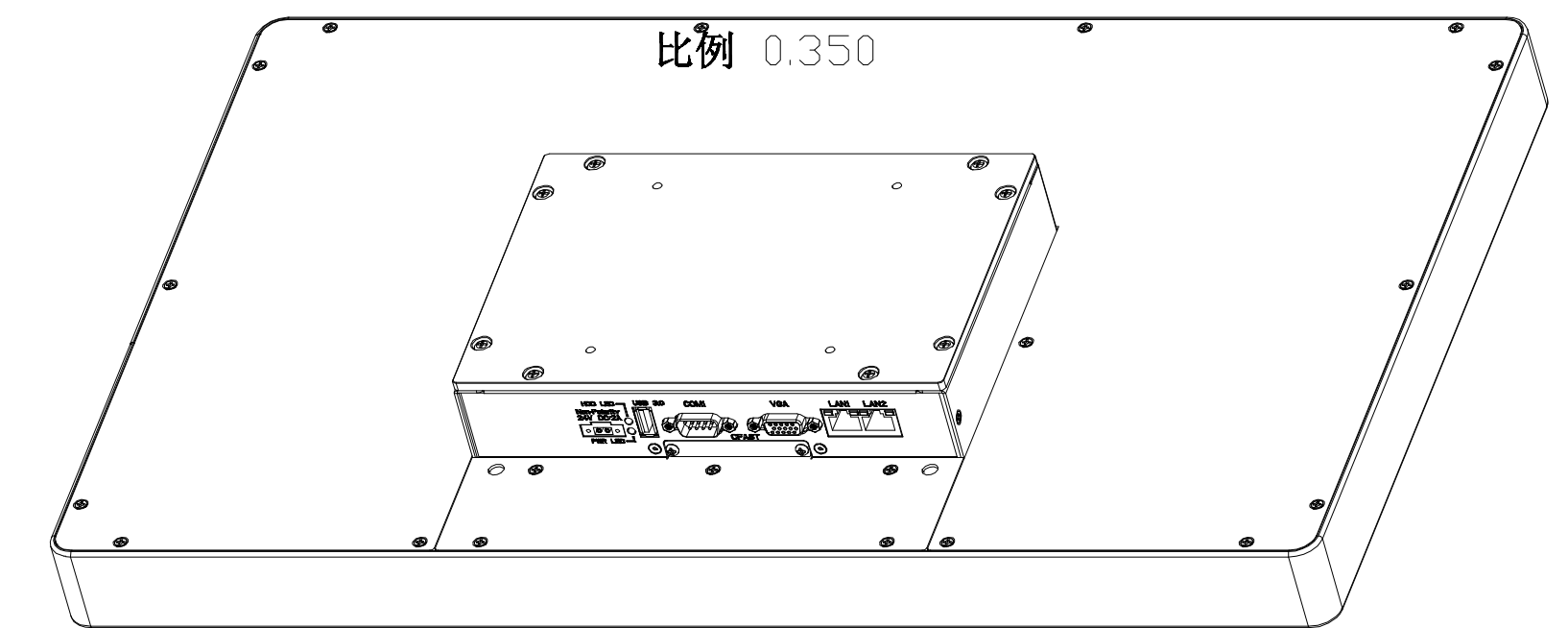
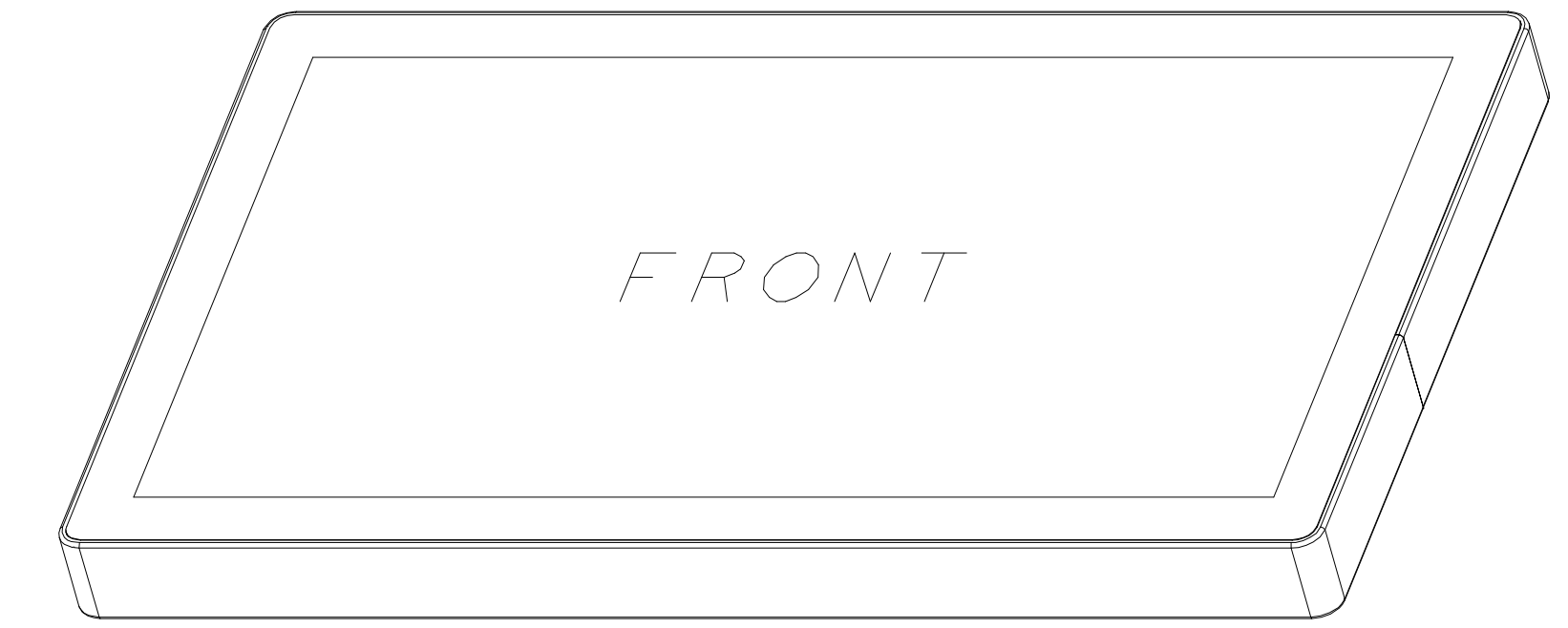
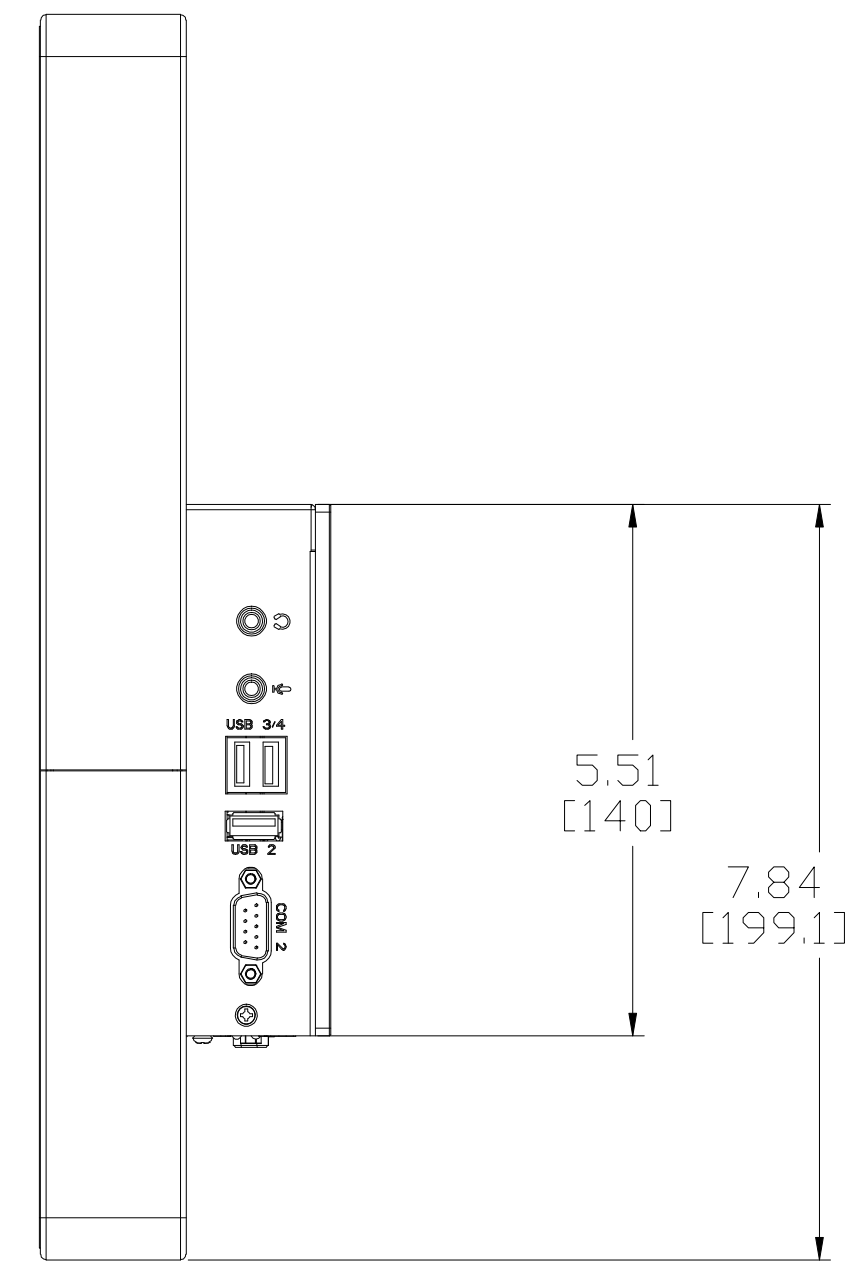
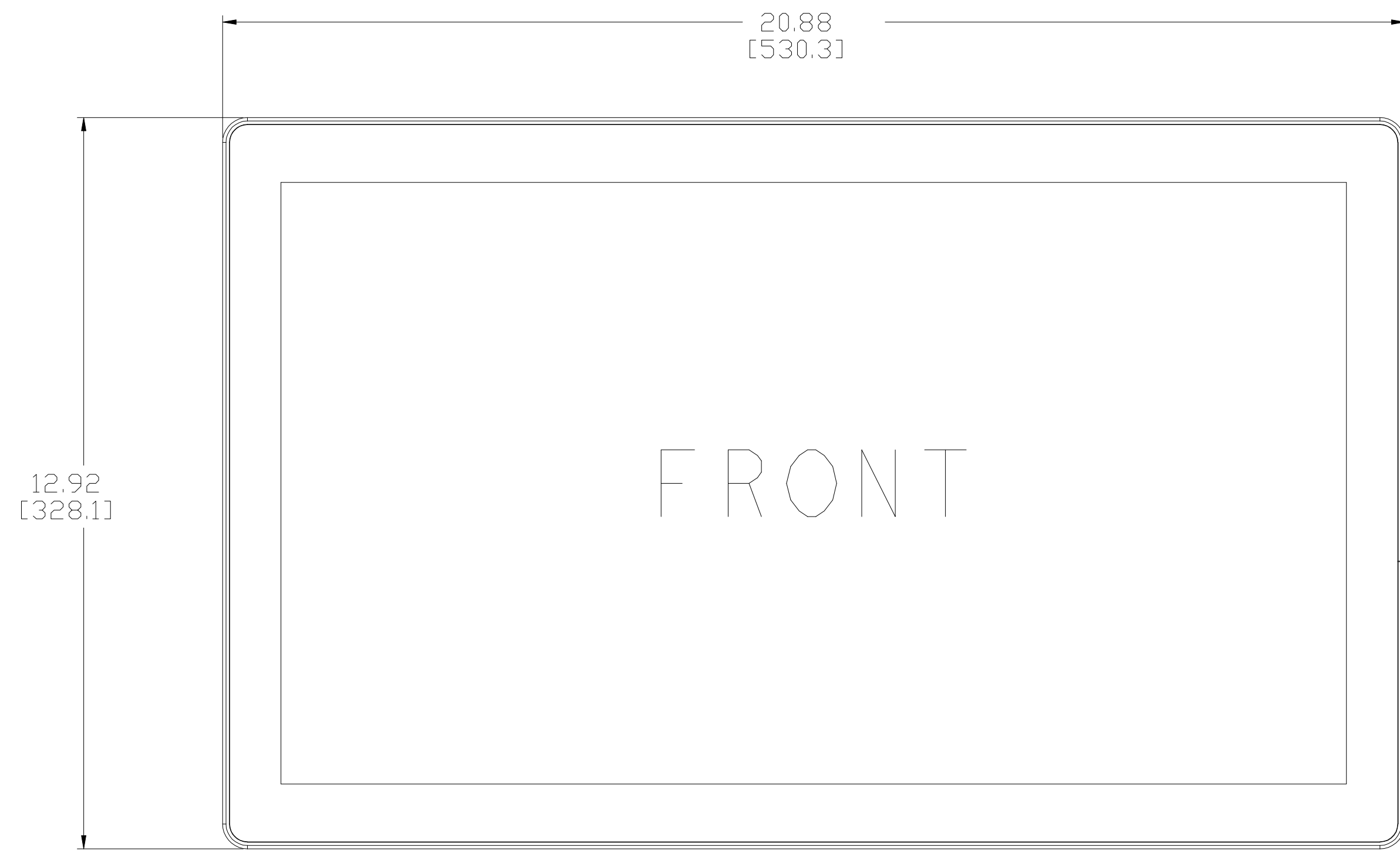
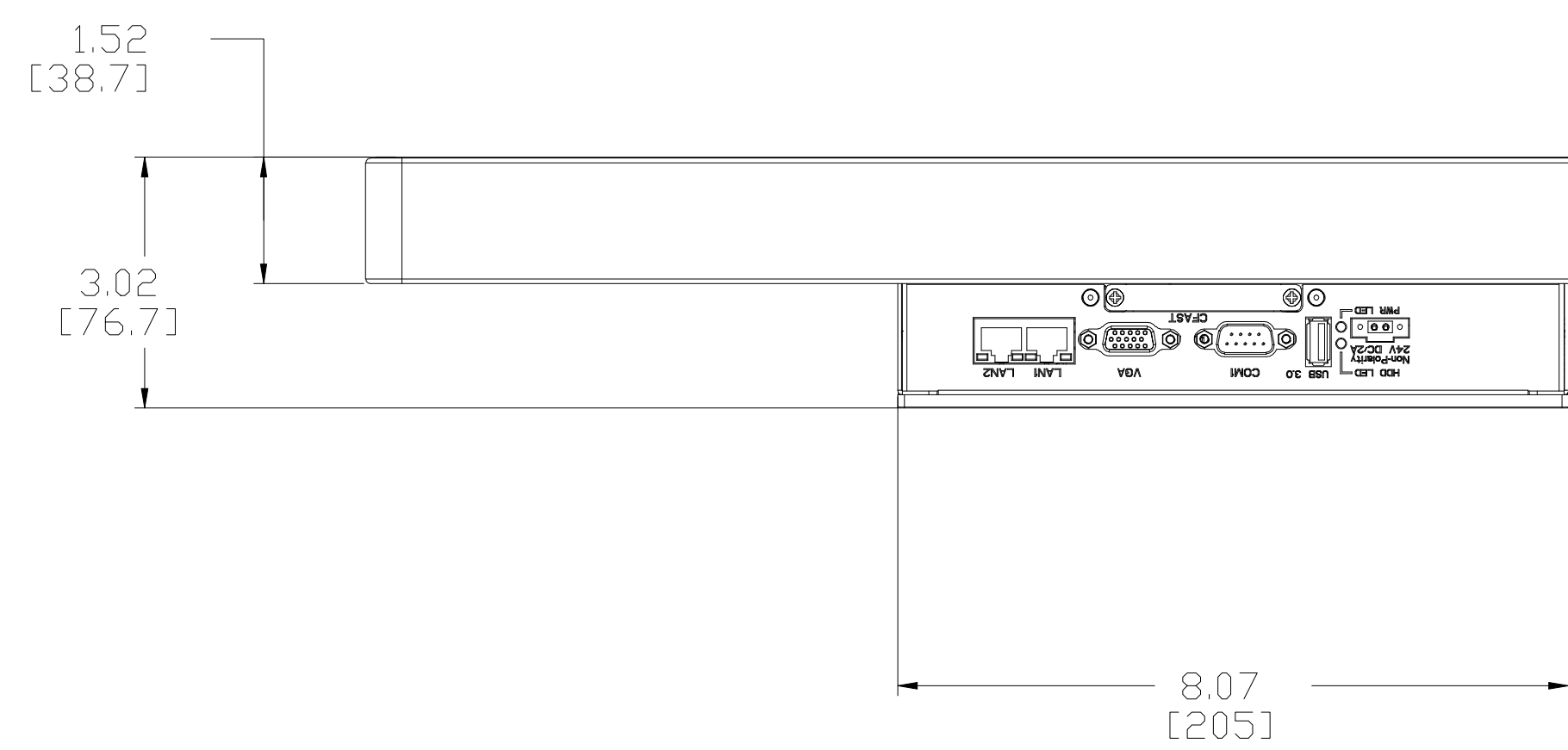


PARTS LIST			
ITEM	QTY	DESCRIPTION	P/N

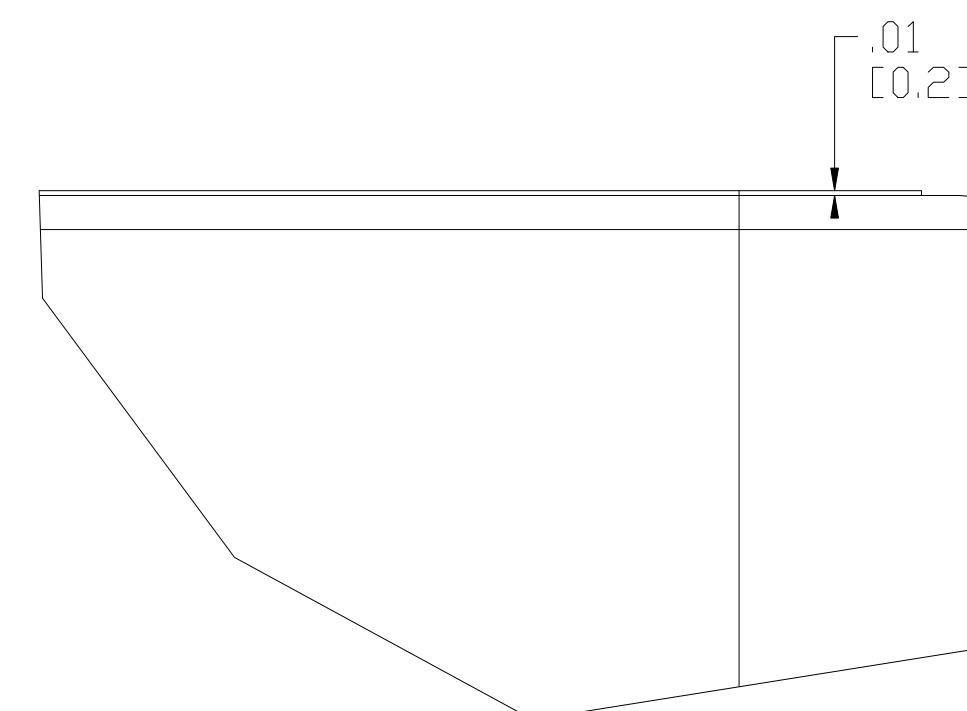


比例 0.350

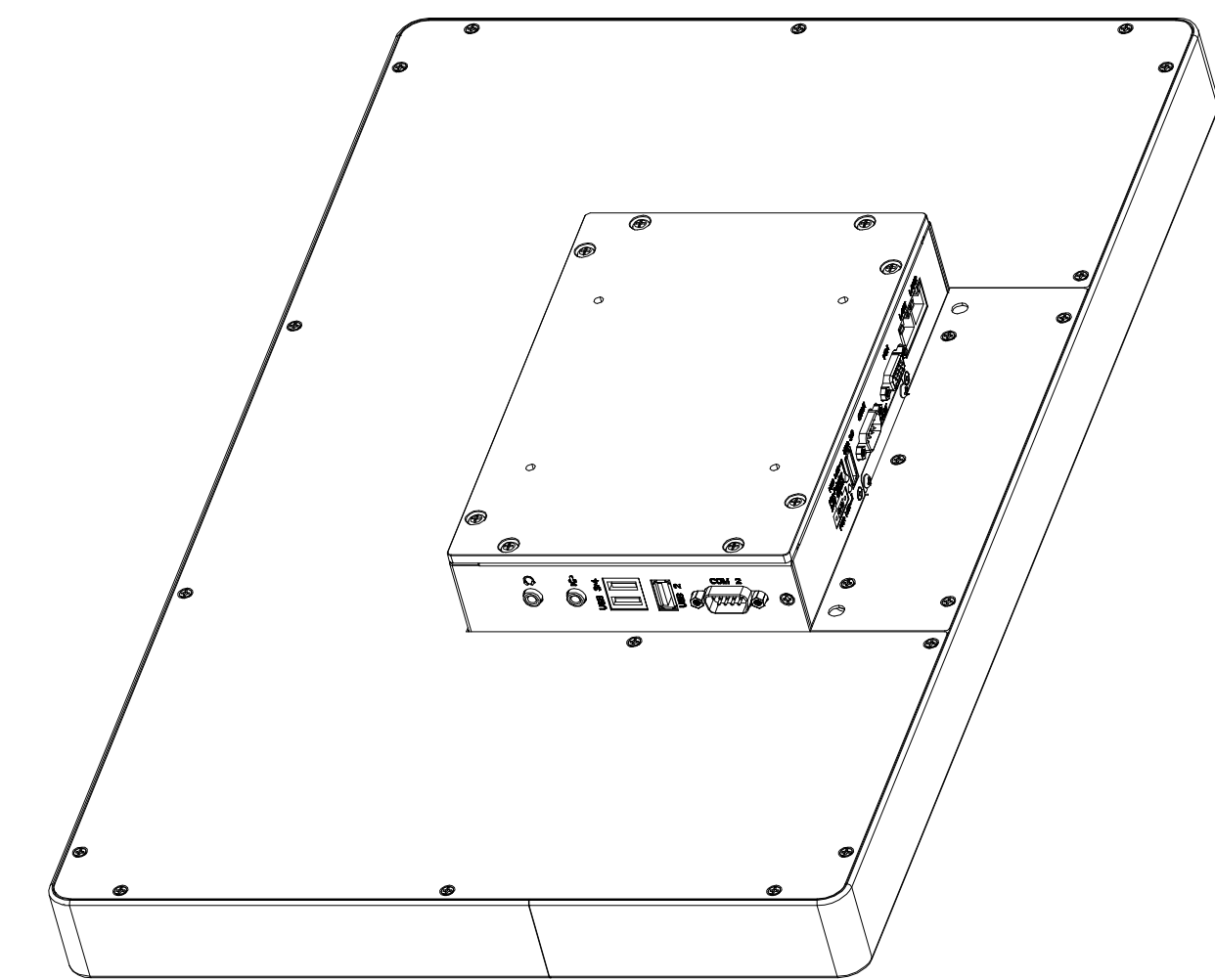
比例 0.500



查看细节 A



细节 A
比例 3.000



比例 0.350

ZONE	REV	DESCRIPTION	DATE	APPROVED
REVISIONS				

The information disclosed on this document is the exclusive property of ARISTA CORPORATION. Reproduction, disclosure, or the use of this document or information without the written permission of ARISTA CORPORATION is prohibited.		TOLERANCES	A	B	C	ARISTA CORPORATION 41300 Bayce Rd, Fremont, CA 94538				
		0-30mm	±0.1	±0.25	±0.6	TITLE 0_ARP-3821BP-E01-ARC13300				
30-120mm	±0.15	±0.46	±1.1	DRN	Pellon	DATE	SIZE	FSCM NO.	DWG NO.	REV
120-315mm	±0.2	±0.6	±1.6	CHECKED			D			
>315mm	±0.3	±1.1	±2.5	DESIGN			SCALE	INV. NO.	SHEET	OF

ALL DIMENSIONS IN MILLIMETRES
 THIRD ANGLE PROJECTION