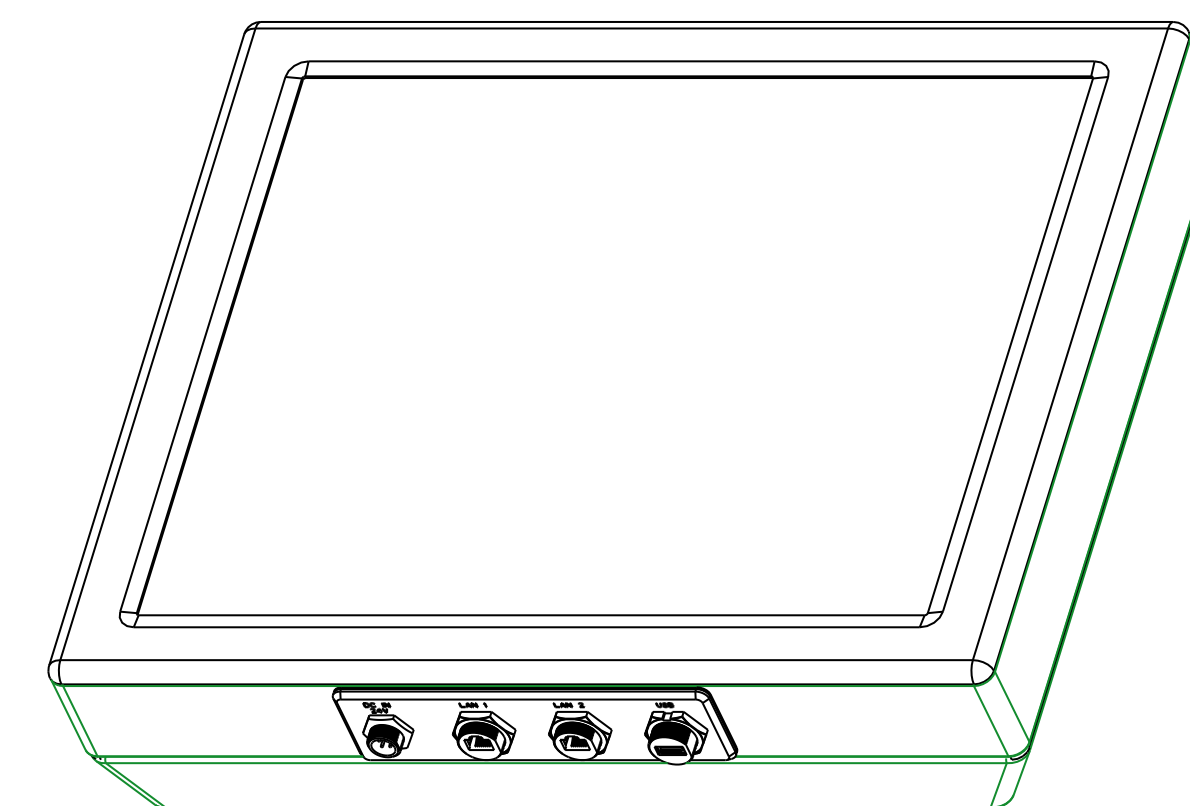
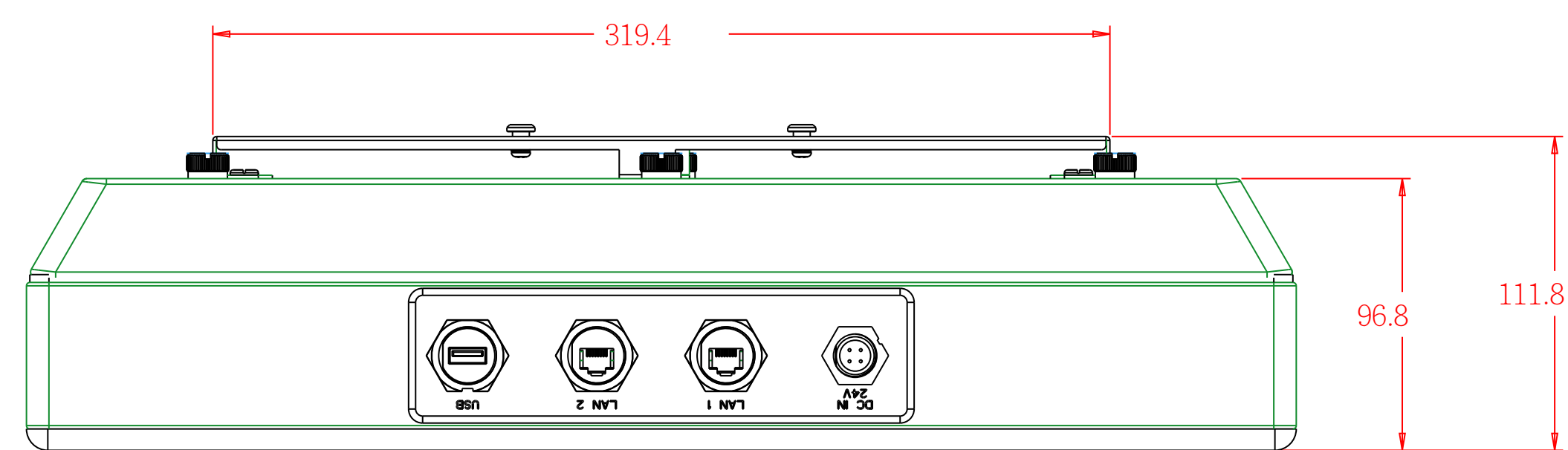
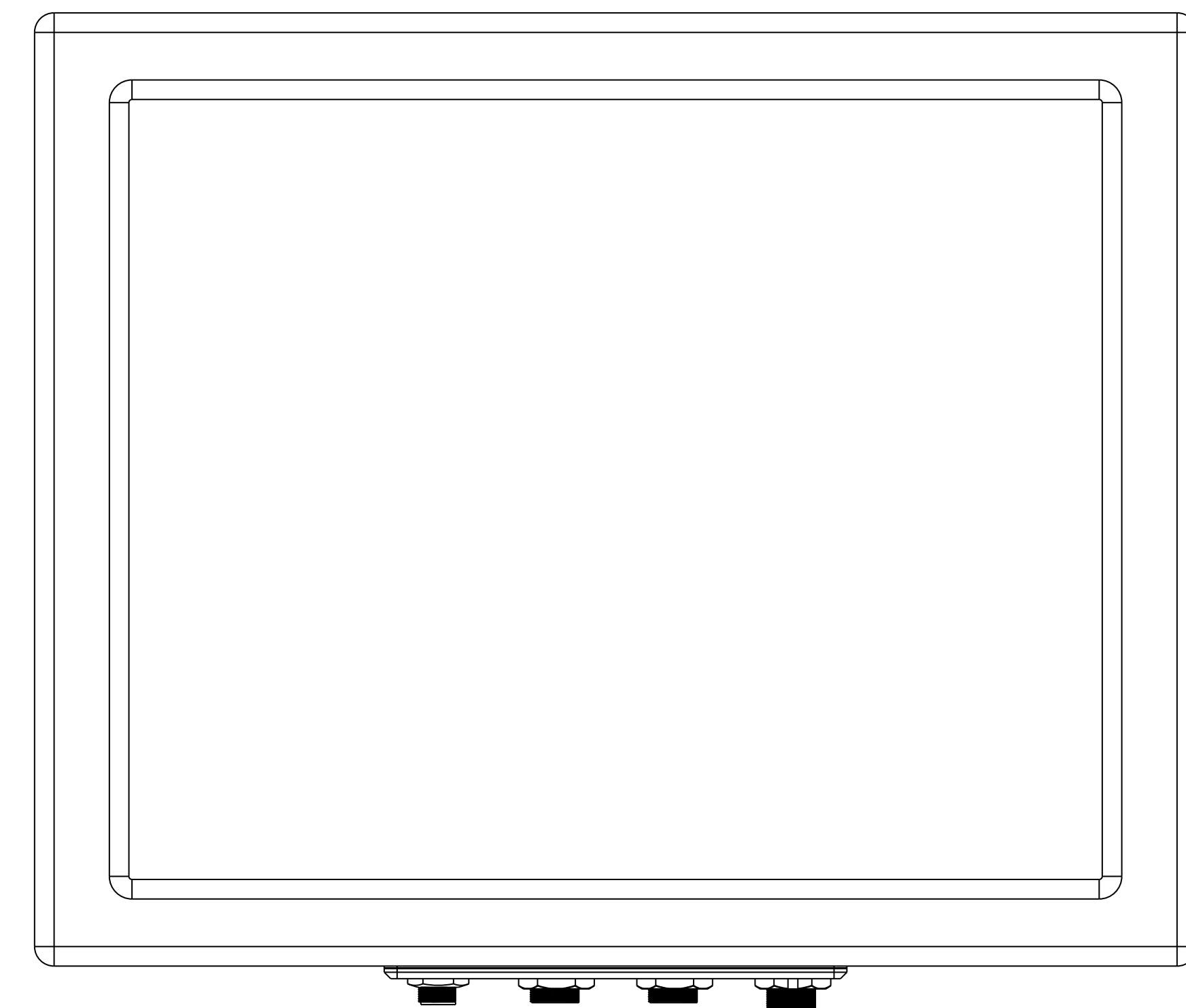
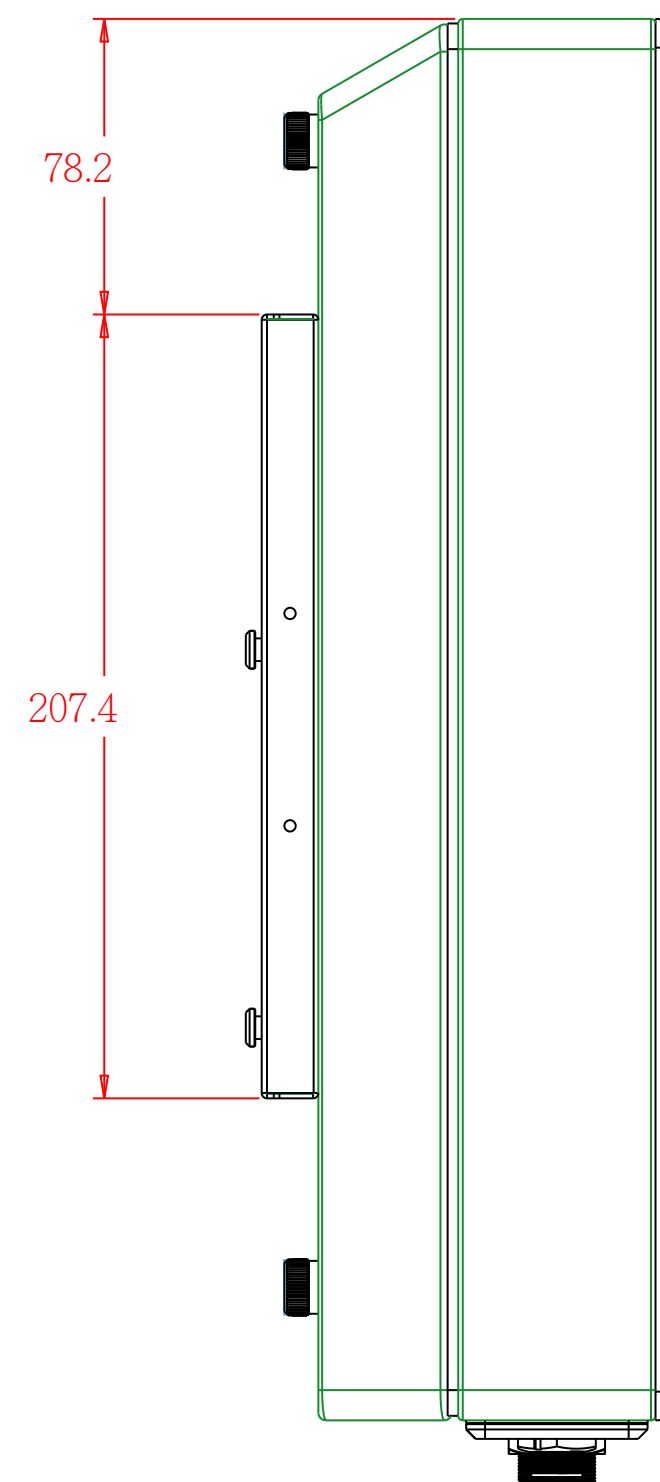
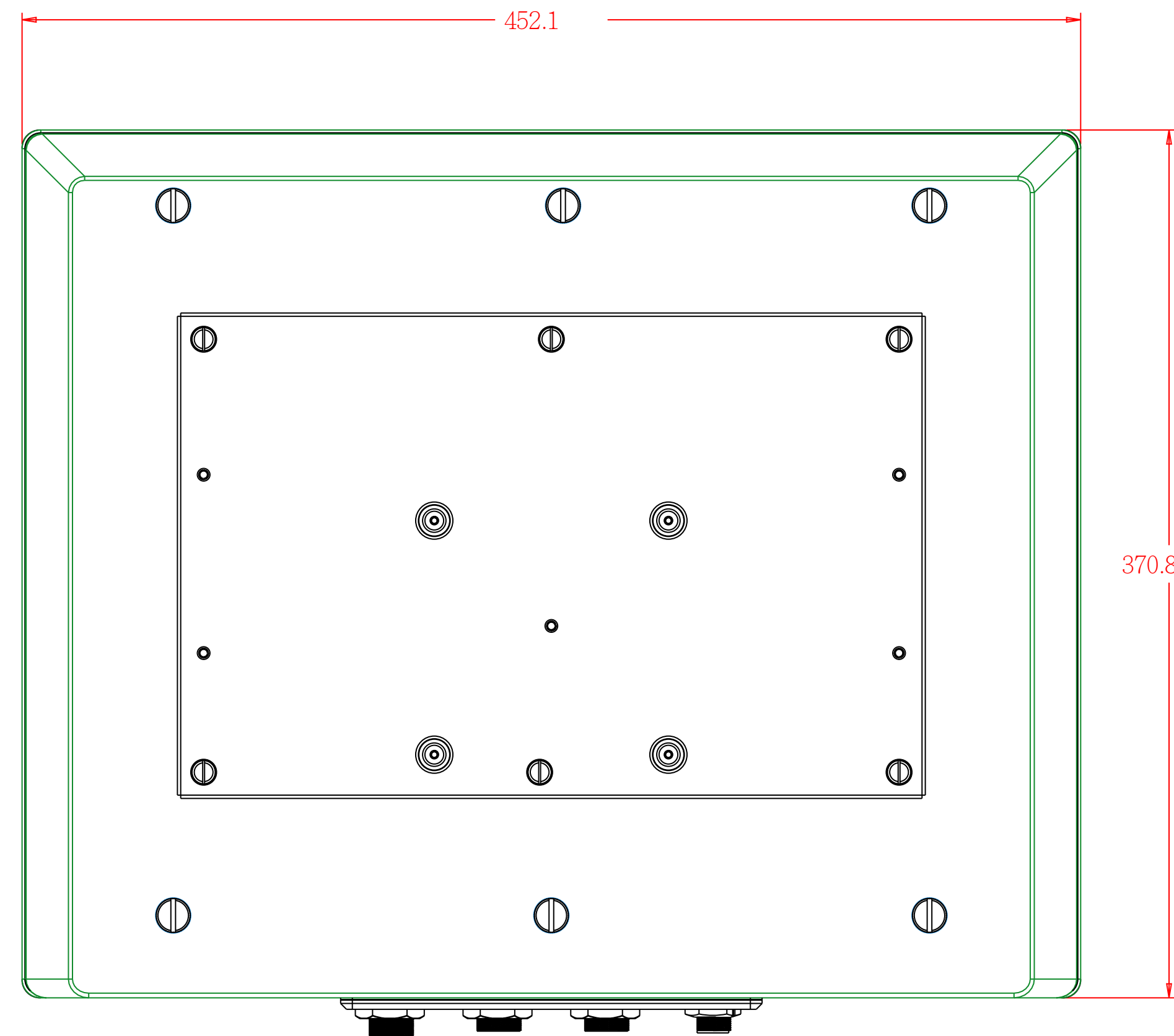
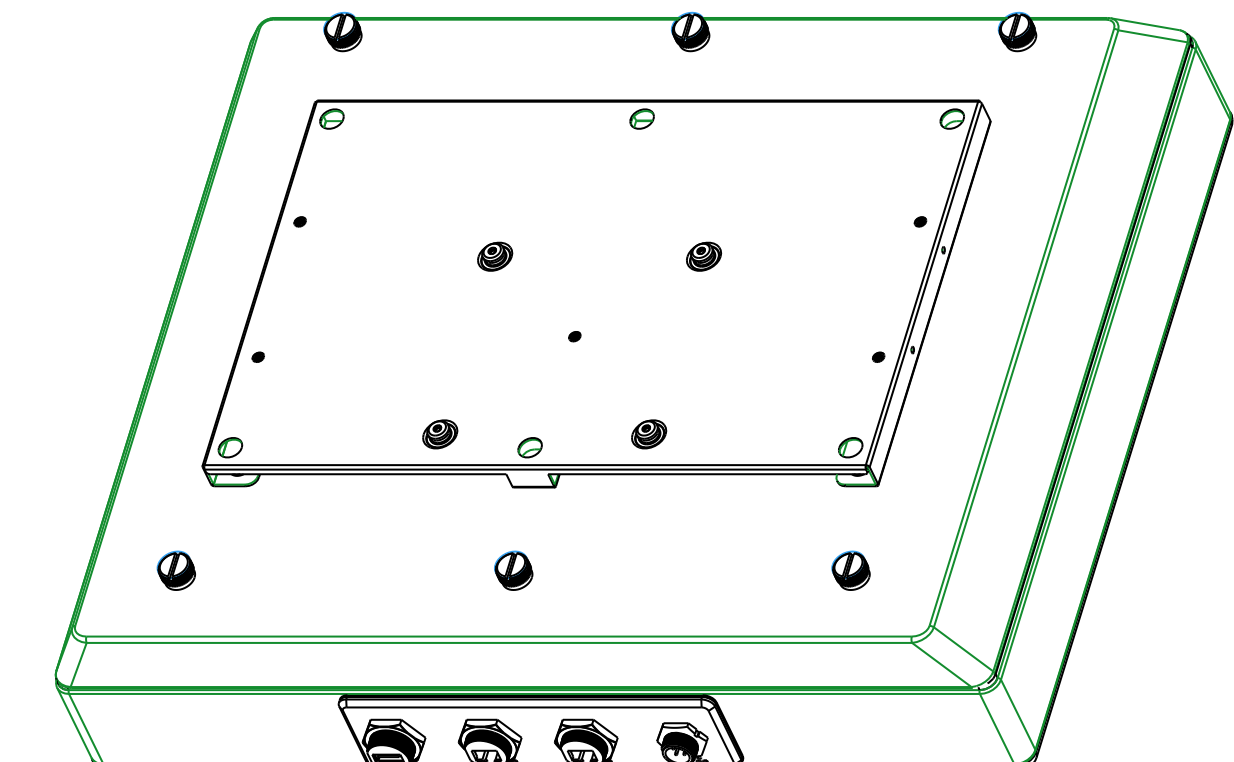


PARTS LIST			
ITEM	QTY	DESCRIPTION	P/N



SCALE 0.300



SCALE 0.300

UNITS:mm

ZONE	REV	DESCRIPTION	DATE	APPROVED
REVISIONS				

<p>The information disclosed on this document is the exclusive property of ARISTA CORPORATION. Reproduction, disclosure, or the use of this document or information without the written permission of ARISTA CORPORATION is prohibited.</p>			<p>UNLESS OTHERWISE SPECIFIED: DIMENSIONS ARE IN INCHES TOLERANCES:</p> <p>DECIMALS ANGULAR .XX .01± ± 0.5° .XXX .003</p>		<p>ARISTA CORPORATION 41300 Boyce Rd, Fremont, CA 94538</p>		
			<p>DRN YoyoSu</p>	<p>DATE 12/16/2016</p>	<p>TITLE ARP-5519AX-E01 ASSEMBLY</p>		
<p>CHECKED</p>	<p>DESIGN</p>	<p>SIZE D</p>	<p>FSCM NO.</p>	<p>DWG NO.</p>	<p>REV</p>		
<p>BCN</p>	<p>LN</p>	<p>CN</p>	<p>SCALE 0.500</p>	<p>INV. NO.</p>	<p>SHEET OF</p>		