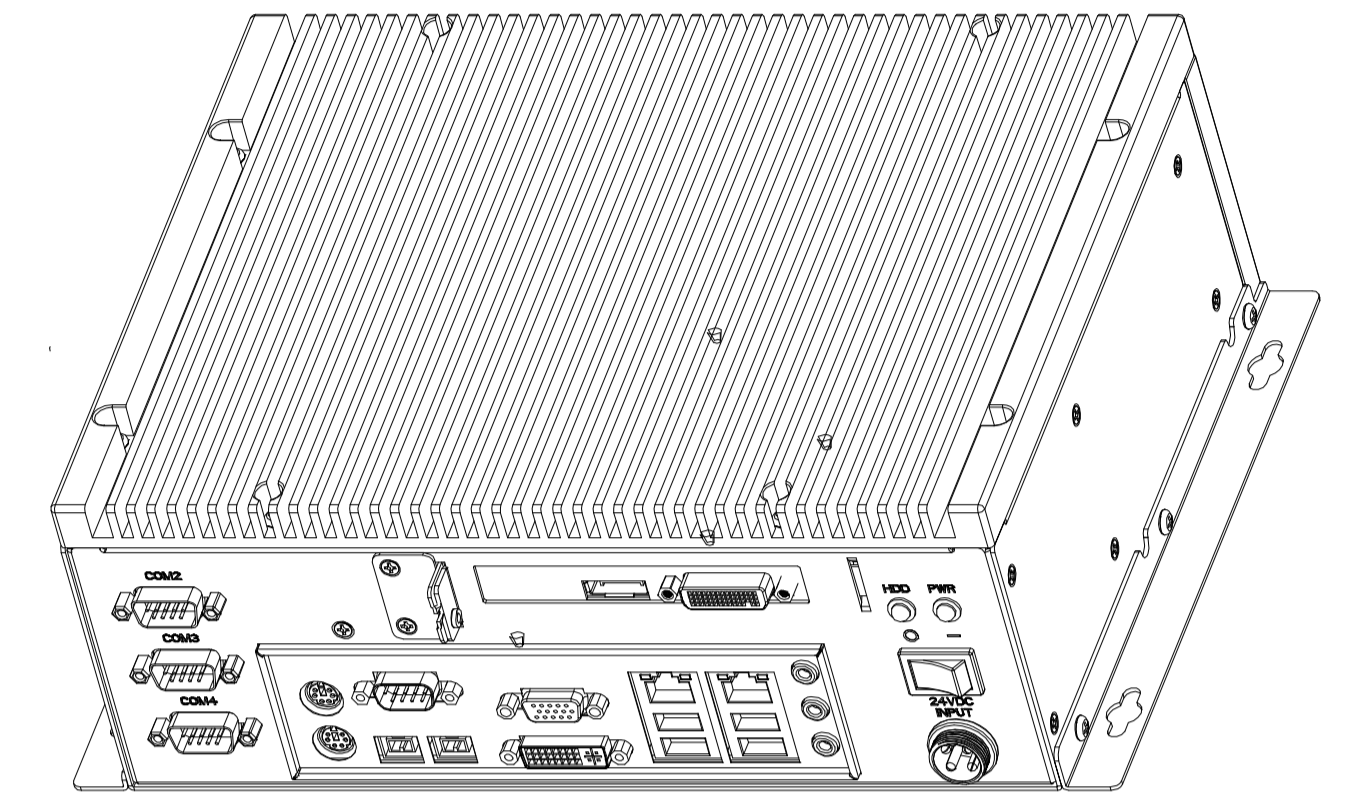
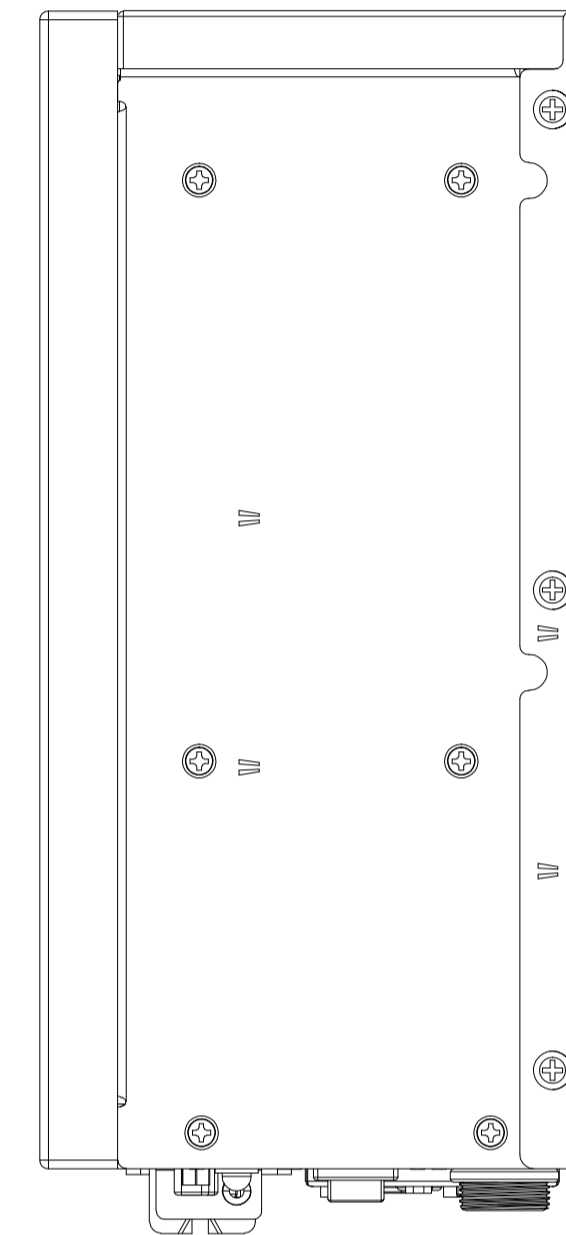
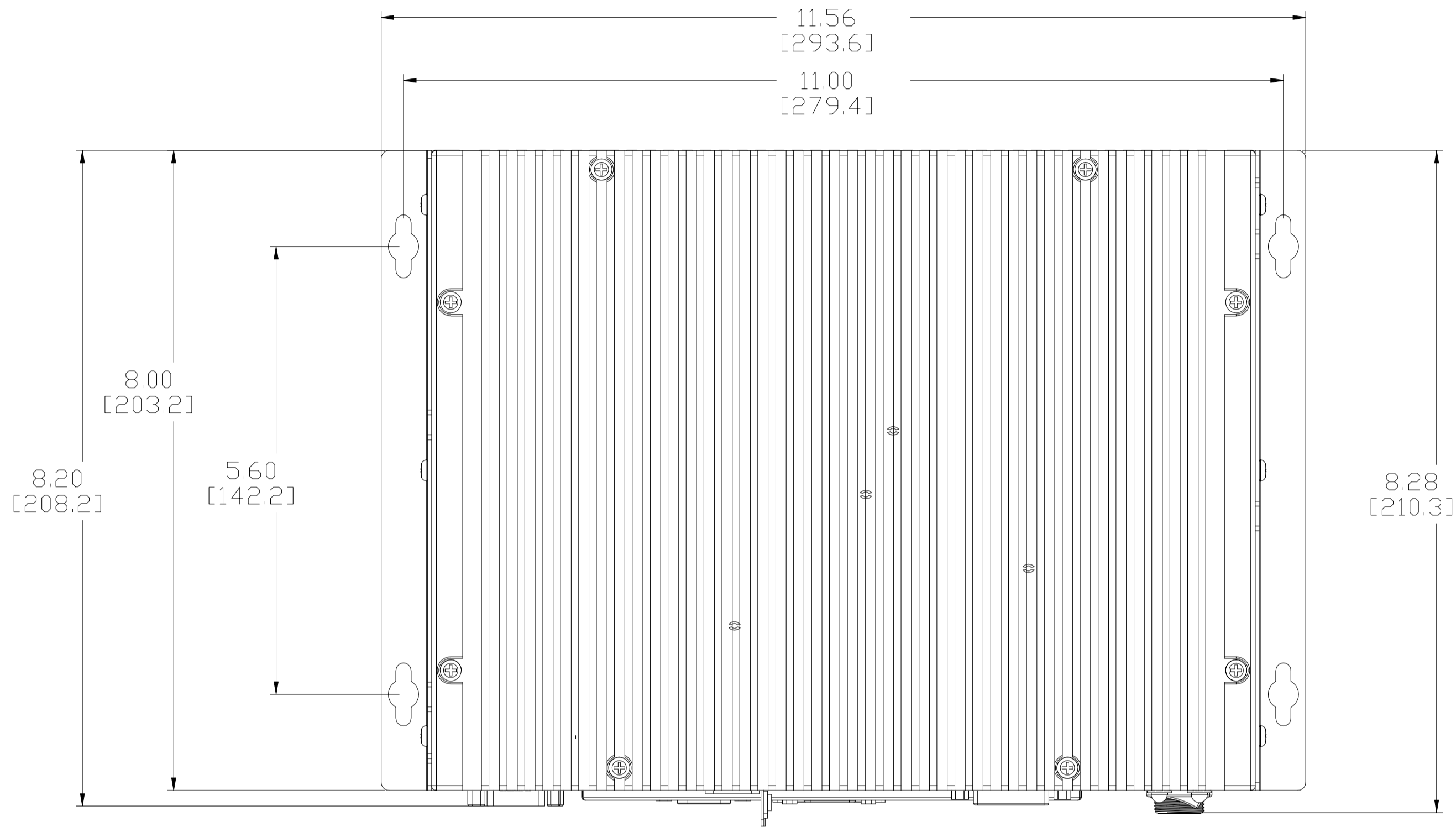
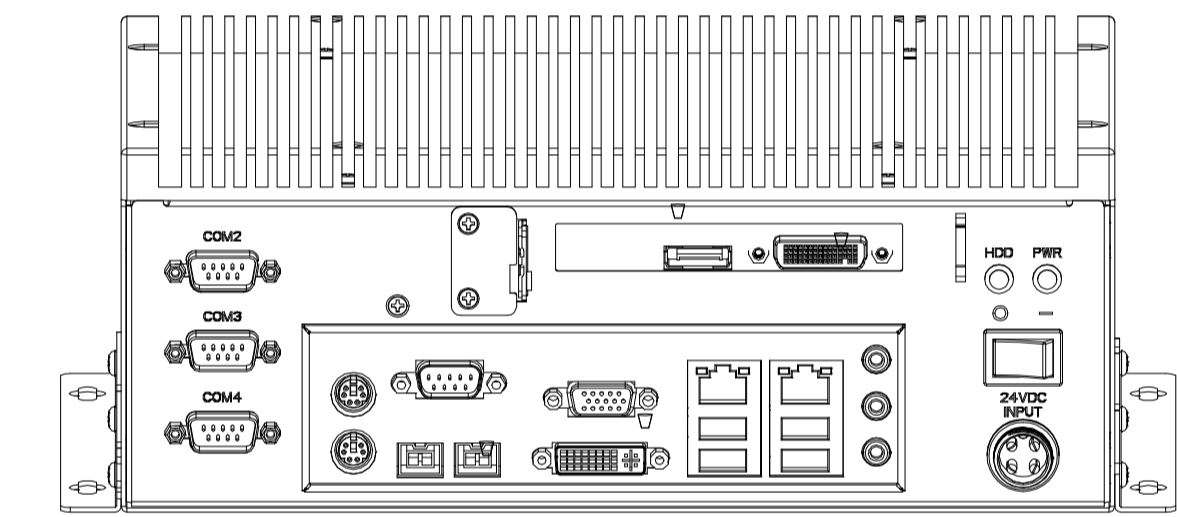


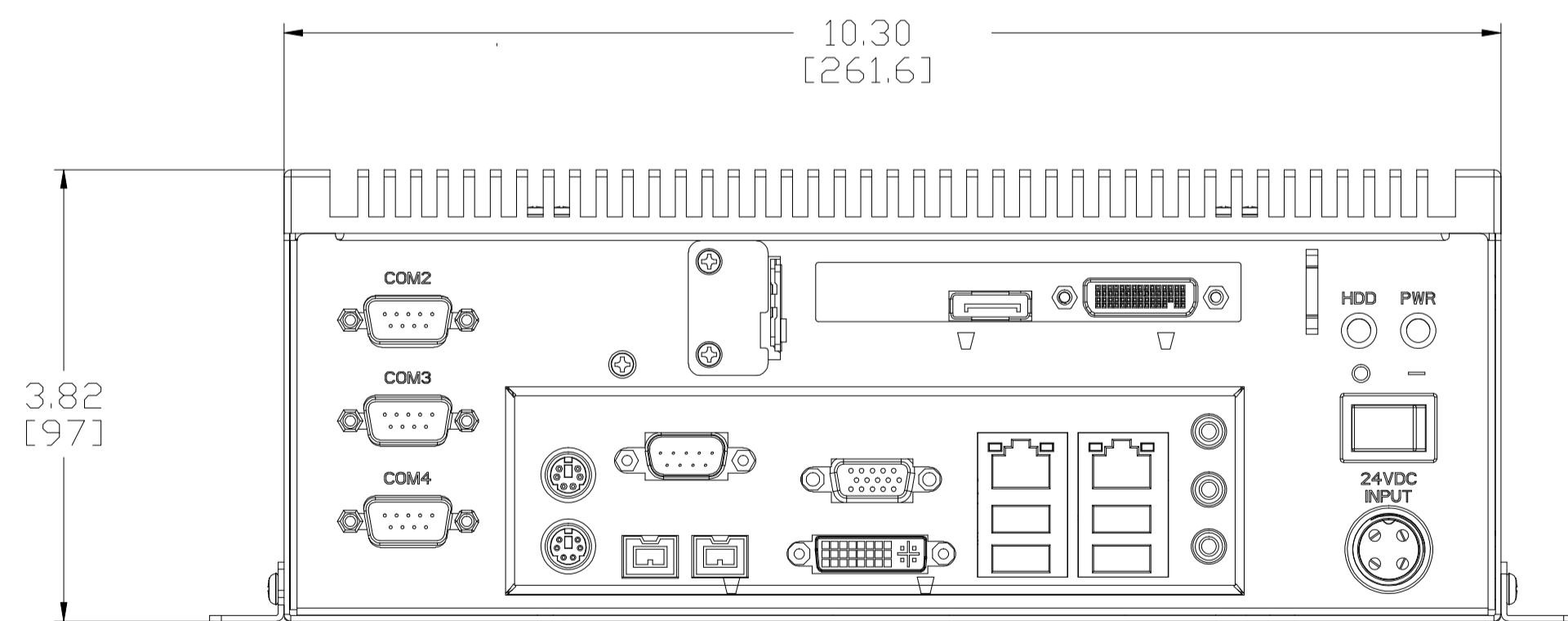
PARTS LIST			
ITEM	QTY	DESCRIPTION	P/N



比例 0.500



比例 0.500



ALL DIMENSIONS IN MILLIMETRES
 THIRD ANGLE PROJECTION

ZONE	REV	DESCRIPTION	DATE	APPROVED
REVISIONS				

<p>The information disclosed on this document is the exclusive property of ARISTA CORPORATION. Reproduction, disclosure, or the use of this document or information without the written permission of ARISTA CORPORATION is prohibited.</p>	TOLERANCES	A	B	C	ARISTA CORPORATION 41300 Bayce Rd, Fremont, CA 94538 TITLE 0_BOXPC-138D_ARJ7900
	0-30mm	±0.1	±0.25	±0.6	
	30-120mm	±0.15	±0.46	±1.1	
	120-315mm	±0.2	±0.6	±1.6	
	>315mm	±0.3	±1.1	±2.5	
DRN	Pelton		DATE		
CHECKED			SIZE	FSCM NO.	DWG NO.
DESIGN			SCALE	INV. NO.	SHEET OF

ECN



CN