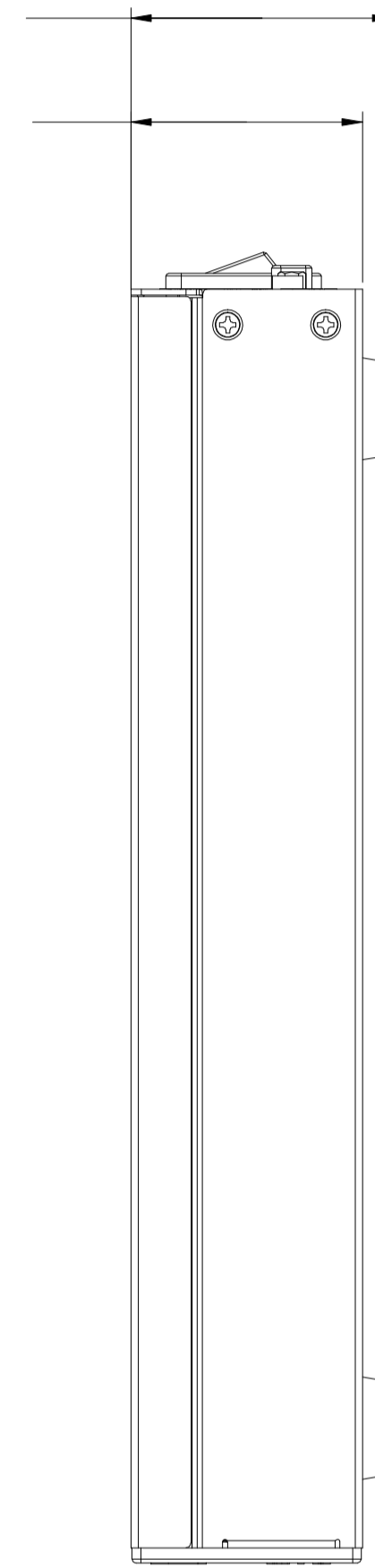
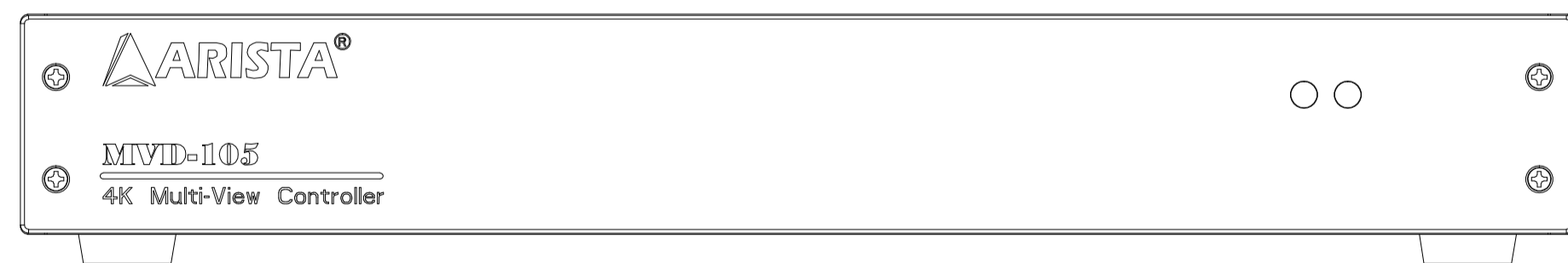
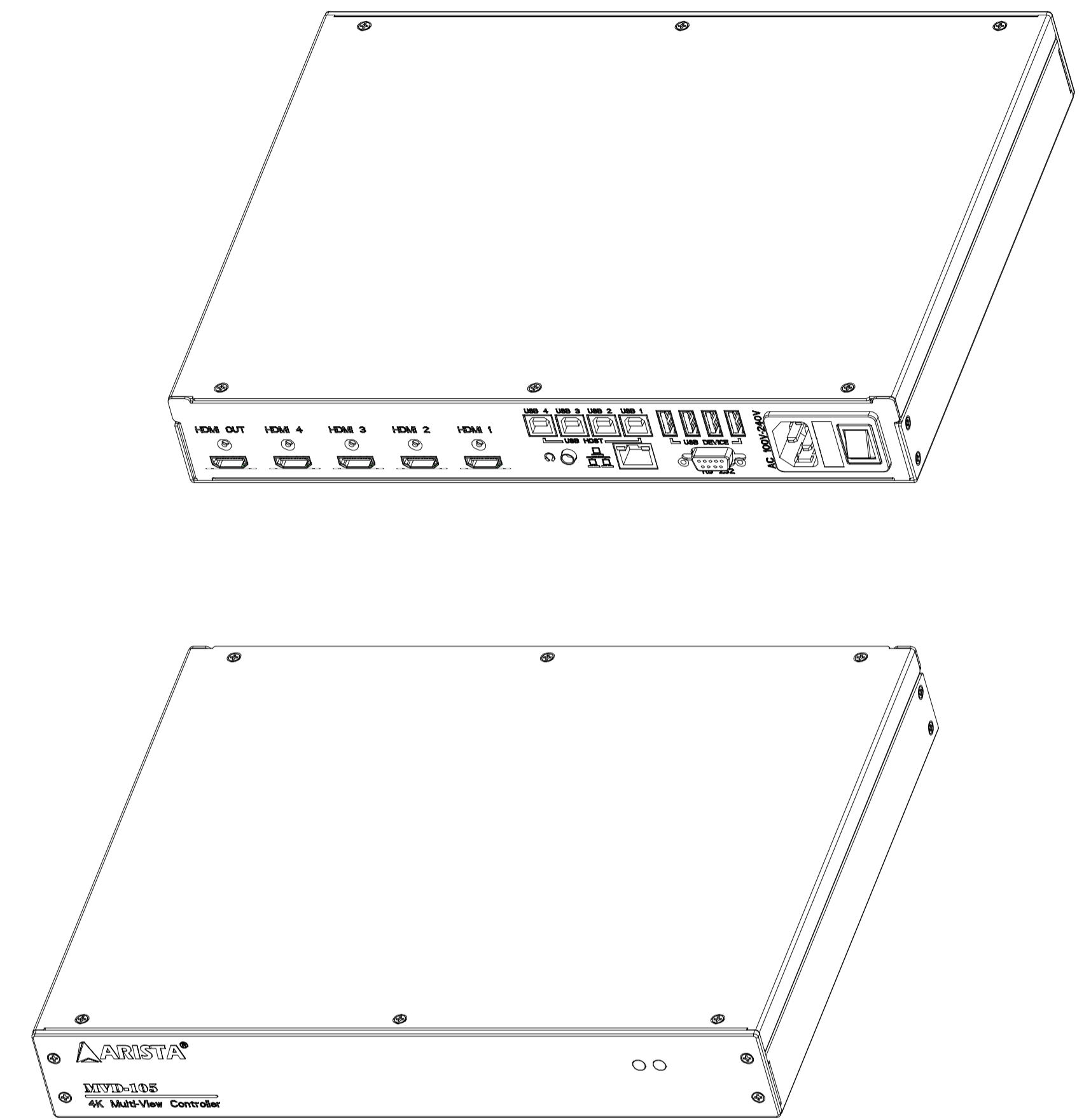


比例 0.750

2.02  
[51.4]  
1.79  
[45.4]



PARTS LIST			
ITEM	QTY	DESCRIPTION	P/N



ALL DIMENSIONS IN MILLIMETRES  
 THIRD ANGLE PROJECTION

ZONE	REV	DESCRIPTION	DATE	APPROVED
------	-----	-------------	------	----------

REVISIONS

<p>The information disclosed on this document is the exclusive property of ARISTA CORPORATION. Reproduction, disclosure, or the use of this document or information without the written permission of ARISTA CORPORATION is prohibited.</p>	TOLERANCES	A	B	C	ARISTA CORPORATION 41300 Bayce Rd, Fremont, CA 94538							
	0-30mm	±0.1	±0.25	±0.6					TITLE			
	30-120mm	±0.15	±0.46	±1.1	0_MVD-105_ARC13000							
	120-315mm	±0.2	±0.6	±1.6								
	>315mm	±0.3	±1.1	±2.5	DATE	9/27/16	SIZE	D	FSCM NO.	DWG NO.	REV	B
ECN		CN	DESIGN	CHECKED	SCALE	1:1	INV. NO.	SHEET	OF			