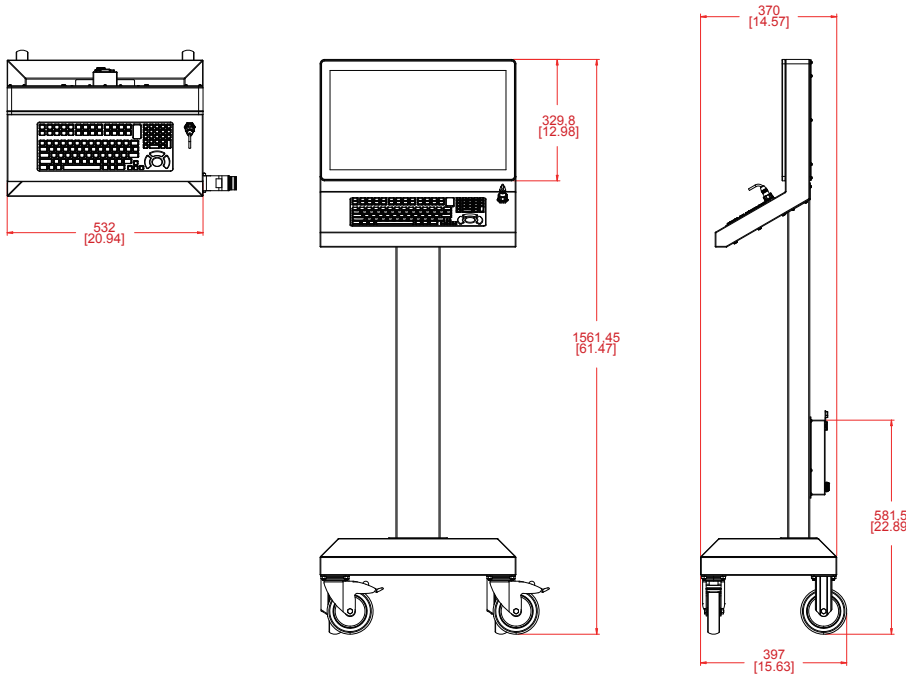




Model Name	AMW-3821AX-E01
Product Specifications	
Display Size	21.5 inch
Max Resolution	1920 x 1080
Backlight Lifetime	50,000 hours
Visual Characteristics	
Colors	16.7 millions
Aspect ratio	16:9
Viewing angle (V/H)	178° / 178°
Response time (Typical)	14 ms
Pixel Pitch (mm)	0.248 x 0.248
Contrast ratio	1000 : 1
Brightness	250 nits
Touchscreen	
Technology	Projected Capacitive
Touch Rating	50 Million Touches
System	
CPU	Intel E3845 1.91GHz Quad Core ATOM CPU
Chipset	Bay Trail
Memory	Up to 8GB DDR3 SO-DIMM
Video Controller	Intel Gen7 Intel Graphics DX 11, OGL3.2
External Video Output	N/A
Storage Option	2.5" HDD, 2.5" SSD, CFast Card
Compact Flash	N/A
Keyboard / Mouse	Emebdded
Audio	N/A
Watchdog Timer	Programmable 1 - 255 sec
Remote Boot	ThinManager Ready, PXE
Expansion Slot	N/A
I/O Communication	
USB Port	1 x USB 2.0
Serial Port	N/A
IEEE 1394	N/A
LAN	1 x Gigabit
Parallel	N/A
GPIO	N/A
Smart Battery	
External Smart Battery	N/A
OS Support	
OS Support	Windows 7 & up
Power/Thermal Specs	
Power Requirement (Max)	24VDC / 1.58A
Power Consumption (Max)	38 W
Recommended Power Supply	55 W
Heat Dissipation	130 BTU/hr
Power/Thermal Specs	
Mounting	
Net Weight	
Physical Dimension (WxHxD)	20.94 x 61.47 x 14.57 inch 531.9 x 1561.3 x 370.1 mm
Recommended Dimension (WxHxD)	N/A
Environmental	
Operating Temperature	0~50°C (32~122°F)
Storage Temperature	-20~60°C (-4~140°F)
Relative Humidity	0~95%
IP/MENA Rating	Meets NEMA 4X
Certification	N/A



Keyboard Option A



Keyboard Option B



Keyboard Option C

Ordering Information			
	AMW-3821AX-E01-007-00A	ARP-3821AX-E01-015-00A	ARP-3821AX-E01-035-00A
Touch	Projected capacitive	Projected capacitive	Projected capacitive
Bezel	Stainless Steel	Stainless Steel	Stainless Steel
CPU	E3845 ATOM CPU	E3845 ATOM CPU	E3845 ATOM CPU
Memory	4GB DDR3	8GB DDR3	8GB DDR3
Storage	N/A	2.5" SATA HDD	2.5" SATA SSD
Keyboard Option	Keyboard Option A	Keyboard Option A	Keyboard Option A
ThinManager Ready	YES	N/A	N/A
Power Supply	110/220VAC Input	110/220VAC Input	110/220VAC Input
Operating System	N/A	Optional	Optional
	AMW-3821AX-E01-007-00B	ARP-3821AX-E01-015-00B	ARP-3821AX-E01-035-00B
Touch	Projected capacitive	Projected capacitive	Projected capacitive
Bezel	Stainless Steel	Stainless Steel	Stainless Steel
CPU	E3845 ATOM CPU	E3845 ATOM CPU	E3845 ATOM CPU
Memory	4GB DDR3	8GB DDR3	8GB DDR3
Storage	N/A	2.5" SATA HDD	2.5" SATA SSD
Keyboard Option	Keyboard Option B	Keyboard Option B	Keyboard Option B
ThinManager Ready	YES	N/A	N/A
Power Supply	110/220VAC Input	110/220VAC Input	110/220VAC Input
Operating System	N/A	Optional	Optional
	AMW-3821AX-E01-007-00C	ARP-3821AX-E01-015-00C	ARP-3821AX-E01-035-00C
Touch	Projected capacitive	Projected capacitive	Projected capacitive
Bezel	Stainless Steel	Stainless Steel	Stainless Steel
CPU	E3845 ATOM CPU	E3845 ATOM CPU	E3845 ATOM CPU
Memory	4GB DDR3	8GB DDR3	8GB DDR3
Storage	N/A	2.5" SATA HDD	2.5" SATA SSD
Keyboard Option	Keyboard Option C	Keyboard Option C	Keyboard Option C
ThinManager Ready	YES	N/A	N/A
Power Supply	110/220VAC Input	110/220VAC Input	110/220VAC Input
Operating System	N/A	Optional	Optional