

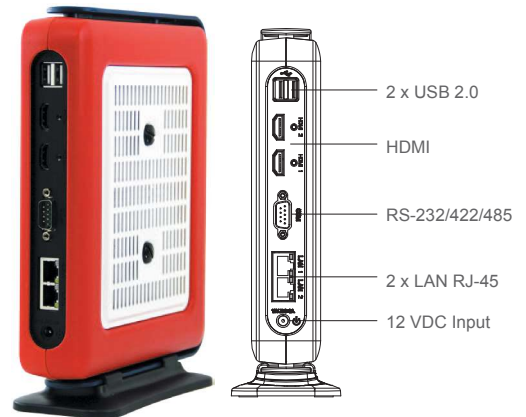
AP-3500-E01

Dual HDMI Output Office Grade Thin Client

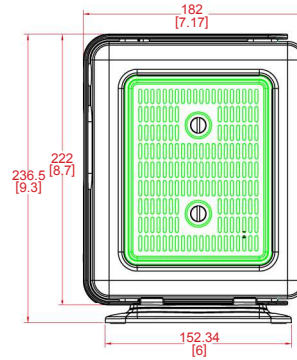
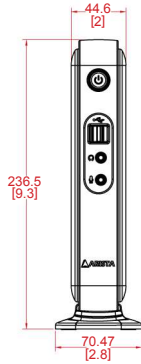


THINMANAGER

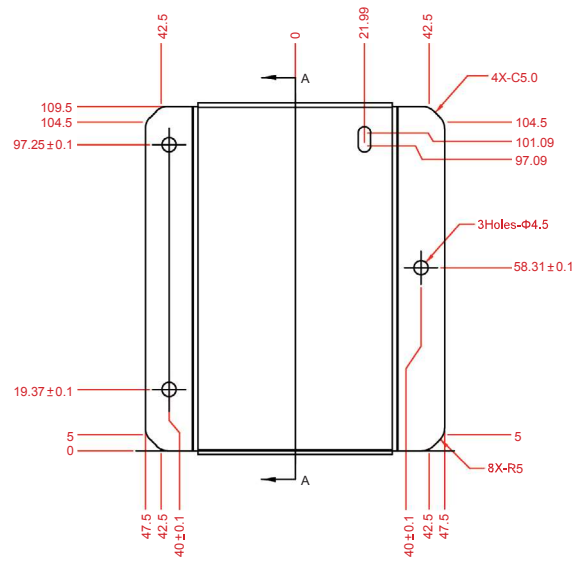
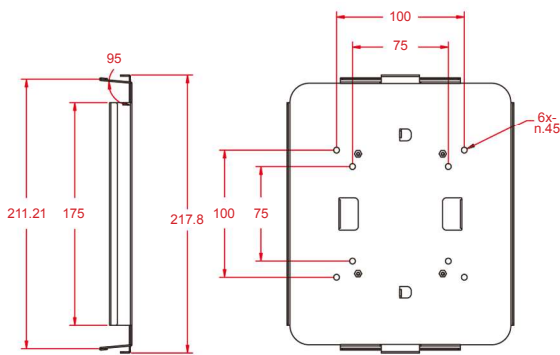
Specifications	AP-3500-E01
System	
CPU	Intel E3845 1.91GHz ATOM CPU
Chipset	(By CPU)
Memory	4GB DDR3 SO-DIMM
Video Controller	Intel Gen7 Intel Graphics DX 11, OGL3.2
External Video Output	Dual HDMI
Storage Option	CFast card
Compact Flash	N/A
Keyboard/Mouse	USB
Audio	N/A
Watchdog Timer	YES
Remote Boot	ACP, PXE
I/O Communication	
USB Port	1 x USB 3.0, 3 x USB 2.0
Serial Port	1 x RS-232/422/485
LAN	2 x Gigabit
Parallel	N/A
GPIO	N/A
ThinManager Support	
ThinManager Support	ThinManager 6 & Up
Power / Thermal Specs	
Power Requirement (Max)	12VDC / 1.05A
Power Consumption (Max)	13 W
Recommended Power Supply	18 W
Heat Dissipation	43 BTU/hr
Physical Information	
Mounting	Desktop, VESA Mount option
Net Weight	2.75 Lbs / 1.2 Kg
Physical Dimension (WxHxD)	2.77 x 9.31 x 7.14 inch 70.5 x 236.5 x 181.0 mm
Recommended cutout Dimension (WxH)	N/A
Environmental	
Operating Temperature	0~35°C (32~95°F)
Storage Temperature	-20~60°C (-4~140°F)
Relative Humidity	0~95%
IP/NEMA Rating	N/A
Certification	FCC, CE, UL 60950-1



Ordering Information	AP-3500-E01-003	AP-3500-E01-P03
CPU	E3845 ATOM CPU	E3845 ATOM CPU
Memory	4GB DDR3	4GB DDR3
Storage	N/A	N/A
Remote Boot	ACP Enable	PXE
Power Supply	110/220VAC Input	110/220VAC Input



Dimensional Drawing



VESA Mount Bracket (optional)
Ordering Code: VESA-3500

