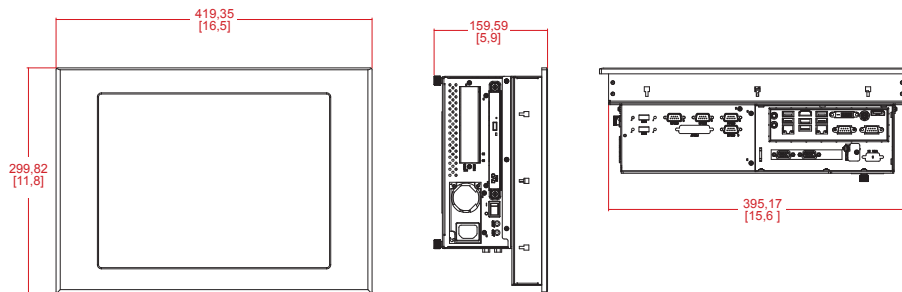


Specifications	ARP-1715AP-108-G00	ARP-1715BW-108-G00	ARP-1717AP-108-G00	ARP-1719AP-108-G00
<b>LCD Display</b>				
Display Size (Diagnol)	15.0 inch	15.0 inch	17.0 inch	19.0 inch
Resolution	1024 x 768	1024 x 768	1280 x 1024	1280 x 1024
Backlight Lifetime (Hours)	50,000	50,000	50,000	50,000
<b>Visual Characteristics</b>				
Colors	16.7 millions	16.7 millions	16.7 millions	16.7 millions
Aspect ratio	4:3	4:3	5:4	5:4
Viewing angle (V/H)	140° / 160°	140° / 160°	140° / 160°	160° / 170°
Response time (Typical)	8 ms	8 ms	30 ms	5 ms
Pixel Pitch (mm)	0.264 x 0.264	0.264 x 0.264	0.264 x 0.264	0.297 x 0.297
Contrast ratio	700 : 1	700 : 1	800 : 1	1000 : 1
Brightness	300 nits	300 nits	350 nits	450 nits
<b>Touch Screen</b>				
Technology	5 Wire Resistive	5 Wire Resistive	5 Wire Resistive	5 Wire Resistive
Touch rating	35 million touches	35 million touches	35 million touches	35 million touches
MTBF	490,000 hours	490,000 hours	490,000 hours	490,000 hours
Interface	USB	USB	USB	USB
Driver	WinXP Pro, Win7 Pro, Win Embedded 7	WinXP Pro, Win7 Pro, Win Embedded 7	WinXP Pro, Win7 Pro, Win Embedded 7	WinXP Pro, Win7 Pro, Win Embedded 7
<b>Front Bezel</b>				
NEMA 4	Black Powder Coated	Black Powder Coated	Black Powder Coated	Black Powder Coated
NEMA 4x	Stainless Steel (Optional)	N/A	Stainless Steel (Optional)	Stainless Steel (Optional)
Rack Mount Bezel	N/A	N/A	N/A	N/A
<b>System</b>				
CPU	Intel i7 mobile Processor	Intel i7 mobile Processor	Intel i7 mobile Processor	Intel i7 mobile Processor
Chipset	Intel Q77	Intel Q77	Intel Q77	Intel Q77
Memory	Up to 16GB DDR3	Up to 16GB DDR3	Up to 16GB DDR3	Up to 16GB DDR3
Video Controller	Intel HD Graphics 4000	Intel HD Graphics 4000	Intel HD Graphics 4000	Intel HD Graphics 4000
2nd Video Interface	DVI, HDMI, Display Port	DVI, HDMI, Display Port	DVI, HDMI, Display Port	DVI, HDMI, Display Port
Storage Option	UP to 2 x 2.5" SATA HDD	UP to 2 x 2.5" SATA HDD	UP to 2 x 2.5" SATA HDD	UP to 2 x 2.5" SATA HDD
Compact Flash	N/A	N/A	N/A	N/A
Keyboard / Mouse	1 x PS / 2 connector	1 x PS / 2 connector	1 x PS / 2 connector	1 x PS / 2 connector
Audio	Line in, Line Out, Mic-In	Line in, Line Out, Mic-In	Line in, Line Out, Mic-In	Line in, Line Out, Mic-In
Watchdog Timer	Programmable 1 - 255 sec	Programmable 1 - 255 sec	Programmable 1 - 255 sec	Programmable 1 - 255 sec
Remote Boot	PXE	PXE	PXE	PXE
Expansion Slot	1 x PCIe x16	1 x PCIe x16	1 x PCIe x16	1 x PCIe x16
<b>I/O Communication</b>				
USB Port	4 x USB 3.0, 2 x USB 2.0	4 x USB 3.0, 2 x USB 2.0	4 x USB 3.0, 2 x USB 2.0	4 x USB 3.0, 2 x USB 2.0
Serial Port	2 x RS-232/422/485	2 x RS-232/422/485	2 x RS-232/422/485	2 x RS-232/422/485
IEEE 1394	N/A	N/A	N/A	N/A
LAN	Dual Gigabit LAN	Dual Gigabit LAN	Dual Gigabit LAN	Dual Gigabit LAN
Parallel	N/A	N/A	N/A	N/A
GPIO	N/A	N/A	N/A	N/A
<b>Smart Battery</b>				
External Smart Battery	N/A	N/A	N/A	N/A
<b>OS Support</b>				
OS Support	WinXP Pro, Win7 Pro, Win Embedded 7	WinXP Pro, Win7 Pro, Win Embedded 7	WinXP Pro, Win7 Pro, Win Embedded 7	WinXP Pro, Win7 Pro, Win Embedded 7
<b>Power / Thermal Specs</b>				
Power Requirement (Max)	110VAC / 0.7A, 220VAC / 0.4A	110VAC / 0.7A, 220VAC / 0.4A	110VAC / 0.9A, 220VAC / 0.5A	110VAC / 0.7A, 220VAC / 0.4A
Power Consumption (Max)	74 W	74 W	96 W	103 W
Heat Dissipation	250 BTU/hr	250 BTU/hr	325 BTU/hr	349 BTU/hr
<b>Physical Information</b>				
Mounting	Panel Mount	Panel Mount	Panel Mount	Panel Mount
Net Weight	27 Lbs / 12 Kg	36 Lbs / 16.15 Kg	29 Lbs / 13.05 Kg	31 Lbs / 14 Kg
Physical Dimension	16.51 x 11.80 x 5.61 inch 419.4 x 299.8 x 142.5 mm	19.00 x 13.88 x 5.77 inch 482.6 x 352.6 x 146.6 mm	16.51 x 11.80 x 6.21 inch 419.4 x 299.8 x 157.7 mm	16.51 x 11.80 x 7.84 inch 419.4 x 299.8 x 199.0 mm
Cutout Dimension (WxH)	15.76 x 11.13 inch 400.3 x 282.7 mm	17.13 x 12.84 inch 435.1 x 326.1 mm	15.76 x 11.13 inch 400.3 x 282.7 mm	15.76 x 11.13 inch 400.3 x 282.7 mm
<b>Environmental</b>				
Operating Temperature	0~50°C (32~122°F)	0~50°C (32~122°F)	0~50°C (32~122°F)	0~50°C (32~122°F)
Storage Temperature	-20~60°C (-4~140°F)	-20~60°C (-4~140°F)	-20~60°C (-4~140°F)	-20~60°C (-4~140°F)
Relative Humidity	0~95%	0~95%	0~95%	0~95%
IP/NEMA Rating	Bezel meets NEMA 4/4X requirement	Bezel meets NEMA 4 requirement	Bezel meets NEMA 4/4X requirement	Bezel meets NEMA 4/4X requirement
Certification	N/A	N/A	N/A	N/A

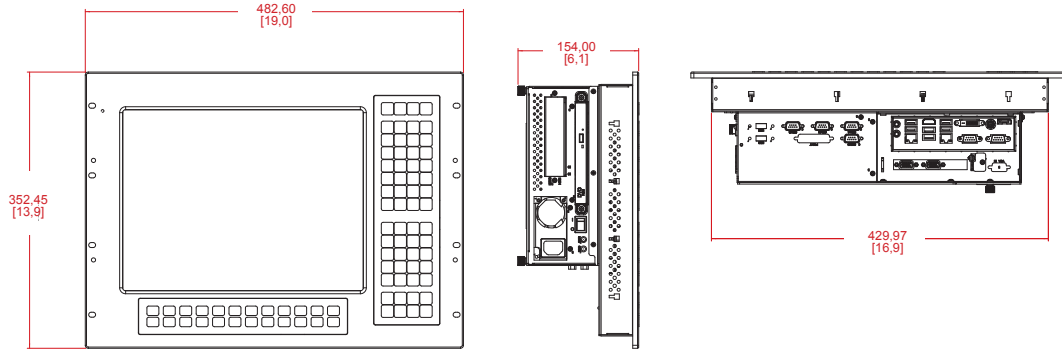
### Ordering Information

	ARP-17XXAP-108-G00-011	ARP-17XXAP-108-G00-031	ARP-17XXAP-108-G00-051	ARP-17XXAP-108-G00-071
LCD Display	Standard	Standard	Standard	Standard
Touch Screen	5-Wire	5-Wire	5-Wire	5-Wire
Bezel	Black Powder Coated	Black Powder Coated	Black Powder Coated	Black Powder Coated
CPU	i7 Desktop	i7 Desktop	i7 Desktop	i7 Desktop
Memory	16GB DDR3	16GB DDR3	16GB DDR3	16GB DDR3
Storage	2.5" SATA HDD	2.5" SATA SSD	Dual 2.5" SATA HDD	Dual 2.5" SATA SSD
RAID	N/A	N/A	Yes	Yes
CD-ROM Drive	Yes	Yes	Yes	Yes
Power Supply	110/220VAC Input	110/220VAC Input	110/220VAC Input	110/220VAC Input
Visual Characteristics	ARP-17XXAP-108-G00-015	ARP-17XXAP-108-G00-035	ARP-17XXAP-108-G00-055	ARP-17XXAP-108-G00-075
LCD Display	Standard	Standard	Standard	Standard
Touch Screen	5-Wire	5-Wire	5-Wire	5-Wire
Bezel	Stainless Steel	Stainless Steel	Stainless Steel	Stainless Steel
CPU	i7 Desktop	i7 Desktop	i7 Desktop	i7 Desktop
Memory	16GB DDR3	16GB DDR3	16GB DDR3	16GB DDR3
Storage	2.5" SATA HDD	2.5" SATA SSD	Dual 2.5" SATA HDD	Dual 2.5" SATA SSD
RAID	N/A	N/A	Yes	Yes
D-ROM Drive	Yes	Yes	Yes	Yes
Power Supply	110/220VAC Input	110/220VAC Input	110/220VAC Input	110/220VAC Input
Touch Screen	ARP-1715BW-108-G00-011	ARP-1715BW-108-G00-031	ARP-1715BW-108-G00-051	ARP-1715BW-108-G00-071
LCD Display	Standard	Standard	Standard	Standard
Touch Screen	5-Wire	5-Wire	5-Wire	5-Wire
Bezel	Black Powder Coated	Black Powder Coated	Black Powder Coated	Black Powder Coated
CPU	i7 Desktop	i7 Desktop	i7 Desktop	i7 Desktop
Memory	16GB DDR3	16GB DDR3	16GB DDR3	16GB DDR3
Storage	2.5" SATA HDD	2.5" SATA SSD	Dual 2.5" SATA HDD	Dual 2.5" SATA SSD
RAID	N/A	N/A	Yes	Yes
D-ROM Drive	Yes	Yes	Yes	Yes
Power Supply	110/220VAC Input	110/220VAC Input	110/220VAC Input	110/220VAC Input

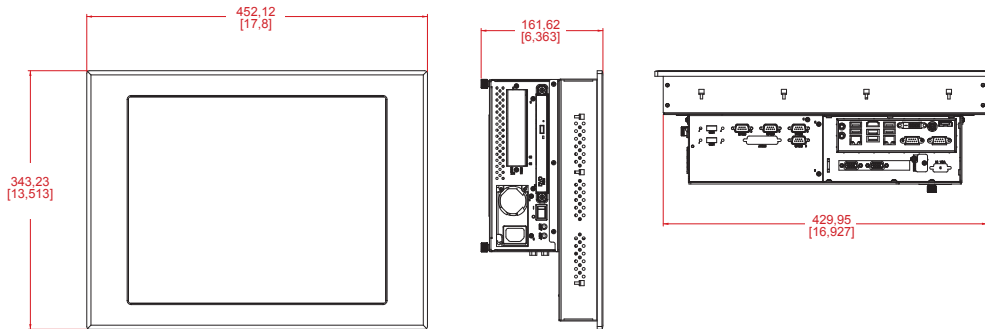
### ARP-1715AP-108-G00



**ARP-1715BW-108-G00**



**ARP-1717AP-108-G00**



**ARP-1719AP-108-G00**

