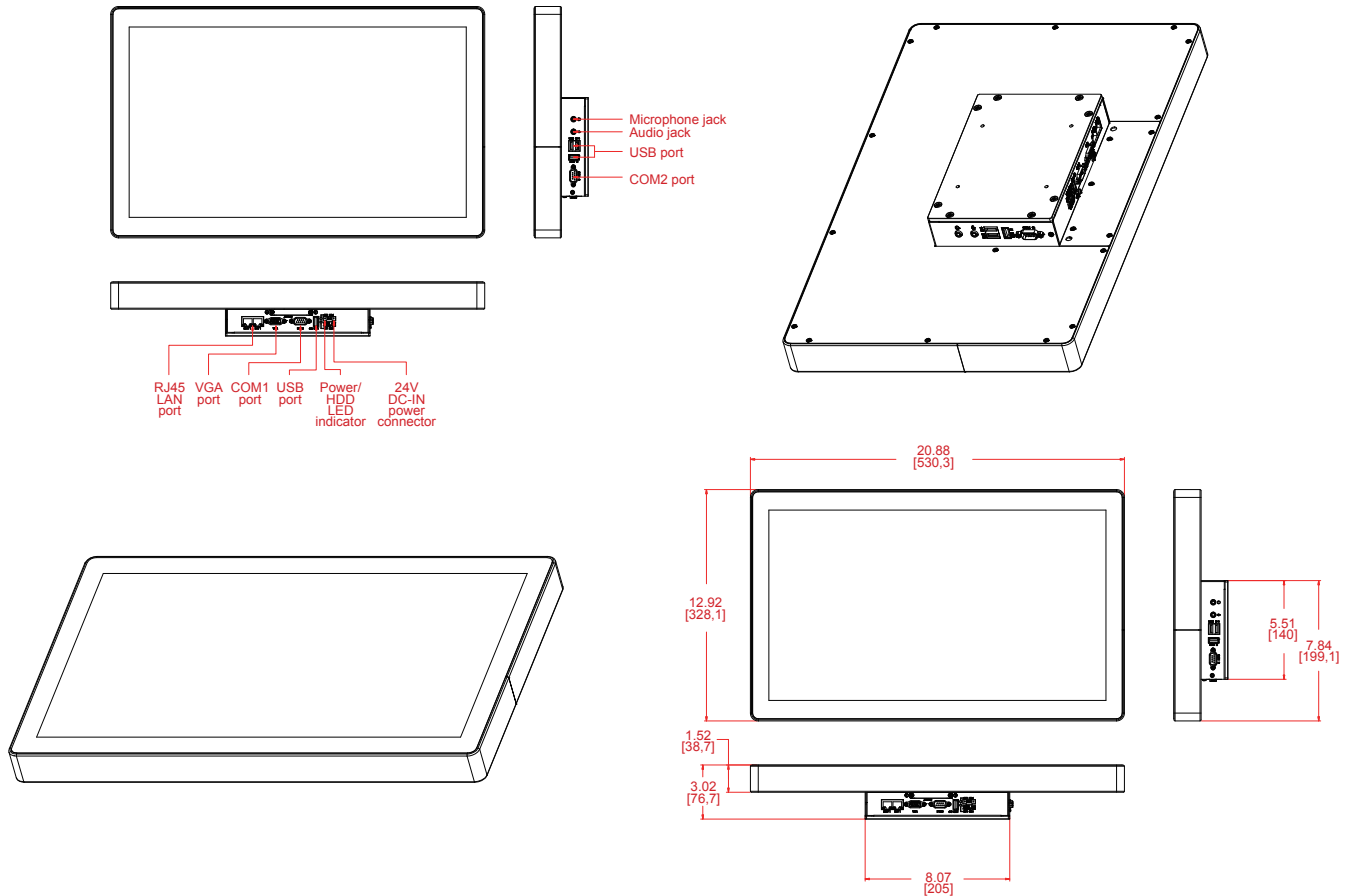


Model Name	ARP-3821BP-E01
LCD Display	
Display Size (Diagnol)	21.5 inch
Resolution	1920 x 1080
Backlight Lifetime	50,000 hours
Visual Characteristics	
Colors	16.7 millions
Aspect ratio	16:9
Viewing angle (V/H)	178° / 178°
Response time (Typical)	14 ms
Pixel Pitch (mm)	0.248 x 0.248
Contrast ratio	1000 : 1
Brightness	250 nits
Touchscreen	
Technology	Projected Capacitive
Touch Rating	50 Million Touches
MTBF	N/A
Interface	USB
System	
CPU	Intel E3845 1.91GHz Quad Core ATOM CPU
Chipset	Bay Trail
Memory	Up to 8GB DDR3 SO-DIMM
Video Controller	Intel Gen7 Intel Graphics DX 11, OGL3.2
External Video Output	VGA
Storage Option	2.5" HDD, 2.5" SSD, CFast Card
Compact Flash	N/A
Keyboard / Mouse	USB
Audio	Line Out, Mic In
Watchdog Timer	Programmable 1 - 255 sec
Remote Boot	ThinManager Ready, PXE
Expansion Slot	N/A
I/O Communication	
USB Port	1 x USB3.0, 3 x USB2.0
Serial Port	2 x RS-232/422/485 BIOS Selectable
IEEE 1394	N/A
LAN	2 x Gigabit
Parallel	N/A
GPIO	N/A
Smart Battery	
External Smart Battery	N/A
OS Support	
OS Support	Windows 7 & up
Power/Thermal Specs	
Power Requirement (Max)	24VDC / 1.58A
Power Consumption (Max)	38 W
Recommended Power Supply	55 W
Heat Dissipation	130 BTU/hr
Power/Thermal Specs	
Mounting	VESA mount
Net Weight	19 Lbs / 8.62 Kg
Physical Dimension (WxHxD)	20.88 x 12.92 x 3.02 inch 530.3 x 328.1 x 76.7 mm
Recommended Dimension (WxHxD)	N/A
Environmental	
Operating Temperature	0~50°C (32~122°F)
Storage Temperature	-20~60°C (-4~140°F)
Relative Humidity	0~95%
IP/MENA Rating	Meets IP50
Certification	N/A

Line Drawing



Ordering Information

	ARP-3821BP-E01-011	ARP-3821BP-E01-031	ARP-3821BP-E01-003	ARP-3821BP-E01-P03
LCD Display	21.5" LCD/1920 x 1080	21.5" LCD/1920 x 1080	21.5" LCD/1920 x 1080	21.5" LCD/1920 x 1080
Touch Screen	Projected Capacitive	Projected Capacitive	Projected Capacitive	Projected Capacitive
Enclosure	IP50 Black	IP50 Black	IP50 Black	IP50 Black
CPU	E3845 ATOM CPU	E3845 ATOM CPU	E3845 ATOM CPU	E3845 ATOM CPU
Memory	8GB DDR3	8GB DDR3	8GB DDR3	8GB DDR3
Storage	2.5" SATA HDD	2.5" SATA HDD	2.5" SATA HDD	2.5" SATA HDD
Remote Boot	N/A	N/A	ThinManager Ready	PXE
Power Supply	110/220VAC Input	110/220VAC Input	110/220VAC Input	110/220VAC Input